



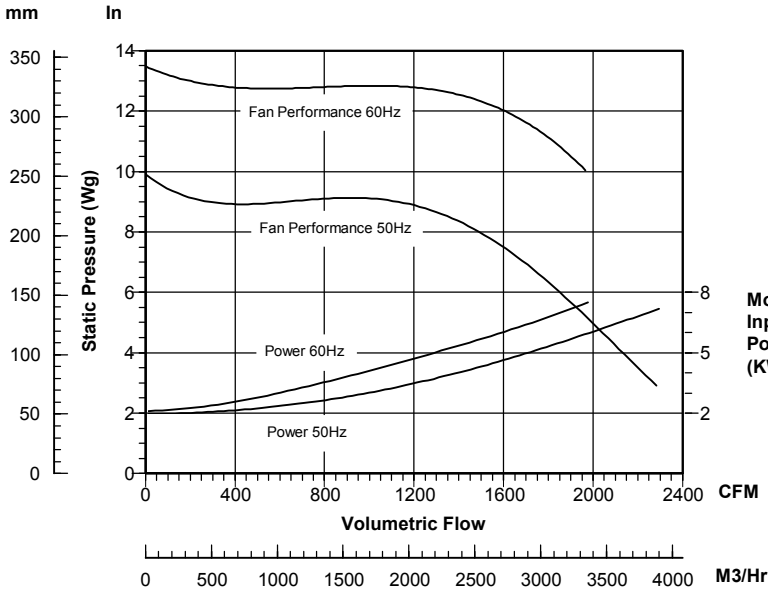
Air Control Industries

centrifugal MR315 (2 pole)

Single Inlet Centrifugal Fan

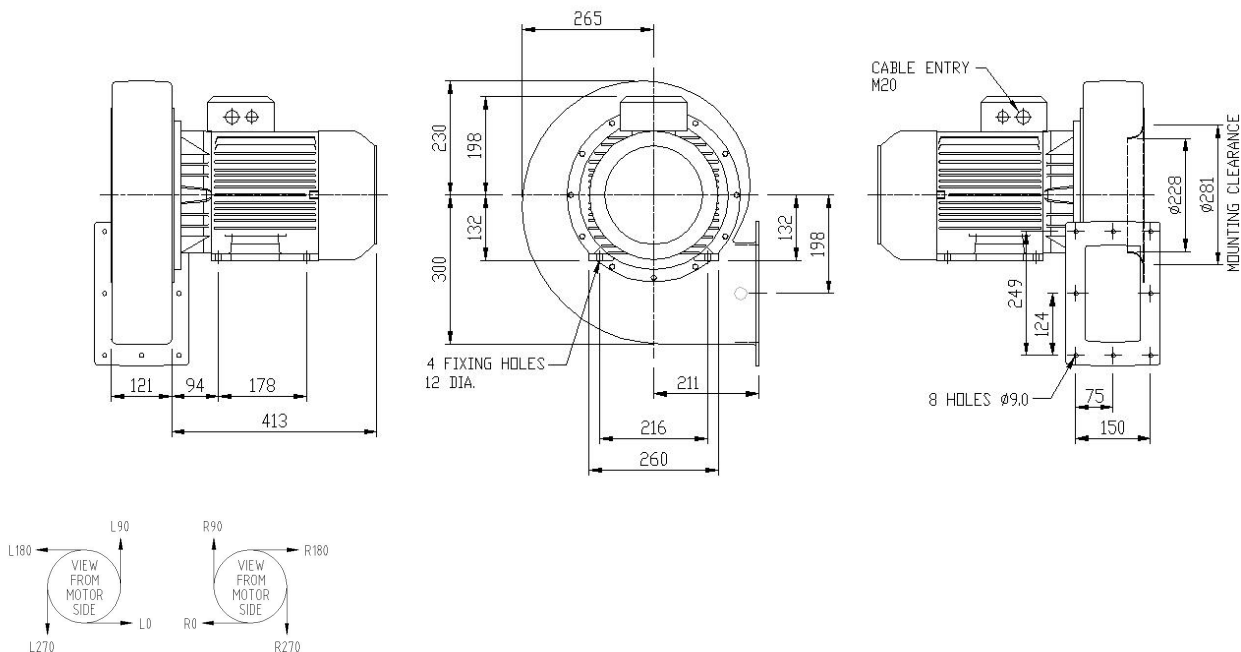
ACI - Effective Air is our Business

Performance details:



Motor type:	Squirrel cage induction motor IP55 as std, IP65 available
Nominal supply:	380/420VY / 200/240VD 3Ph 50Hz 440/480VY / 250/280VD 3Ph 60Hz
Ancillaries:	Inlet and discharge guards, inlet filters, spigots
Materials:	Fancase: cast aluminium LM6 Impellers: galvanised sheet steel
Finishes:	Stove enamel as std
Mounting:	Motor feet or pedestal
Noise levels:	99 dB(A) Free Air, 1 metre
Weight:	51.5Kg
Variations:	Increased safety to ATEX std available

Outline dimensions:



Please note (1) - all drawings measurements are in millimeters (mm)
Please note (2) - above technical specifications are subject to change

AIR CONTROL INDUSTRIES LTD.
 Weycroft Avenue, Millwey Industrial Estate, Axminster, EX13 5HU
 Tel: 0845 5000 501, Fax: 0845 5000 502

AIR CONTROL INDUSTRIES INC.
 76 Augusta Rockland Road, Windsor, ME 04363, USA
 Tel: 207-445-2518, Fax: 207-445-2497

www.aircontrolindustries.com/ sales@aircontrolindustries.com

Ref: Centrifugal MR315 (2P) Iss 10/2



Certificate No. FM20497