



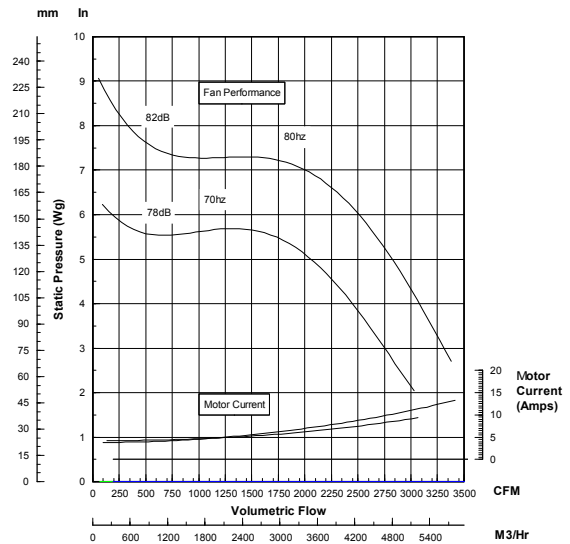
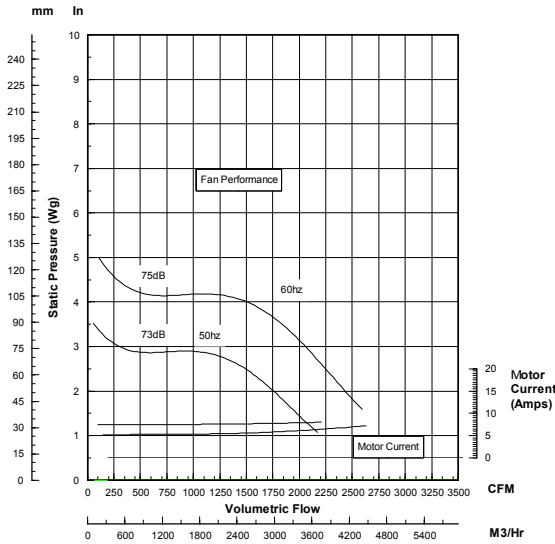
Air Control Industries

# centrifugal MR315W (4 pole) Single Inlet Centrifugal Fan

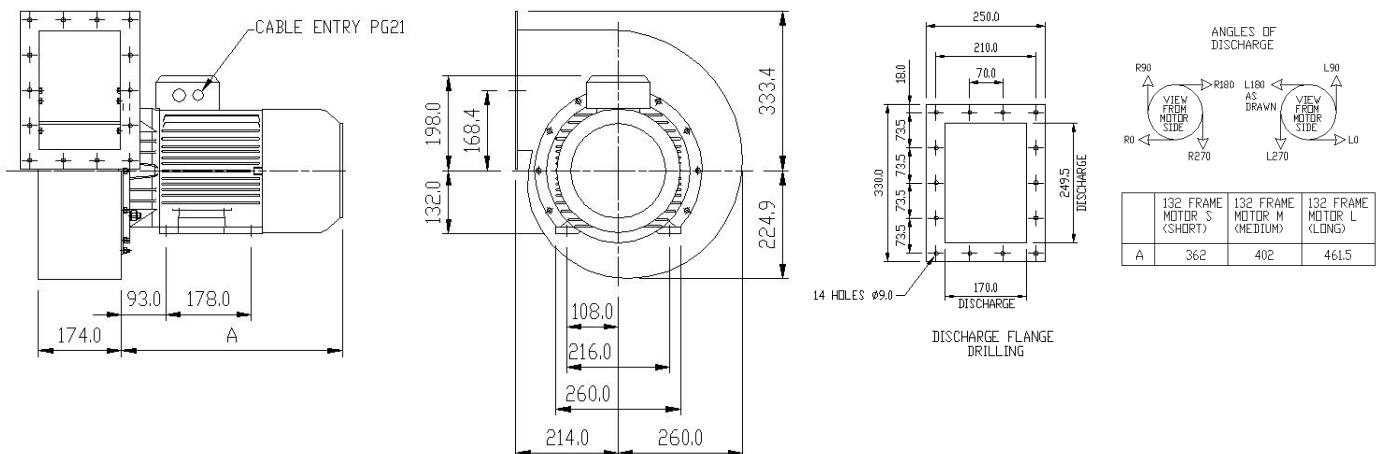
ACI - Effective Air is our Business

## Performance details:

<b>Motor type:</b>	Squirrel cage induction motor IP55 as std, IP65 available
<b>Nominal supply:</b>	380/420VY / 200/240VD 3Ph 50Hz 440/480VY / 250/280VD 3Ph 60Hz
<b>Ancillaries:</b>	Inlet and discharge guards, inlet filters, spigots
<b>Materials:</b>	Fancase: fabricated sheet steel Impellers: galvanised sheet steel
<b>Finishes:</b>	Stove enamel as std
<b>Mounting:</b>	Motor feet or pedestal
<b>Noise levels:</b>	73 dB(A) Free Air, 1 metre - 50Hz
<b>Weight:</b>	73Kg for 2 pole unit
<b>Variations:</b>	Increased safety to ATEX std available



## Outline Dimensions:



**Please note (1)** - all drawings measurements are in millimeters (mm)  
**Please note (2)** - above technical specifications are subject to change

**AIR CONTROL INDUSTRIES LTD.**  
Weycroft Avenue, Millwey Industrial Estate, Axminster, EX13 5HU  
Tel: 0845 5000 501, Fax: 0845 5000 502

**AIR CONTROL INDUSTRIES INC.**  
76 Augusta Rockland Road, Windsor, ME 04363, USA  
Tel: 207-445-2518, Fax: 207-445-2497

[www.aircontrolindustries.com](http://www.aircontrolindustries.com) / [sales@aircontrolindustries.com](mailto:sales@aircontrolindustries.com)

Ref: Centrifugal MR315W (4P) Iss I0/2



Certificate No. FM20497