



Air Control Industries

# multi stage 5MS11 c/w inverter

## Backward Curved, Single Inlet Centrifugal Fan

ACI - Effective Air is our Business

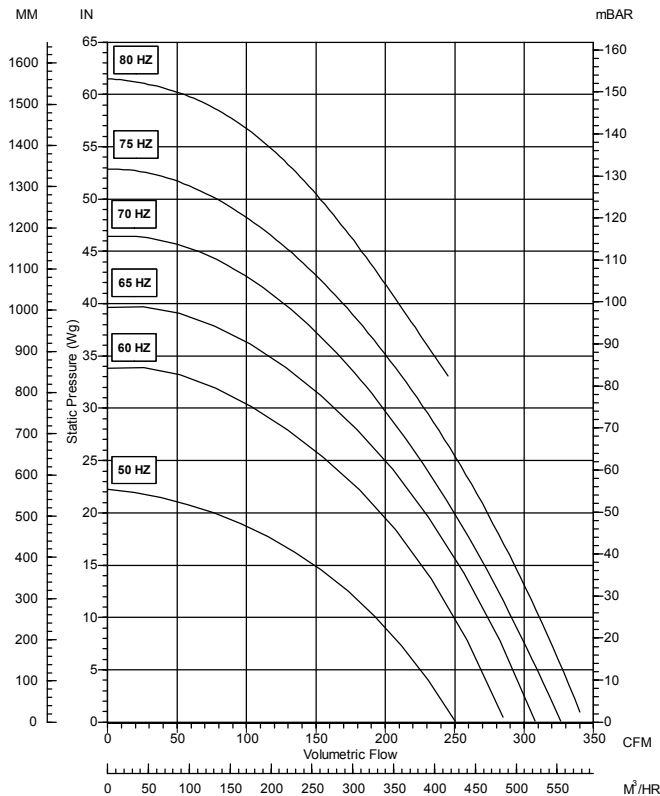
### Performance details:



<b>Nominal supply:</b>	<b>Volts</b>	<b>Ph</b>	<b>Hz</b>
	380/460	3	50/60
	200/240	1	50/60
	200/240	3	50/60
<b>Motor Type Details:</b>	Induction type, 1Ph, capacitor start and run		
<b>Mounting:</b>	With feet, or Wall Mounting Framework		
<b>Materials:</b>	Impeller: Aluminium 1200 H14 Fanscroll: Cast aluminium Stators: White polyester resin		
<b>Bearings:</b>	Ball type, lubricated for life		
<b>Ancillaries:</b>	Inlet and discharge spigots / guards / filtered inlet / speed controllers		
<b>Noise Levels:</b>	On request		

The 5MS11 with inverter is a modular-type blower with backward bladed impellers mounted directly onto the motor shaft giving low noise efficient duty with excellent reliability.

### Performance details:



**Please note (1)** - all drawings measurements are in millimeters (mm)  
**Please note (2)** - above technical specifications are subject to change

**AIR CONTROL INDUSTRIES LTD.**  
 Weycroft Avenue, Millwey Industrial Estate, Axminster, EX13 5HU  
 Tel: 0845 5000 501, Fax: 0845 5000 502

**AIR CONTROL INDUSTRIES INC.**  
 76 Augusta Rockland Road, Windsor, ME 04363, USA  
 Tel: 207-445-2518, Fax: 207-445-2497

[www.aircontrolindustries.com](http://www.aircontrolindustries.com) / [sales@aircontrolindustries.com](mailto:sales@aircontrolindustries.com)

Ref: Multi Stage 5Ms11 Inv Iss 10/1



Certificate No. FM20497

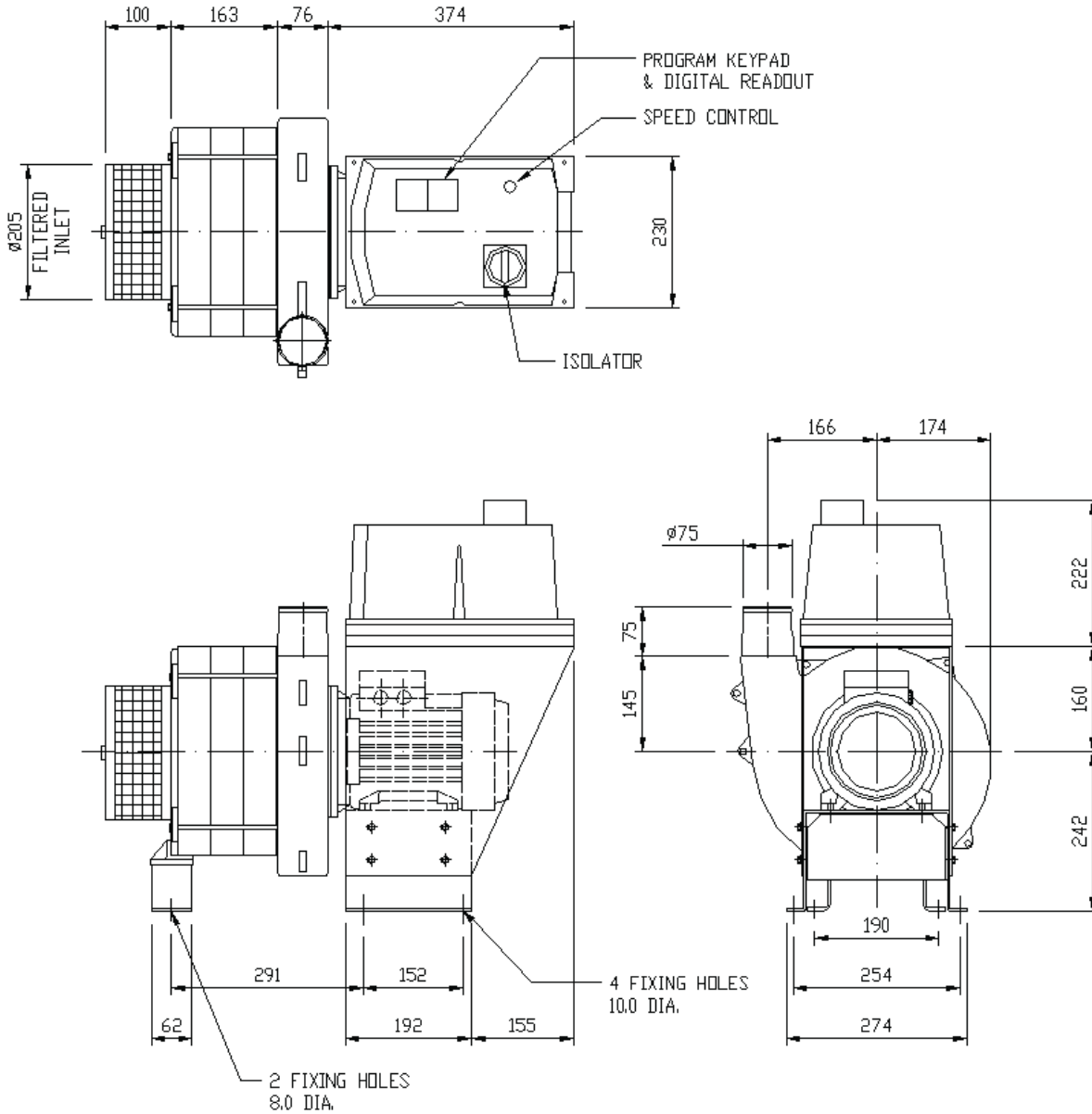


Air Control Industries

# multi stage 5MS11 c/w inverter Backward Curved, Single Inlet Centrifugal Fan

Outline dimensions:

ACI - Effective Air is our Business



**Please note (1)** - all drawings measurements are in millimeters (mm)  
**Please note (2)** - above technical specifications are subject to change

**AIR CONTROL INDUSTRIES LTD.**  
Weycroft Avenue, Millwey Industrial Estate, Axminster, EX13 5HU  
Tel: 0845 5000 501, Fax: 0845 5000 502

**AIR CONTROL INDUSTRIES INC.**  
76 Augusta Rockland Road, Windsor, ME 04363, USA  
Tel: 207-445-2518, Fax: 207-445-2497

[www.aircontrolindustries.com](http://www.aircontrolindustries.com) / [sales@aircontrolindustries.com](mailto:sales@aircontrolindustries.com)

Ref: Multi Stage 5MS11 Inv Iss 10/1



Certificate No. FM20497