



Air Control Industries

multi stage MS8

Backward Curved, Single Inlet Centrifugal Fan

ACI - Effective Air is our Business

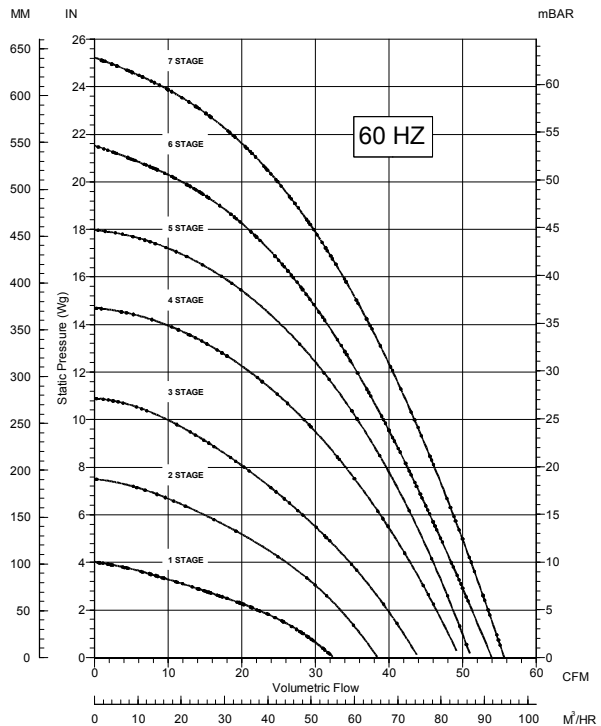
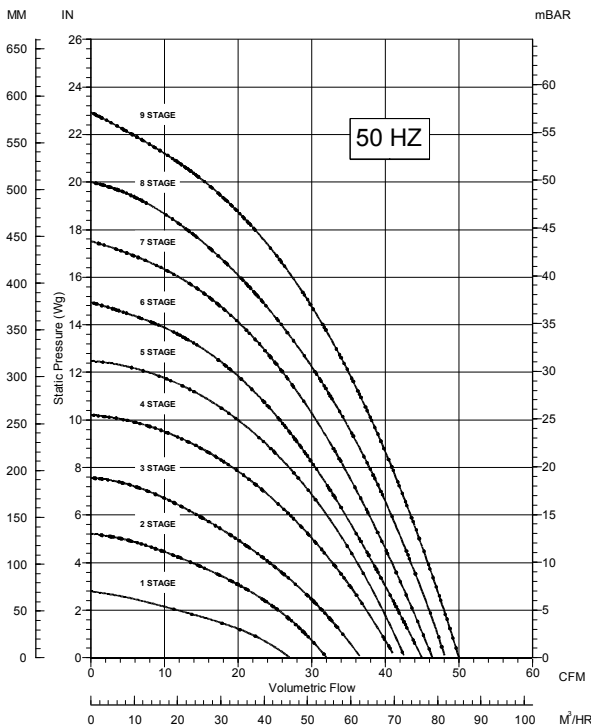
Specification details:



The MS8 product range is a modular-type blower with various electrical supplies available. 1 through to 9 stages are available for 50Hz and 1 through to 7 stages for 60Hz.

	Volts	Ph	Hz
Nominal supply:	100	1	50/60
	115	1	50/60
	115	1	400
	110-120	1	60
	220-240	1	50
	380	3	70
	380-480	3	50/60
	(380-420/220-240)	3	50/60
	440-480/250-280)	3	50
220-250/380-400	3	50	
Motor Type Details:	Induction type, 1Ph, capacitor start and run		
Mounting:	Build in type / with feet / with floorstand options		
Materials:	Impeller: Aluminium 1200 H14 Fancase: White polyester resin		
Bearings:	Ball type, lubricated for life		
Ancillaries:	Inlet and discharge guards, sockets (BSP fittings), inlet spigots, hose, adaptors, filtered inlets, speed controllers		

Performance details:



Please note (1) - all drawings measurements are in millimeters (mm)
Please note (2) - above technical specifications are subject to change

AIR CONTROL INDUSTRIES LTD.
 Weycroft Avenue, Millwey Industrial Estate, Axminster, EX13 5HU
 Tel: 0845 5000 501, Fax: 0845 5000 502

AIR CONTROL INDUSTRIES INC.
 76 Augusta Rockland Road, Windsor, ME 04363, USA
 Tel: 207-445-2518, Fax: 207-445-2497

www.aircontrolindustries.com / sales@aircontrolindustries.com

Ref: Multi Stage MS8 Iss 10/1



Certificate No. FM20497



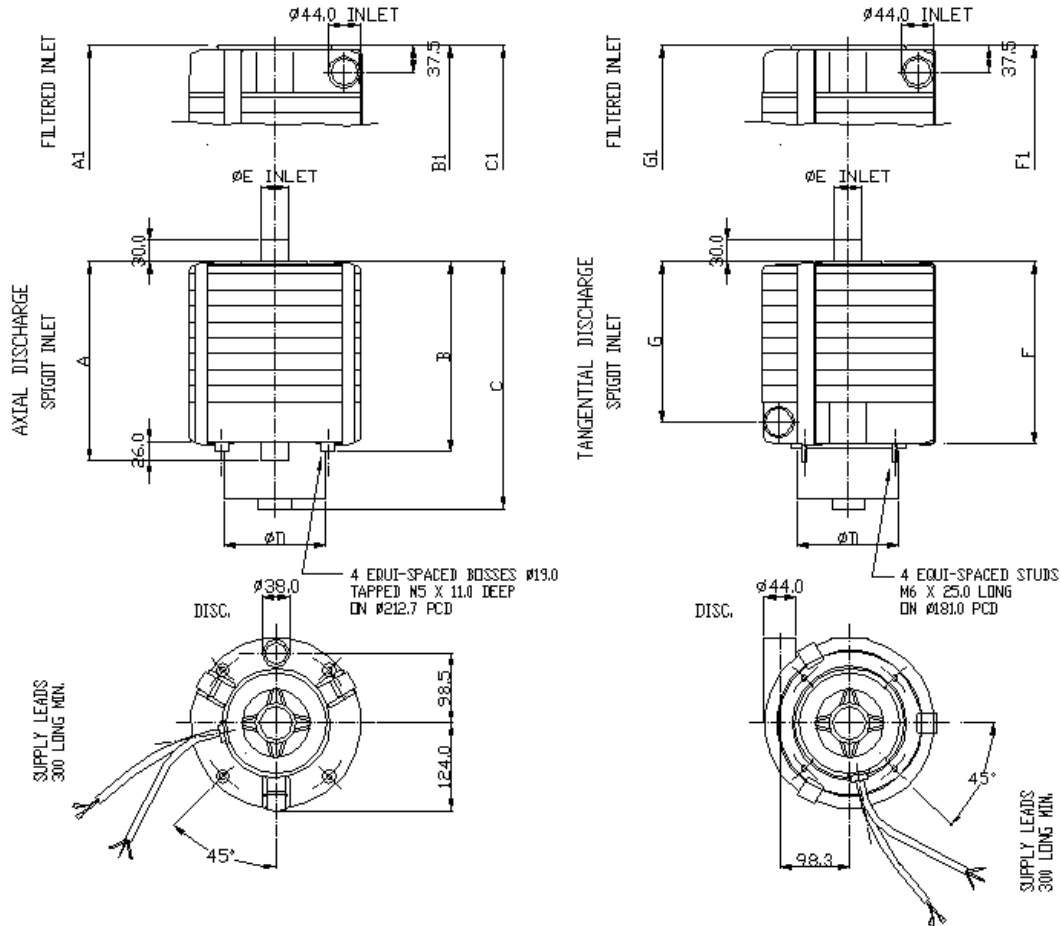
Air Control Industries

multi stage MS8

Backward Curved, Single Inlet Centrifugal Fan

ACI - Effective Air is our Business

Outline Dimension details (build in type):



	A	AI	B	BI	C	CI	D	E	F	FI	G	GI
1MS8	99.5	155	86.5	142	132.5	188	98	Ø44/Ø38/Ø32	77	132.5	46	101.5
2MS8	122	177.5	109	164.5	150	205.5	100	Ø44/Ø38/Ø32	99.5	155	68.5	124
3MS8	145	200.5	132	187.5	179	234.5	100	Ø44/Ø38/Ø32	122	177.5	91	146.5
4MS8	167.5	222.5	154.5	210	209	264.5	100	Ø44/Ø38/Ø32	144.5	200	113.5	169
5MS8	190	245.5	177	232.5	249.5	305	100	Ø44/Ø38/Ø32	167	222.5	136	191.5
6MS8	212.5	298	200	285.5	282	367.5	144	Ø44/Ø38/Ø32	189.5	245	158.5	214
7MS8	235.5	321	222.5	308	305	390.5	144	Ø44/Ø38/Ø32	212	267.5	181	236.5
8MS8	258	343.5	245	330.5	327.5	413	144	Ø44/Ø38/Ø32	234.5	290	203.5	259
9MS8	280.5	366	267.5	353	350	435.5	144	Ø44/Ø38/Ø32	257	312.5	226	281.5

Please note (1) - all drawings measurements are in millimeters (mm)
Please note (2) - above technical specifications are subject to change

AIR CONTROL INDUSTRIES LTD.
 Weycroft Avenue, Millwey Industrial Estate, Axminster, EX13 5HU
 Tel: 0845 5000 501, Fax: 0845 5000 502

AIR CONTROL INDUSTRIES INC.
 76 Augusta Rockland Road, Windsor, ME 04363, USA
 Tel: 207-445-2518, Fax: 207-445-2497

www.aircontrolindustries.com / sales@aircontrolindustries.com

Ref: Multi Stage MS8 Iss 10/1



Certificate No. FM20497