



Air Control Industries

multi stage MS8

Backward Curved, Single Inlet Centrifugal Fan

ACI - Effective Air is our Business

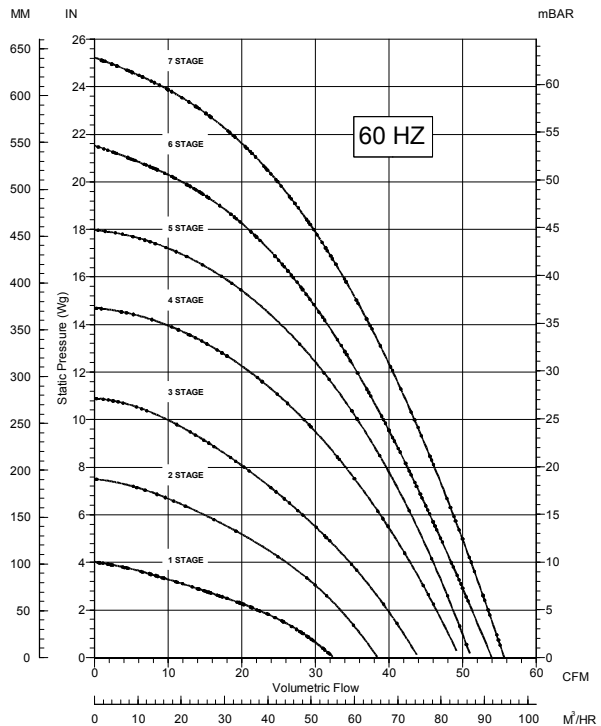
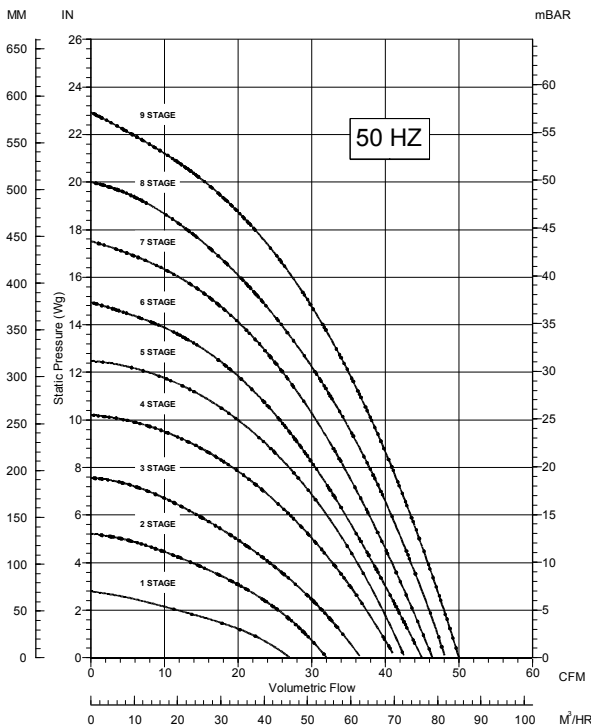
Specification details:



The MS8 product range is a modular-type blower with various electrical supplies available. 1 through to 9 stages are available for 50Hz and 1 through to 7 stages for 60Hz.

	Volts	Ph	Hz
Nominal supply:	100	1	50/60
	115	1	50/60
	115	1	400
	110-120	1	60
	220-240	1	50
	380	3	70
	380-480	3	50/60
	(380-420/220-240)	3	50/60
	440-480/250-280)	3	50
220-250/380-400	3	50	
Motor Type Details:	Induction type, 1Ph, capacitor start and run		
Mounting:	Build in type / with feet / with floorstand options		
Materials:	Impeller: Aluminium 1200 H14 Fancase: White polyester resin		
Bearings:	Ball type, lubricated for life		
Ancillaries:	Inlet and discharge guards, sockets (BSP fittings), inlet spigots, hose, adaptors, filtered inlets, speed controllers		

Performance details:



Please note (1) - all drawings measurements are in millimeters (mm)
Please note (2) - above technical specifications are subject to change

AIR CONTROL INDUSTRIES LTD.
 Weycroft Avenue, Millwey Industrial Estate, Axminster, EX13 5HU
 Tel: 0845 5000 501, Fax: 0845 5000 502

AIR CONTROL INDUSTRIES INC.
 76 Augusta Rockland Road, Windsor, ME 04363, USA
 Tel: 207-445-2518, Fax: 207-445-2497

www.aircontrolindustries.com / sales@aircontrolindustries.com

Ref: Multi Stage MS8 Iss 10/1



Certificate No. FM20497



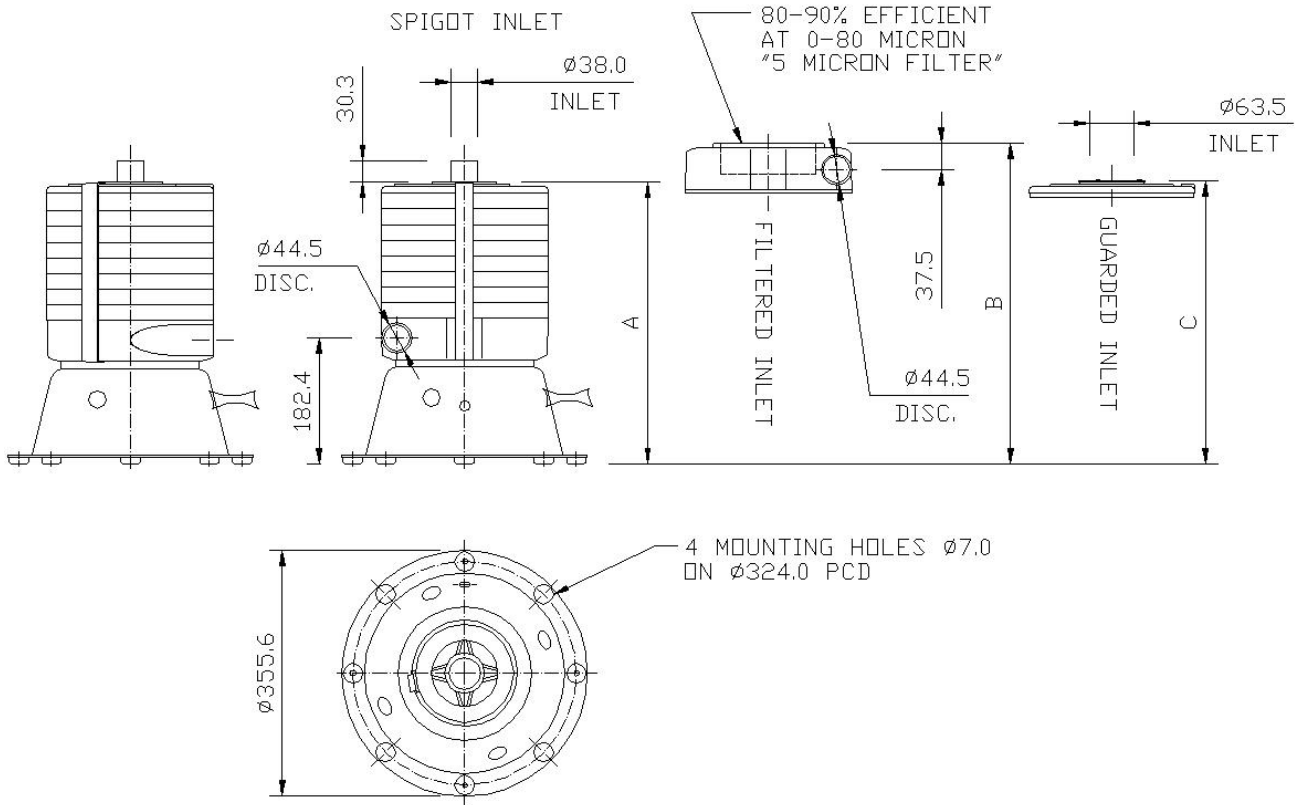
Air Control Industries

multi stage MS8

Backward Curved, Single Inlet Centrifugal Fan

ACI - Effective Air is our Business

Outline Dimension details (floor stand):



	A	B	C
1MS8	227.7	283.1	229.4
2MS8	250.3	305.7	252
3MS8	272.9	328.3	274.6
4MS8	295.5	350.9	297.2
5MS8	318.1	373.5	319.8
6MS8	340.7	396.1	342.4
7MS8	363.3	418.7	365
8MS8	385.9	441.3	387.6
9MS8	408.5	463.9	410.2

Please note (1) - all drawings measurements are in millimeters (mm)
Please note (2) - above technical specifications are subject to change

AIR CONTROL INDUSTRIES LTD.
 Weycroft Avenue, Millwey Industrial Estate, Axminster, EX13 5HU
 Tel: 0845 5000 501, Fax: 0845 5000 502

AIR CONTROL INDUSTRIES INC.
 76 Augusta Rockland Road, Windsor, ME 04363, USA
 Tel: 207-445-2518, Fax: 207-445-2497

www.aircontrolindustries.com / sales@aircontrolindustries.com

Ref: Multi Stage MS8 Iss 10/1



Certificate No. FM20497