

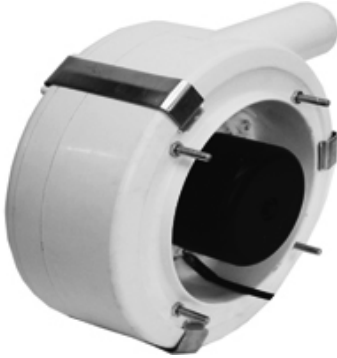


Air Control Industries

multi stage MS8 dc Backward Curved, Single Inlet Centrifugal Fan

ACI - Effective Air is our Business

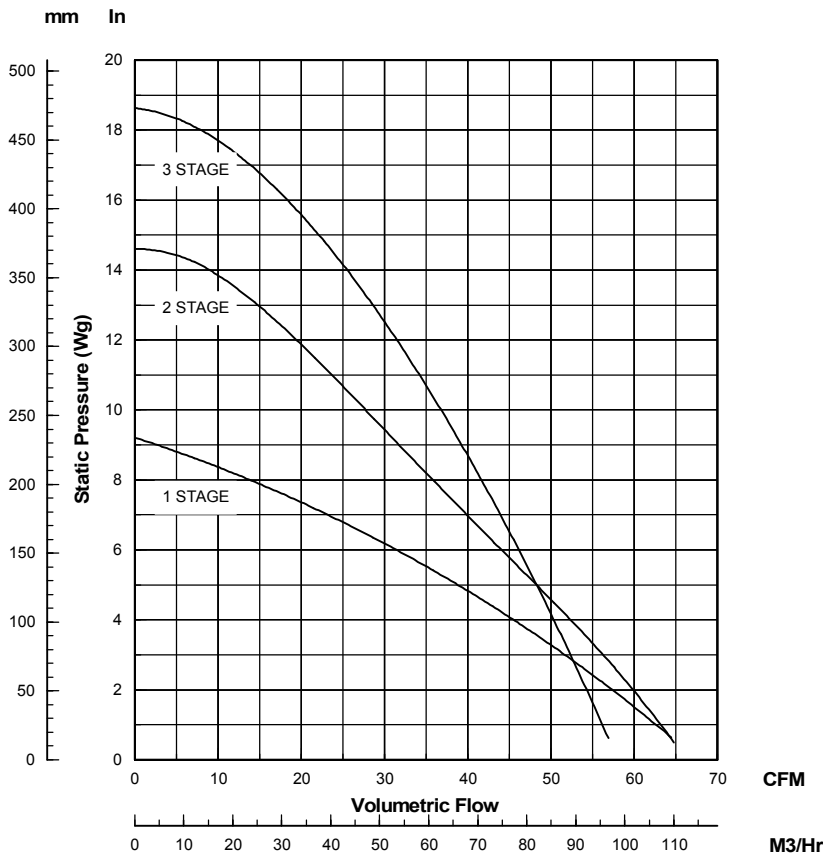
Specifications:



Nominal supply:	24VDC (Brushless)
Mounting:	Build in type / with feet / with floorstand options
Materials:	Impeller: Aluminium 1200 H14 Fancase: White polyester resin
Bearings:	Ball type, lubricated for life
Ancillaries:	Inlet and discharge guards, sockets (BSP fittings), inlet spigots, hose, adaptors, filtered inlets, speed controllers
Noise levels:	1 through to 3 stage: 77 dB(A) - 1m Free Air

The MS8 Brushless DC units are the latest addition to the Multi Stage product range and are modular -type blowers with 24V DC supply available. Running at around 4000rpm, 1 through to 3 stages are available.

Performance details:



Please note (1) - all drawings measurements are in millimeters (mm)
Please note (2) - above technical specifications are subject to change

AIR CONTROL INDUSTRIES LTD.
 Weycroft Avenue, Millwey Industrial Estate, Axminster, EX13 5HU
 Tel: 0845 5000 501, Fax: 0845 5000 502

AIR CONTROL INDUSTRIES INC.
 76 Augusta Rockland Road, Windsor, ME 04363, USA
 Tel: 207-445-2518, Fax: 207-445-2497

www.aircontrolindustries.com / sales@aircontrolindustries.com

Ref: Multi Stage MS8 DC Iss 10/1

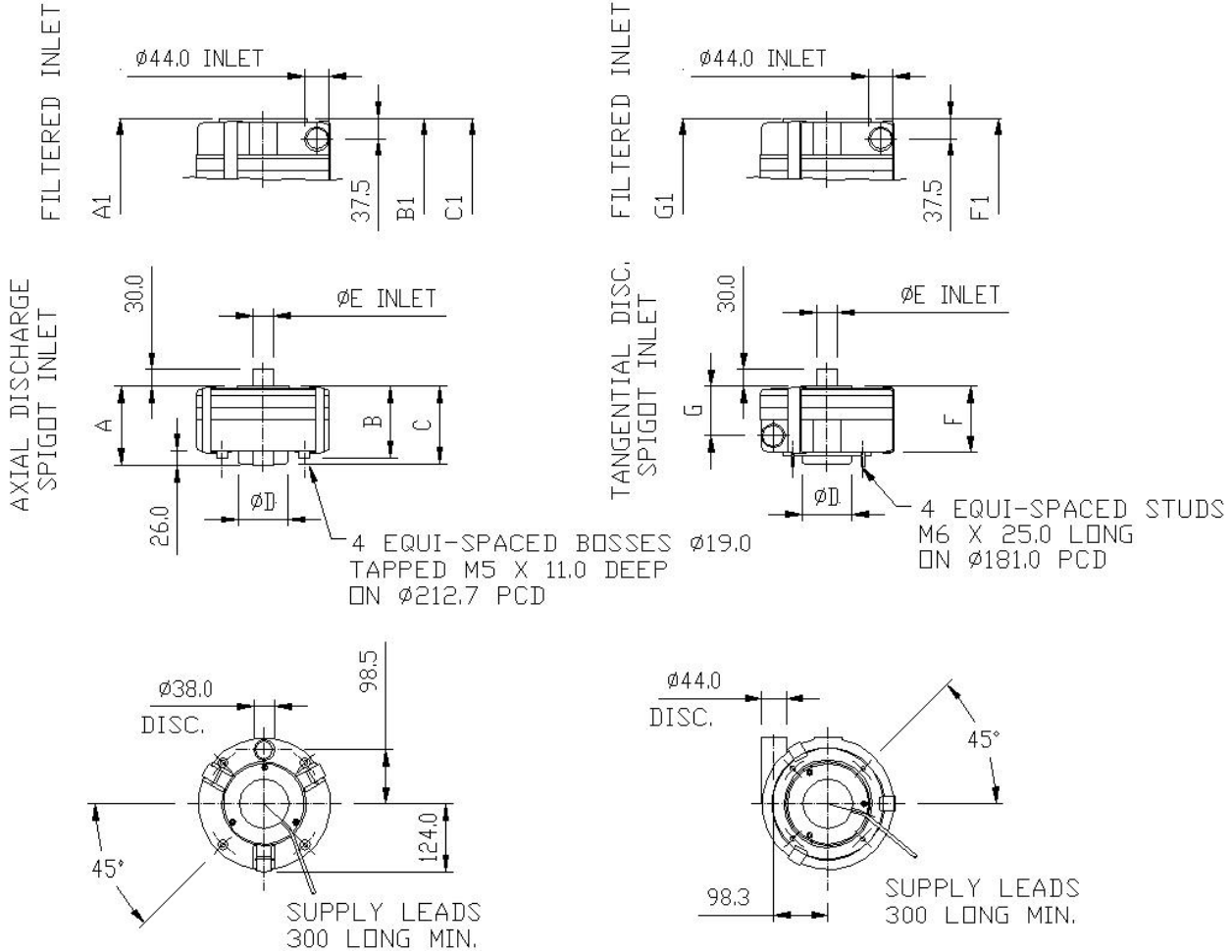


Certificate No. FM20497



multi stage MS8 dc Backward Curved, Single Inlet Centrifugal Fan

Outline Dimension details (build in type):



	A	A1	B	B1	C	C1	D	E	F	F1	G	G1
1MS8	99.5	155	86.5	142	98	153.5	91	$\phi 44/\phi 38/\phi 32$	77	132.5	46	101.5
2MS8	122	177.5	109	164.5	120.5	176	91	$\phi 44/\phi 38/\phi 32$	99.5	155	68.5	124
3MS8	145	200.5	132	187.5	143	198.5	91	$\phi 44/\phi 38/\phi 32$	122	177.5	91	146.5

Please note (1) - all drawings measurements are in millimeters (mm)
Please note (2) - above technical specifications are subject to change

AIR CONTROL INDUSTRIES LTD.
 Weycroft Avenue, Millwey Industrial Estate, Axminster, EX13 5HU
 Tel: 0845 5000 501, Fax: 0845 5000 502

AIR CONTROL INDUSTRIES INC.
 76 Augusta Rockland Road, Windsor, ME 04363, USA
 Tel: 207-445-2518, Fax: 207-445-2497

www.aircontrolindustries.com / sales@aircontrolindustries.com

Ref: Multi Stage MS8 DC Iss 10/I



Certificate No. FM20497