

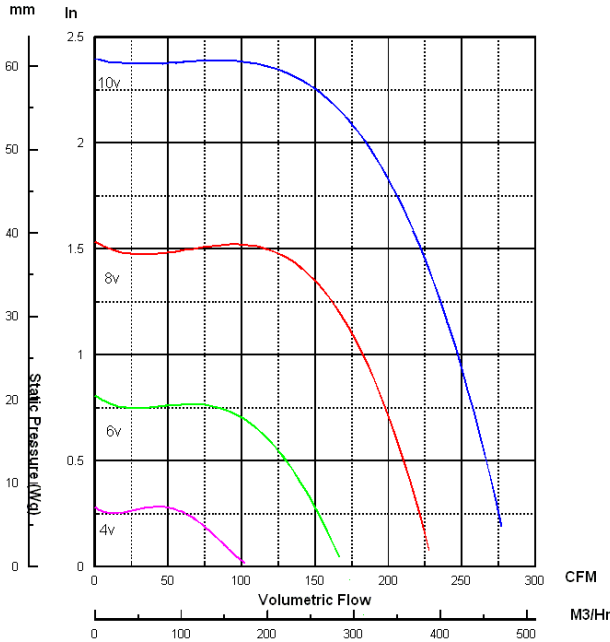


Air Control Industries

QBL6/3 Single Inlet Centrifugal Fan

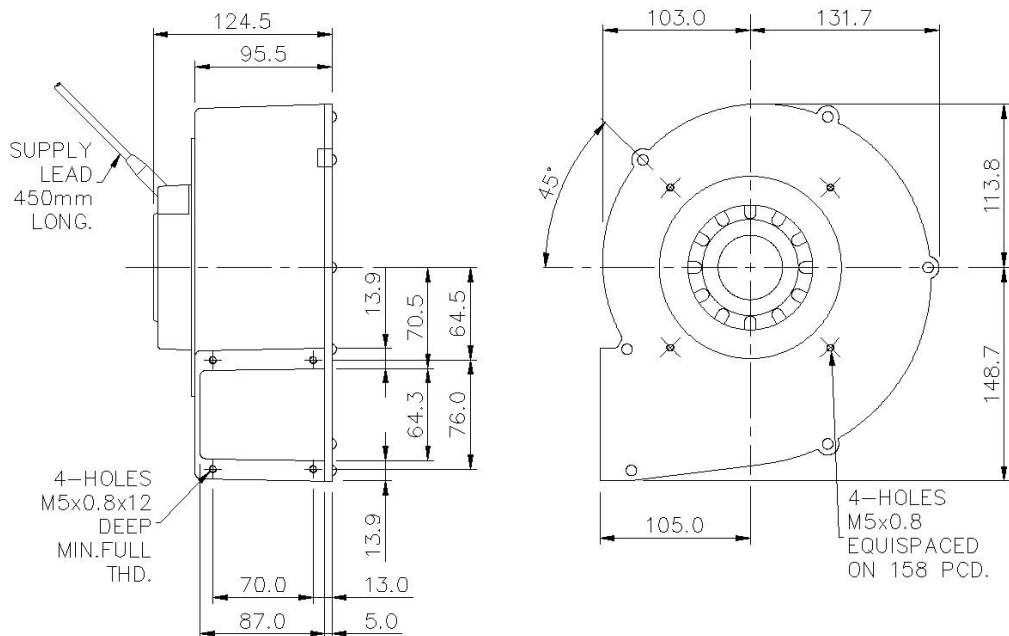
ACI - Effective Air is our Business

Performance details:



| | |
|------------------------|---------------------------------------------------------------------------------------------------------------------------------------------|
| Motor type: | EC (Electronically commutated) motors. IP44 with CE,UK,CSA approval. Speed monitor output, integrated speed control via PWM or 0-10V signal |
| Nominal supply: | 230V 1Ph 50/60Hz 115V 1Ph 50/60Hz |
| Ancillaries: | Potentiometer 0-10V speed controller, inlet and discharge guards, spigots, inlet filters |
| Materials: | Fancase: cast aluminium LM6 Impellers: galvanised sheet steel |
| Finishes: | Stove enamel as std |
| Mounting: | Inlet and discharge drillings |
| Noise levels: | 77.2dB(A) Free Air, 1 metre |
| Weight: | 4.0Kg |

Outline dimensions:



Please note (1) - all drawings measurements are in millimeters (mm)
Please note (2) - above technical specifications are subject to change

AIR CONTROL INDUSTRIES LTD.
Weycroft Avenue, Millwey Industrial Estate, Axminster, EX13 5HU
Tel: 0845 5000 501, Fax: 0845 5000 502

AIR CONTROL INDUSTRIES INC.
76 Augusta Rockland Road, Windsor, ME 04363, USA
Tel: 207-445-2518, Fax: 207-445-2497

www.aircontrolindustries.com / sales@aircontrolindustries.com

Ref: QBL6/3 Iss 10/1



Certificate No. FM20497