

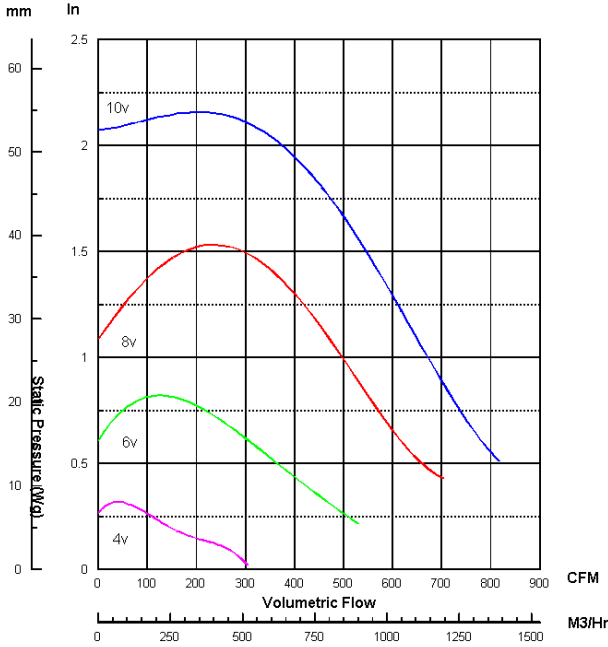


Air Control Industries

QBW9/3 Single Inlet Centrifugal Fan

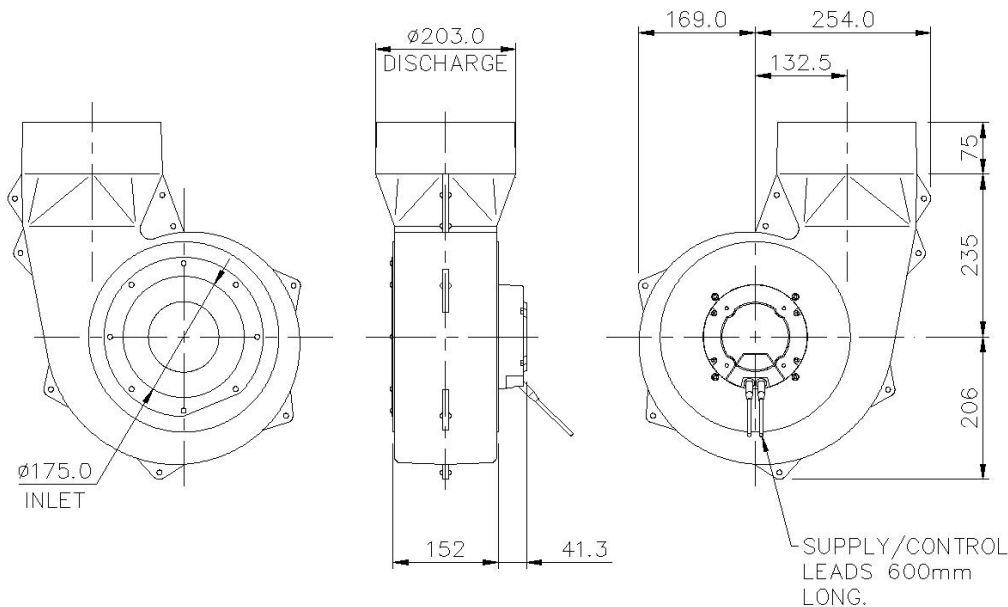
ACI - Effective Air is our Business

Performance details:



Motor type:	EC (Electronically commutated) motors. IP44 with CE, UK, CSA approval. Speed monitor output, integrated speed control via PWM or 0-10V signal
Nominal supply:	230V 1Ph 50/60Hz 115V 1Ph 50/60Hz
Ancillaries:	Potentiometer 0-10V speed controller, inlet and discharge guards, spigots, inlet filters
Materials:	Fancase: cast aluminium LM6 Impellers: aluminium 1200 H14
Finishes:	Stove enamel as std
Mounting:	Inlet and discharge drillings
Noise levels:	81.4dB(A) Free Air, 1 metre
Weight:	12.5Kg

Outline dimensions:



Please note (1) - all drawings measurements are in millimeters (mm)
Please note (2) - above technical specifications are subject to change

AIR CONTROL INDUSTRIES LTD.
Weycroft Avenue, Millwey Industrial Estate, Axminster, EX13 5HU
Tel: 0845 5000 501, Fax: 0845 5000 502

AIR CONTROL INDUSTRIES INC.
76 Augusta Rockland Road, Windsor, ME 04363, USA
Tel: 207-445-2518, Fax: 207-445-2497

www.aircontrolindustries.com / sales@aircontrolindustries.com

Ref: QBW9/3 Iss 10/1



Certificate No. FM20497