



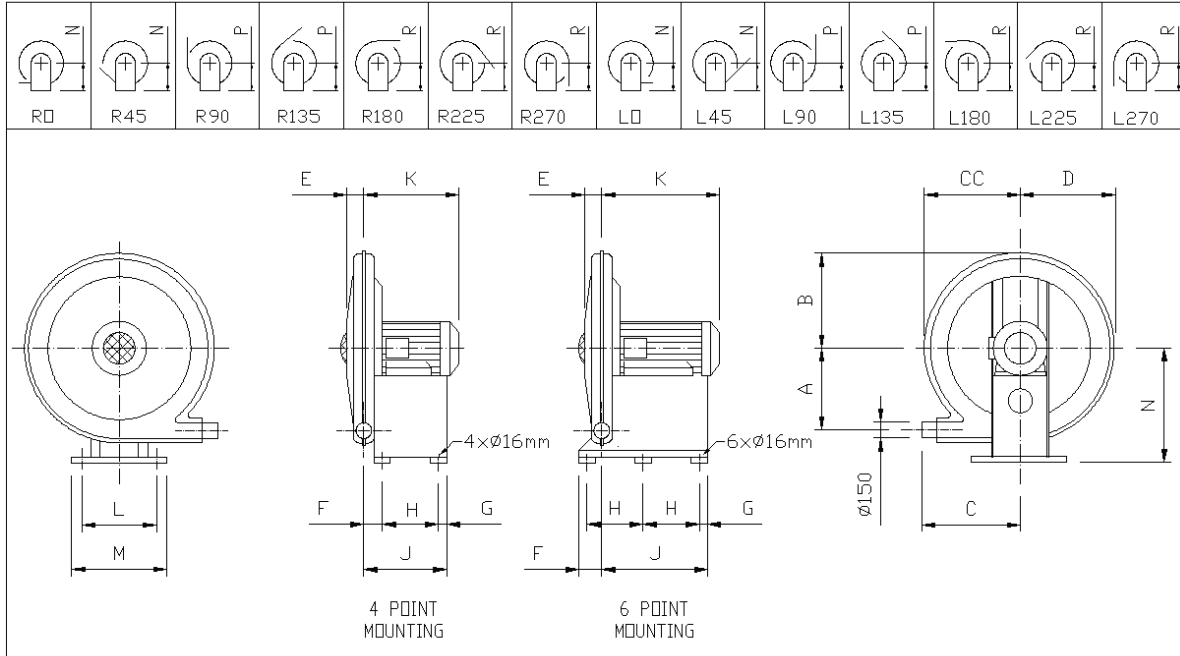
Air Control Industries

radial blower RB150

Single Inlet Centrifugal Blowers

ACI - Effective Air is our Business

Discharge Angles / Outline Dimensions:



Type	Motor kW	Mtg Pts.	A	B	C	CC	D	E	F	G	H	J	K	L	M	N	P	R	Kg	Enc. Type
4015	4	6	286	305	280	280	330	60	111	32	181	315	393	311	356	435	435	435	69	2
4015	5.5	6	286	305	280	280	330	60	111	32	200	353	441	362	406	435	435	435	82	2
4815	5.5	6	324	343	305	318	368	60	111	32	200	353	441	362	406	435	435	435	93	2
4815	7.5	6	324	343	305	318	368	60	111	32	200	353	441	362	406	435	435	435	93	2
5615	5.5	6	362	381	339	355	406	60	111	32	200	353	441	362	406	502	502	104	104	2
5615	7.5	6	362	381	339	355	406	60	111	32	200	353	441	362	406	502	502	502	104	2
5615	11	6	362	381	339	355	406	60	111	32	251	455	572	425	470	502	502	502	146	2
6115	7.5	6	387	406	375	381	432	60	111	32	200	353	441	362	406	527	527	527	111	2
6115	11	6	387	406	375	381	432	60	111	32	251	455	572	425	470	527	527	527	153	2
6615	11	6	413	432	390	406	457	60	111	32	251	455	572	425	470	552	552	552	164	2
6615	15	6	413	432	390	406	457	60	111	32	251	455	572	425	470	552	552	552	164	2
7115	11	6	438	457	416	432	482	60	111	32	251	455	572	425	470	578	578	578	175	3
7115	15	6	438	457	416	432	482	60	111	32	251	455	572	425	470	578	578	578	175	3
7615	15	6	464	483	430	457	508	60	111	32	251	455	572	425	470	603	603	603	187	3
7615	18.5	6	464	483	430	457	508	60	111	32	271	495	614	425	470	603	603	603	206	3
326	18.5	6	489	492	467	467	518	100	110	32	269	492	560	426	470	629	540	515	219	3
326	22	6	489	492	467	467	518	100	110	32	269	492	626	490	534	629	540	515	246	3
346	18.5	6	515	518	492	492	543	100	110	32	269	492	560	426	470	655	565	540	232	3
346	22	6	515	518	492	492	543	100	110	32	269	492	626	490	534	655	565	540	259	3
346	30	6	515	518	492	492	543	100	110	32	307	568	705	490	534	655	565	540	321	3
366	22	6	540	543	518	518	568	100	110	32	269	492	626	490	534	680	590	565	273	3
366	30	6	540	543	518	518	568	100	110	32	307	568	705	490	534	680	590	565	335	3

Note: Enclosure Types are as follows:

- 1= Enclosure not required as noise level below 80dB(A) with Inlet Filter Silencer
- 2 = Enclosure type 1200 required
- 3 = Enclosure type 1500 required

Please note (1) - all drawings measurements are in millimeters (mm)
 Please note (2) - above technical specifications are subject to change

AIR CONTROL INDUSTRIES LTD.
 Weycroft Avenue, Millwey Industrial Estate, Axminster, EX13 5HU
 Tel: 0845 5000 501, Fax: 0845 5000 502

AIR CONTROL INDUSTRIES INC.
 76 Augusta Rockland Road, Windsor, ME 04363, USA
 Tel: 207-445-2518, Fax: 207-445-2497

www.aircontrolindustries.com/ / sales@aircontrolindustries.com

Ref: RB150 Iss 10/1



Certificate No. FM20497



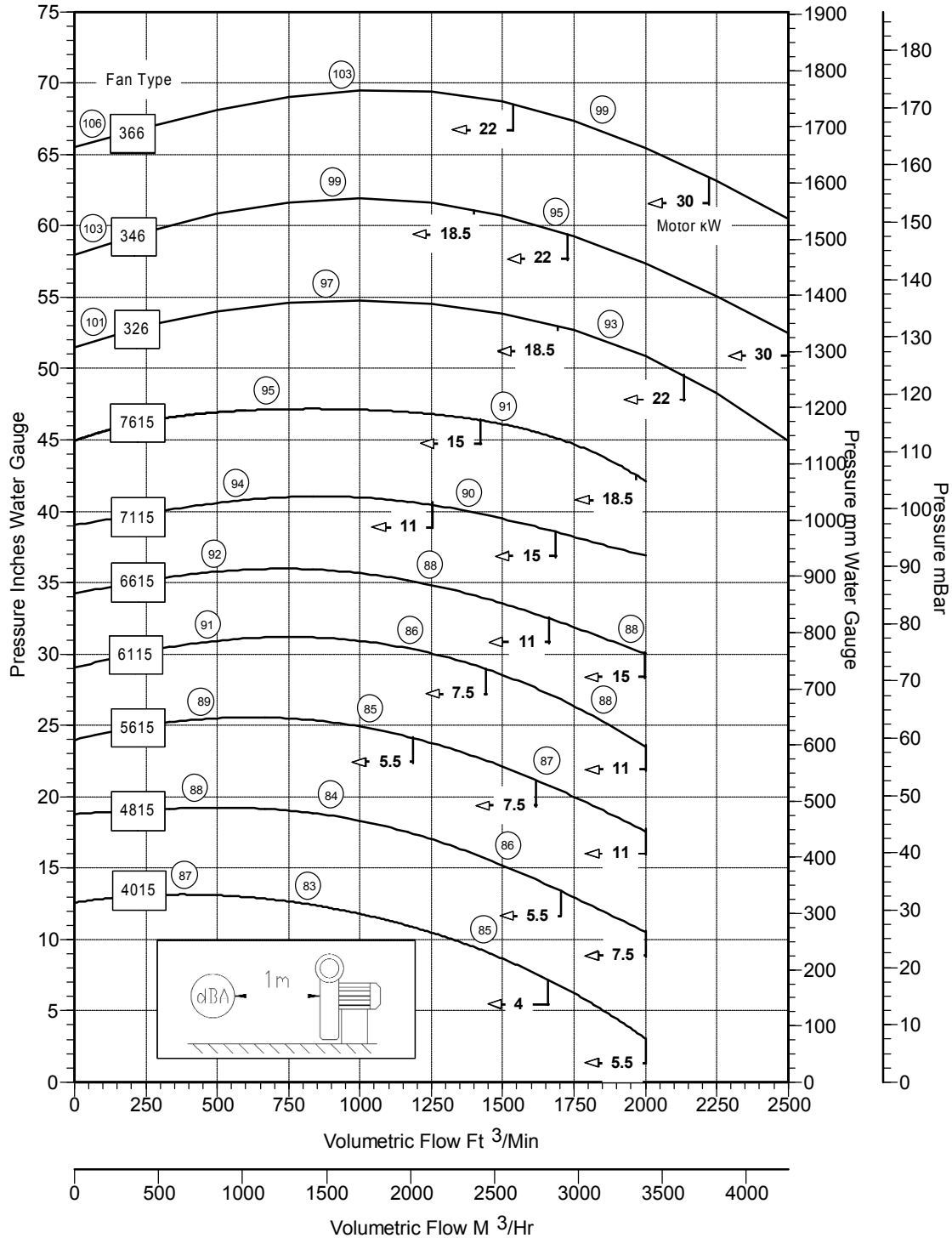
Air Control Industries

radial blower RB150

Single Inlet Centrifugal Blowers

ACI - Effective Air is our Business

Performance details:



AIR CONTROL INDUSTRIES LTD.
Weycroft Avenue, Millwey Industrial Estate, Axminster, EX13 5HU
Tel: 0845 5000 501, Fax: 0845 5000 502

AIR CONTROL INDUSTRIES INC.
76 Augusta Rockland Road, Windsor, ME 04363, USA
Tel: 207-445-2518, Fax: 207-445-2497

www.aircontrolindustries.com / sales@aircontrolindustries.com

Ref: RB150 Iss 10/1



Certificate No. FM20497