



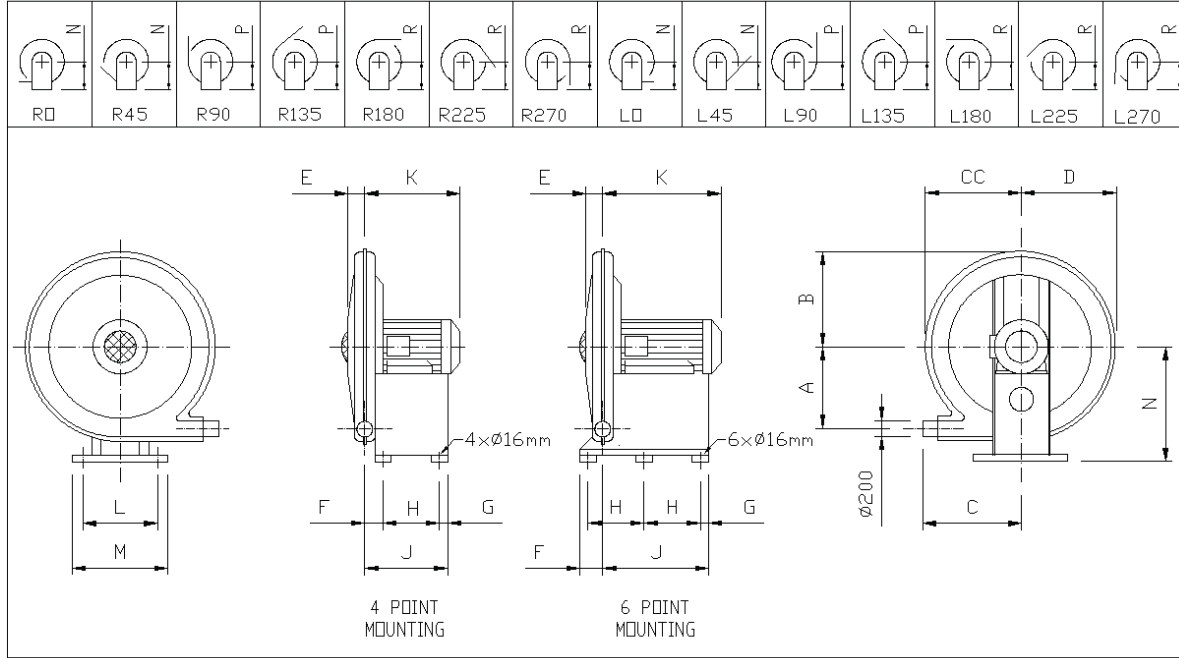
Air Control Industries

# radial blower RB200

## Single Inlet Centrifugal Blowers

ACI - Effective Air is our Business

### Discharge Angles / Outline Dimensions:



Type	Motor kW	Mtg Pts.	A	B	C	CC	D	E	F	G	H	J	K	L	M	N	P	R	Kg	Enc. Type
198	7.5	6	350	354	320	320	386	130	128	32	217	370	460	362	406	535	426	395	120	2
198	11	6	350	354	320	320	386	130	128	32	268	472	580	426	470	535	426	395	162	2
228	11/15	6	387	391	359	359	425	130	128	32	268	472	580	426	470	571	464	422	173	2
248	11/15	6	413	416	384	384	451	130	128	32	268	472	580	426	470	597	489	448	180	2
248	18.5	6	413	416	384	384	451	130	128	32	287	510	580	426	470	597	489	448	199	2
268	15	6	438	441	410	410	476	130	128	32	268	472	580	426	470	622	508	470	192	2
268	18.5	6	438	441	410	410	476	130	128	32	287	510	580	426	470	622	508	470	211	2
268	22	6	438	441	410	410	476	476	128	32	287	510	645	489	533	622	508	470	238	2
288	18.5	6	464	467	435	435	502	130	128	32	287	510	580	426	470	648	533	495	223	2
288	22	6	464	467	435	435	502	130	128	32	287	510	645	489	533	648	533	495	250	2
288	30	6	464	467	435	435	502	130	128	32	325	586	730	489	533	648	533	495	312	2
308	18.5	6	489	492	460	460	527	130	128	32	287	510	580	426	470	673	552	521	236	2
308	22	6	489	492	460	460	527	130	128	32	287	510	645	489	533	673	552	521	263	2
308	30/37	6	489	492	460	460	527	130	128	32	325	586	730	489	533	673	552	521	325	3
328	22	6	515	518	485	485	551	130	128	32	287	510	645	489	533	700	591	560	278	3
328	30/37	6	515	518	485	485	551	130	128	32	325	586	730	489	533	700	591	560	340	3
328	45	6	515	518	485	485	551	130	128	32	338	612	1015	540	585	700	591	560	462	3
348	30/37	6	541	543	510	510	576	130	128	32	325	586	730	489	533	726	618	584	355	3
348	45	6	541	543	510	510	576	130	128	32	338	612	1015	540	585	726	618	584	477	3
368	37	6	566	569	535	535	602	130	128	32	325	586	730	489	533	751	642	609	371	3
368	45	6	566	569	535	535	602	130	128	32	338	612	1015	540	585	751	642	609	493	3
368	55	6	566	569	535	535	602	130	128	32	368	612	1015	590	634	751	642	609	615	3

Note: Enclosure Types are as follows:

- 1 = Enclosure not required as noise level below 80dB(A) with Inlet Filter Silencer
- 2 = Enclosure type 1200 required
- 3 = Enclosure type 1500 required

Please note (1) - all drawings measurements are in millimeters (mm)  
 Please note (2) - above technical specifications are subject to change

**AIR CONTROL INDUSTRIES LTD.**  
 Weycroft Avenue, Millwey Industrial Estate, Axminster, EX13 5HU  
 Tel: 0845 5000 501, Fax: 0845 5000 502

**AIR CONTROL INDUSTRIES INC.**  
 76 Augusta Rockland Road, Windsor, ME 04363, USA  
 Tel: 207-445-2518, Fax: 207-445-2497

[www.aircontrolindustries.com/](http://www.aircontrolindustries.com/) / [sales@aircontrolindustries.com](mailto:sales@aircontrolindustries.com)

Ref: RB200 Iss 10/1



Certificate No. FM20497



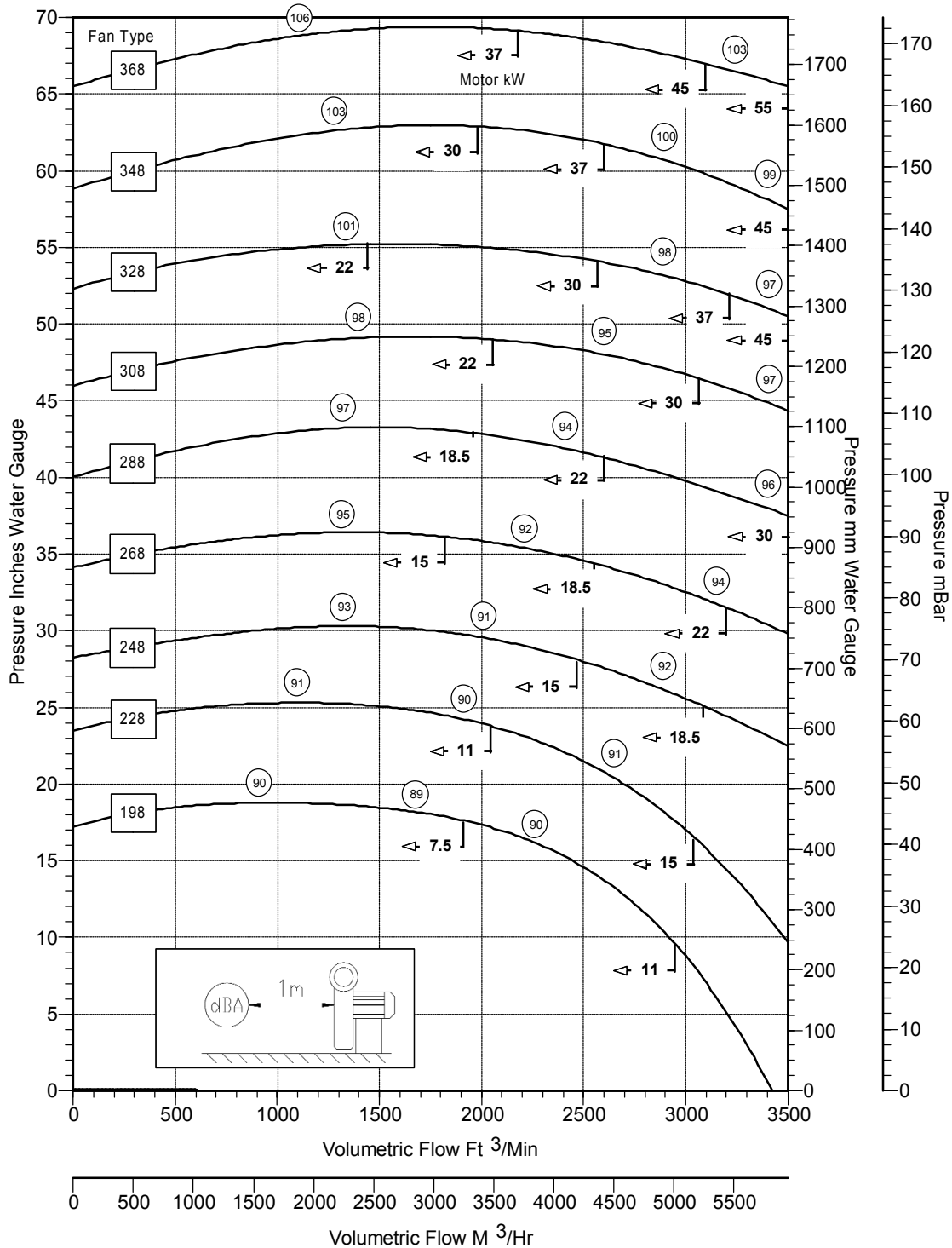
Air Control Industries

# radial blower RB200

## Single Inlet Centrifugal Blowers

ACI - Effective Air is our Business

Performance details:



**AIR CONTROL INDUSTRIES LTD.**  
Weycroft Avenue, Millwey Industrial Estate, Axminster, EX13 5HU  
Tel: 0845 5000 501, Fax: 0845 5000 502

**AIR CONTROL INDUSTRIES INC.**  
76 Augusta Rockland Road, Windsor, ME 04363, USA  
Tel: 207-445-2518, Fax: 207-445-2497

[www.aircontrolindustries.com](http://www.aircontrolindustries.com) / [sales@aircontrolindustries.com](mailto:sales@aircontrolindustries.com)

Ref: RB200 Iss 10/1



Certificate No. FM20497