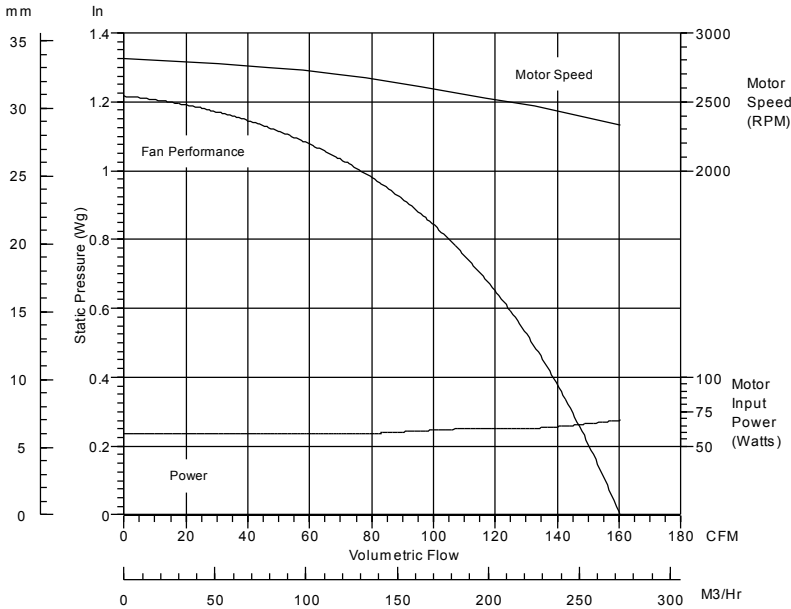
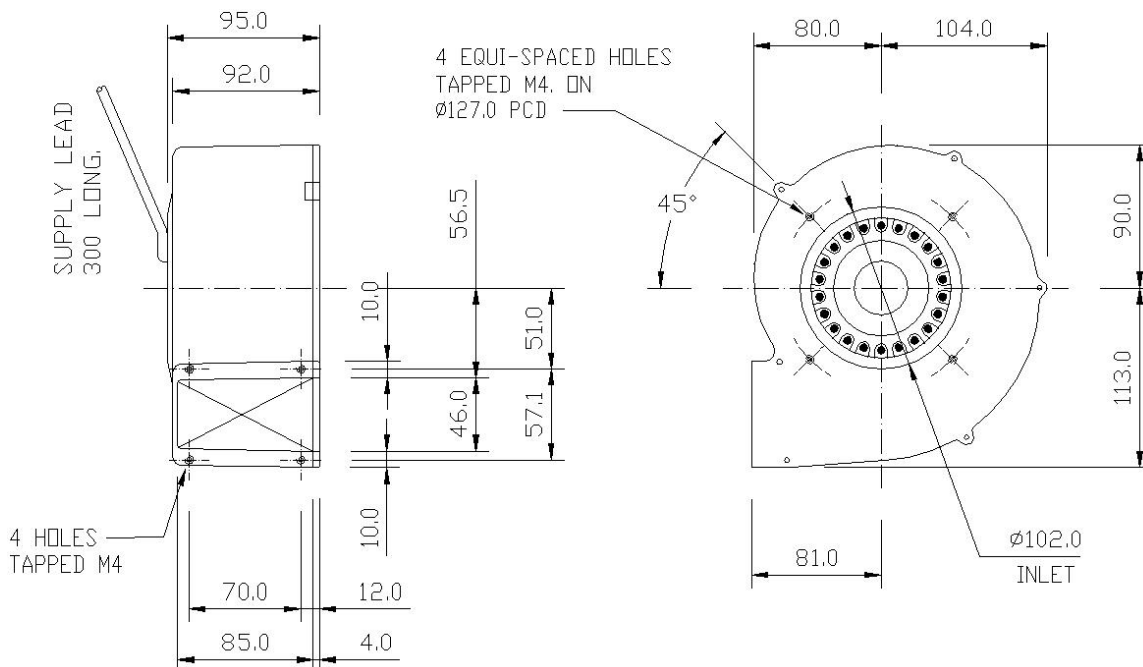


Performance details:



Motor type:	External rotor motor/shaded pole induction IP44
Nominal supply:	230V 1Ph 50/60Hz 115V 1Ph 50/60Hz 380/440V 3Ph 50/60Hz
Standard ancillaries:	Inlet and discharge guards, spigots
Materials:	Fan case: cast aluminium LM6 Impeller: galvanised sheet steel
Finishes:	Stove enamel as std
Mounting:	Foot, inlet and discharge drillings
Noise levels:	62.5 dB(A) Free Air, 1 metre
Weight:	3.2Kg

Outline dimensions:



Please note (1) - all drawings measurements are in millimeters (mm)
Please note (2) - above technical specifications are subject to change

AIR CONTROL INDUSTRIES LTD.
 Silver Street, Chard, Somerset, UK, TA20 2AE
 Tel: 0845 5000 501, Fax: 0845 5000 502

AIR CONTROL INDUSTRIES INC.
 195 Augusta Rockland Road, Windsor, Maine, USA
 Tel: 207-445-2518

www.aircontrolindustries.com / sales@aircontrolindustries.com

Ref: Slimline VBL5/3 Iss 10/1



Certificate No. FM20497