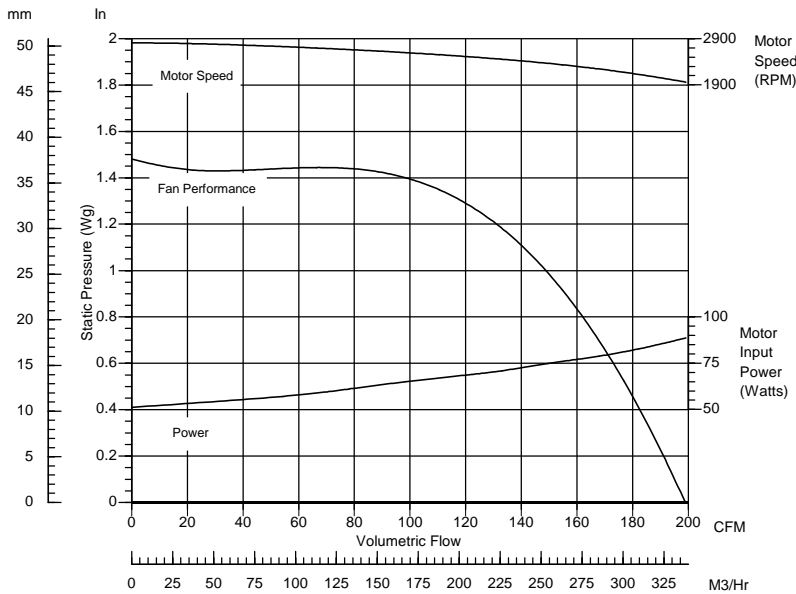
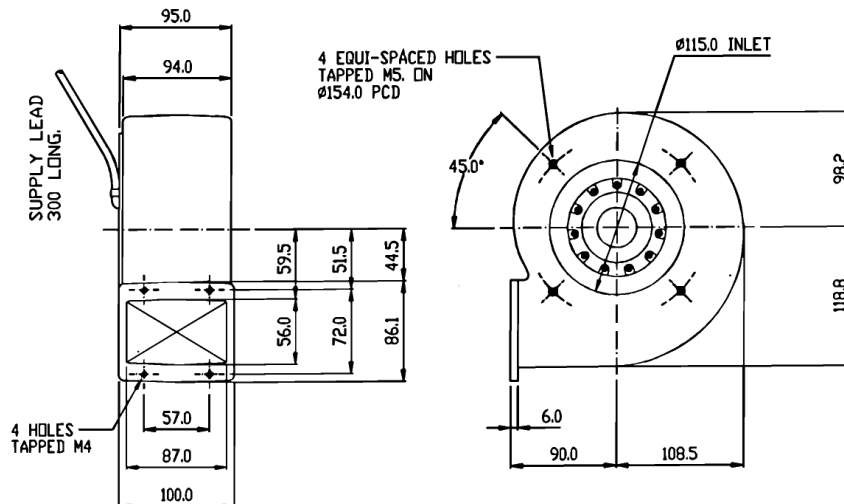


Performance details (50Hz, 2 pole version)



Motor type:	External rotor motor/shaded pole induction IP44
Nominal supply:	230V 1Ph 50/60Hz 115V 1Ph 50/60Hz
Std. ancillaries:	Inlet and discharge guards
Materials:	Fancase: cast aluminium LM6 Impellers: galvanised sheet
Finishes:	Stove enamel as std.
Mounting:	Inlet and discharge drillings
Noise levels:	61 dB(A), Free Air, 1M
Weight	3Kg

Outline Dimensions:



Please note (1) - all drawings measurements are in millimeters (mm)
Please note (2) - above technical specifications are subject to change

Ref: VBL5/5 09/Iss2



Certificate No. FM20497

AIR CONTROL INDUSTRIES LTD
Silver Street, Chard, Somerset, UK
Tel: 0845 5000 501

AIR CONTROL INDUSTRIES INC
195 Augusta Rockland Road, Windsor, Maine, USA
Tel: 207-445-2518

www.aircontrolindustries.com / sales@aircontrolindustries.com