



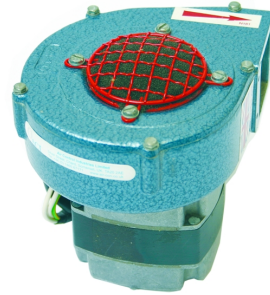
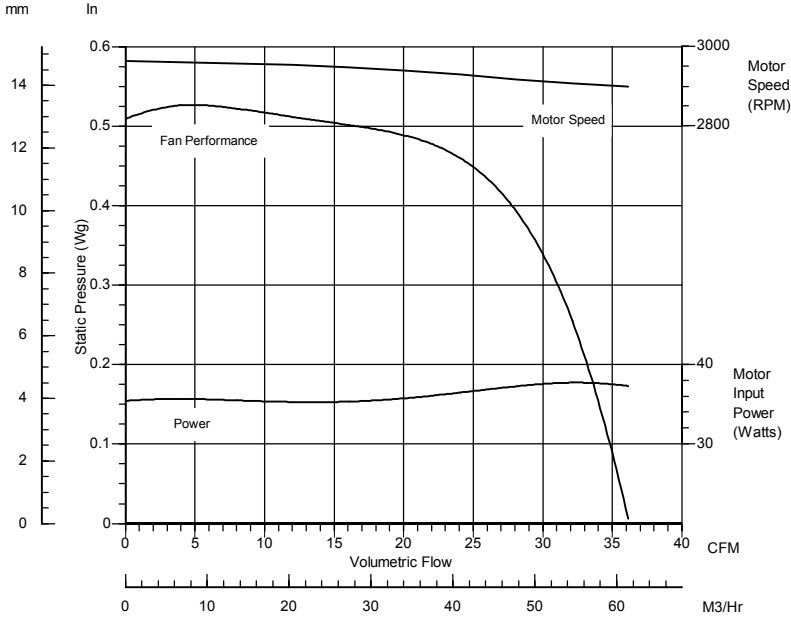
Air Control Industries

centrifugal VBM3

Single Inlet Centrifugal Fan

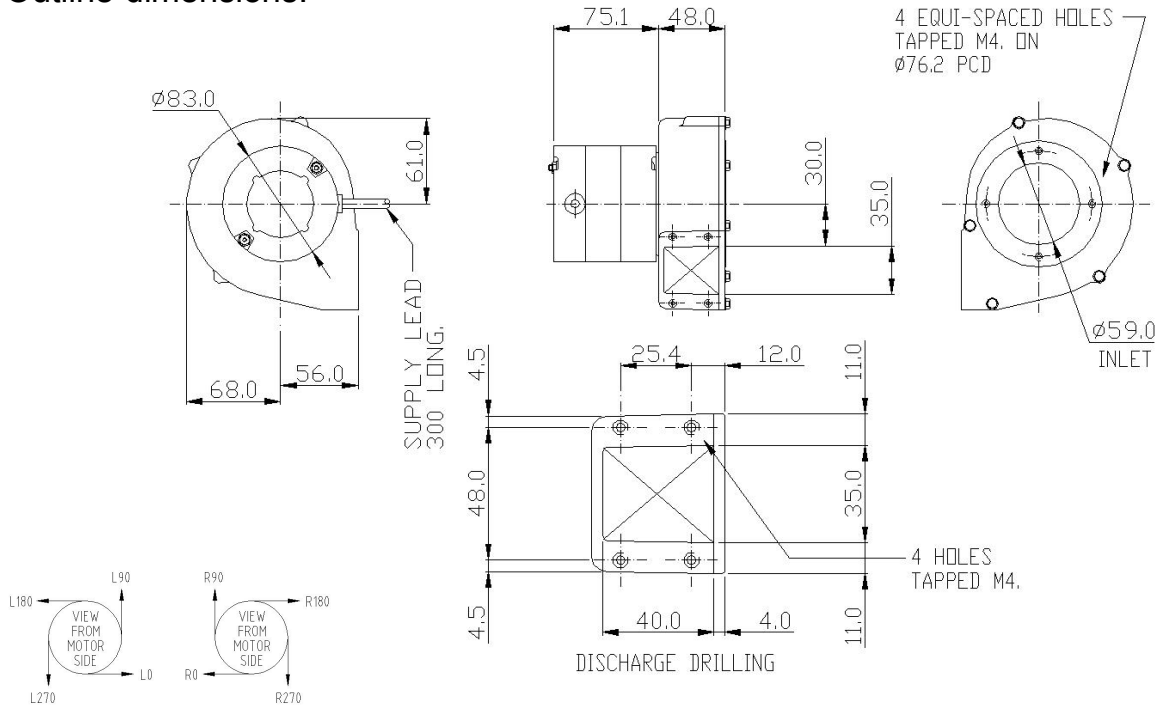
ACI - Effective Air is our Business

Performance details:



| | |
|------------------------|---|
| Motor type: | Shaded pole, IP44 |
| Nominal supply: | 220/240V or 115V, 1Ph, 50Hz |
| Ancillaries: | Inlet and discharge guards, Spigots |
| Materials: | Fan case: cast aluminium LM6 Impellers: galvanised sheet steel |
| Finishes: | Stove enamel as std |
| Mounting: | Tapped holes in inlet and discharge |
| Noise levels: | 74dB(A) Free Air, 1 metre |
| Weight: | 2Kg |
| Variations: | Increased safety to ATEX std available |

Outline dimensions:



Please note (1) - all drawings measurements are in millimeters (mm).
Please note (2) - above technical specifications are subject to change

AIR CONTROL INDUSTRIES LTD.
 Weycroft Avenue, Millwey Industrial Estate, Axminster, EX13 5HU
 Tel: 0845 5000 501, Fax: 0845 5000 502

AIR CONTROL INDUSTRIES INC.
 76 Augusta Rockland Road, Windsor, ME 04363, USA
 Tel: 207-445-2518, Fax: 207-445-2497

www.aircontrolindustries.com / sales@aircontrolindustries.com

Ref: Centrifugal VBM3 Iss 10/1



Certificate No. FM20497