



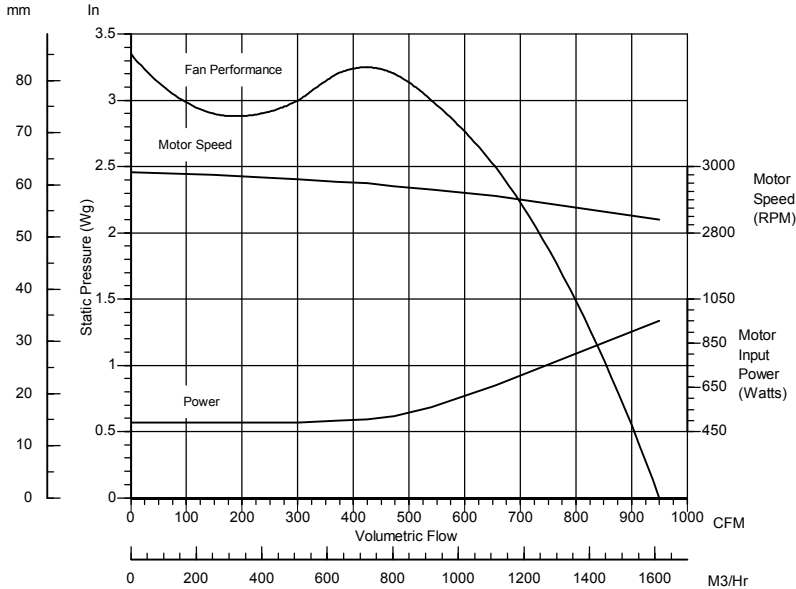
Air Control Industries

centrifugal VBW6

Single Inlet Centrifugal Fan

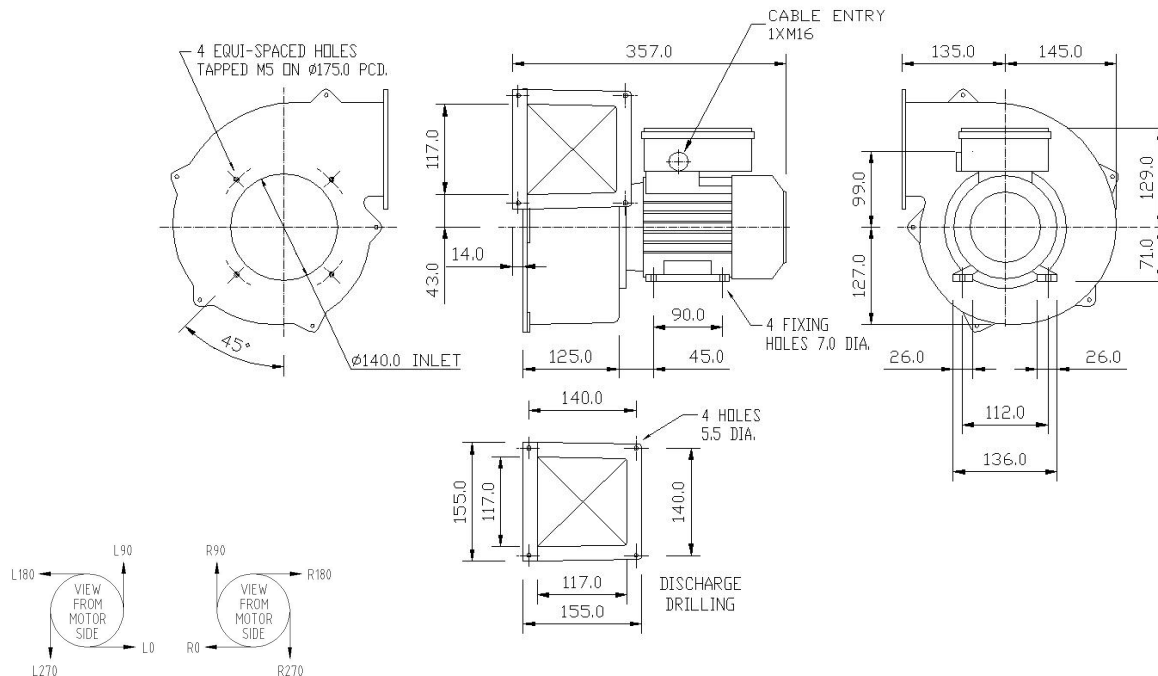
ACI - Effective Air is our Business

Performance details:



Motor type:	Squirrel cage induction motor IP55 as std, IP65 available
Nominal supply:	220/240V or 115V 1Ph 50/60Hz 380/420VY / 220/240VD 3Ph 50Hz 440/480VY / 250/280VD 3Ph 60Hz
Standard ancillaries:	Inlet and discharge guards, inlet filters, spigots
Materials:	Fan case: cast aluminium LM6 Impellers: aluminium 1200 H14
Finishes:	Stove enamel as std
Mounting:	Motor feet or pedestal
Noise levels:	87dB(A) Free Air, 1 metre
Weight:	10Kg for 2 pole unit
Variations:	Increased safety to ATEX std available

Outline Dimensions:



Please note (1) - all drawings measurements are in millimeters (mm)
Please note (2) - above technical specifications are subject to change

AIR CONTROL INDUSTRIES LTD.
 Weycroft Avenue, Millwey Industrial Estate, Axminster, EX13 5HU
 Tel: 0845 5000 501, Fax: 0845 5000 502

AIR CONTROL INDUSTRIES INC.
 76 Augusta Rockland Road, Windsor, ME 04363, USA
 Tel: 207-445-2518, Fax: 207-445-2497

www.aircontrolindustries.com/ / sales@aircontrolindustries.com

Ref: Centrifugal VBW6 Iss 10/1



Certificate No. FM20497