

Manual Single Phase Electronic Control (REE Type)

The REE range provides a simple solution to controlling the speed of fans. They have a manual dial which can control the fan speed from 20% to 100%. REE speed controllers can be used in conjunction with ACI Slimline Centrifugal fans. In addition, they are suitable for all the Ebm Papst external rotor motors up to 10 Amp current rating.

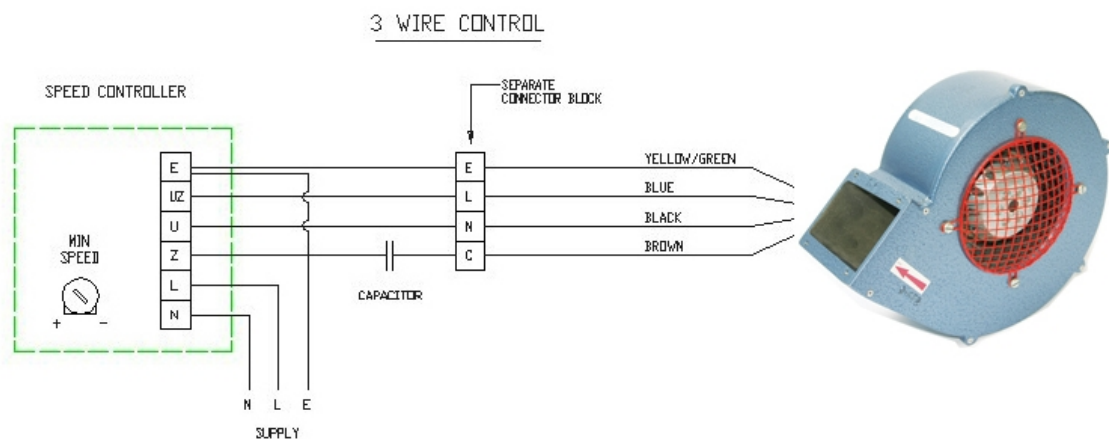


Features:

- 230v 50/60Hz single phase AC input.
- On/Off switch.
- Internal pre-set for minimum speed.
- Maximum ambient 40°C.
- Two wire control = Simple connection or three wire control = Cooler running of fan motor and better response to speed adjustment.

Speed Controller Type	Current Rating (AMP)	Dimensions (mm)
REE10	1	104 x 85 x 40
REE30	3	131 x 102 x 50
REE50	5	118 x 95 x 57
REE70	7	120 x 95 x 73
REE100	10	143 x 94 x 67

REE Three Wire Control Diagram



Please Note: ACI's QB EC Fan Range has noiseless fan speed control pre-fitted.