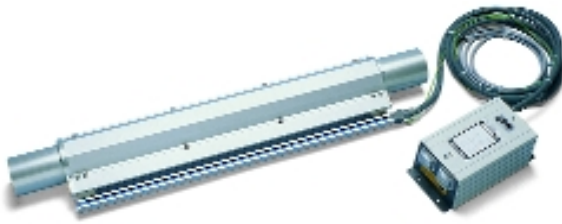


ACI can supply a range of Static Neutralising Airknives that produce high velocity, precisely controlled blades of ionised air that can be utilised in an assortment of cleaning and static elimination tasks.

STD Bar Type

Mechanical

Cable: PVC and PE, 3m
 Material: Anodised aluminium, PVC and ABS, Stainless Steel 302
 Weight: Approximately 0.5Kg per mtr
 Ambient Temperature: Max.55°C

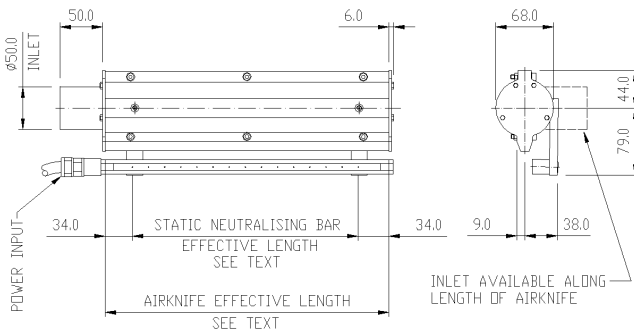


Electrical

Operating Voltage: 700V AC
 Current: Emitter point to earth max. 20µA
 Optional: Shielded cable right angle exit
 Power units: A2 A7 S, C2

Each emitter point of this anti static bar is individually coupled to the high voltage. This results in no sensation of shock when any point is accidentally touched. A further advantage is that the bar continues to function properly even when a few points are short circuited e.g. due to dirt and dust.

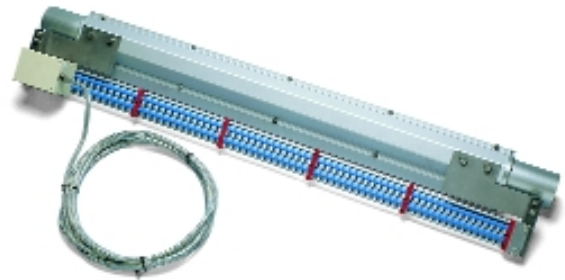
Typical Outline Drawing:



EX Bar Type

Mechanical

Cable: Neoprene, 5m
 Material: Anodised aluminium, PVC, Stainless Steel 302
 Weight: Basic 2kg , plus 0.8Kg per mtr
 Ambient Temperature: Max.55°C

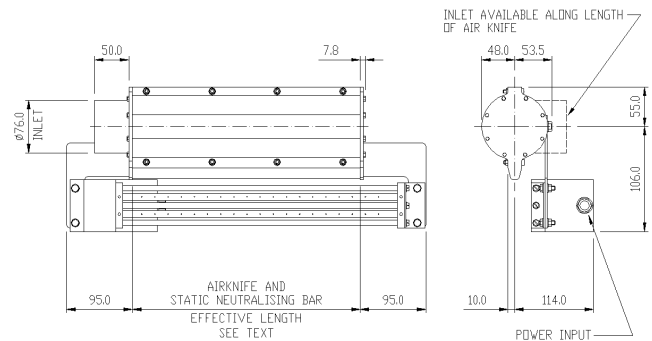


Electrical

U Primary: 230V, 50Hz
 Current: Max. 0.2A

The extra protected bar is provided with an integral power unit. The use of high voltage cable is therefore eliminated. This bar has been approved by: PTB, SEV, BASEEFA and LCIE for use in certain hazardous environments. Other approvals are applied for. The 5m long primary cable can be connected to the line voltage and a neon bulb indicates that high voltage is present. The extra protected bar under certain conditions can neutralise from a maximum distance of 600mm.

Typical Outline Drawing:



Please note - static bars are available in increments of 10mm.

Ref: Airknife 6/6 08/Iss1



Certificate No. FM20497

Above technical specifications are subject to change:

AIR CONTROL INDUSTRIES LTD Tel: +44(0)845 5000 501
 Silver Street, Chard, Somerset, Web: www.aircontrolindustries.com
 TA20 2AE, UK Email: sales@aircontrolindustries.com