

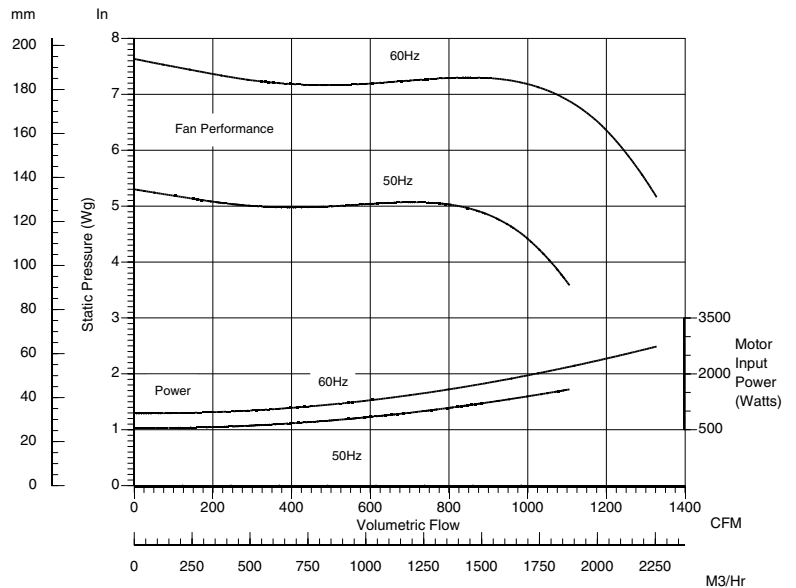
# Centrifugal Fan VBM9

## Single Inlet Centrifugal Fan

### General Characteristics:

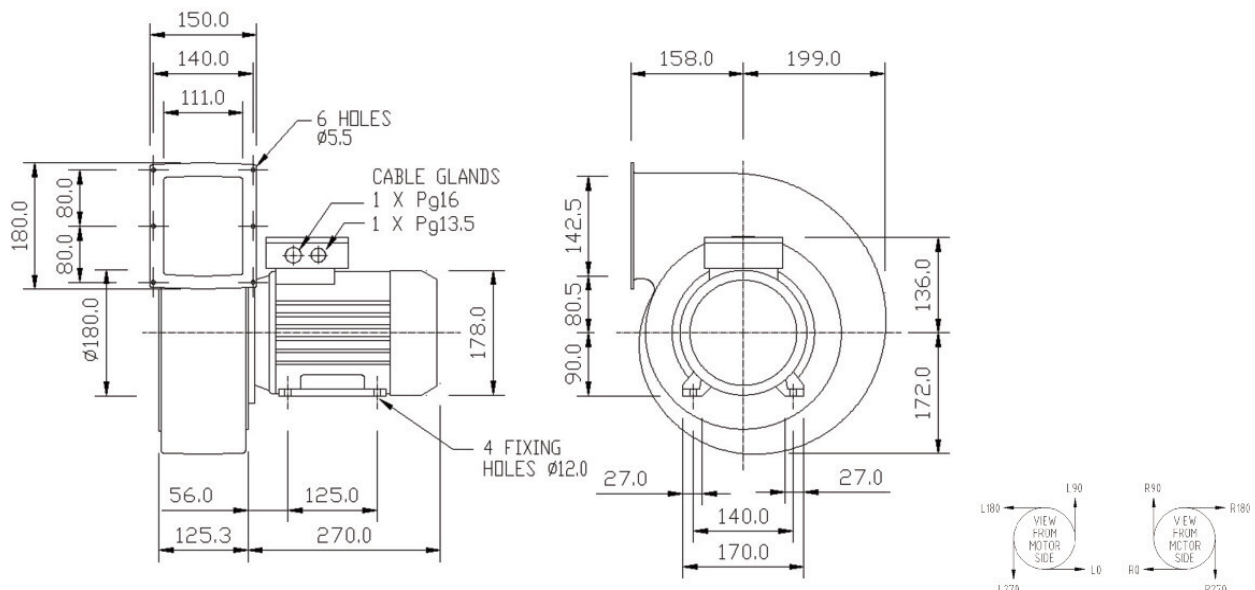


<b>Motor type:</b>	Squirrel cage induction motor IP55 as std
<b>Nominal supply:</b>	380/420VY / 200/240VD 3Ph 50hz 440/480VY / 250/280VD 3Ph 60Hz
<b>Ancillaries:</b>	Inlet & discharge guards, Inlet filters, Spigots
<b>Materials:</b>	Fan case: Cast aluminium LM6 Impellers: Galvanised sheet steel
<b>Finishes:</b>	Unpainted or stove enamel (black) as std
<b>Mounting options:</b>	Motor feet or Pedestal
<b>Noise levels:</b>	80dB(A) Free Air, 1M
<b>Weight:</b>	16Kgs / 35Lbs
<b>Motor Variations:</b>	ATEX, CE, CSA, UL available



### Outline dimensions:

[Note: motor shown is for 50Hz performance.  
Motor dimensions for 60Hz operation may vary]



**Air Control Industries**

Ref: CENT VBM9 2011/V1

Please note (1) - all drawings measurements are in millimeters (mm)  
Please note (2) - above technical specifications are subject to change

**AIR CONTROL INDUSTRIES LTD**  
Weycroft Avenue, Millwey Industrial Estate  
Axminster, Devon, EX13 5HU  
t: 0845 5000 501 f: 0845 5000 502  
e: sales@aircontrolindustries.com  
w: www.aircontrolindustries.com

**AIR CONTROL INDUSTRIES INC**  
76 Augusta Rockland Road  
Windsor, Maine, ME 04363  
t: 207 445 2518 f: 207 445 2497  
e: aciinc@aircontrolindustries.com