

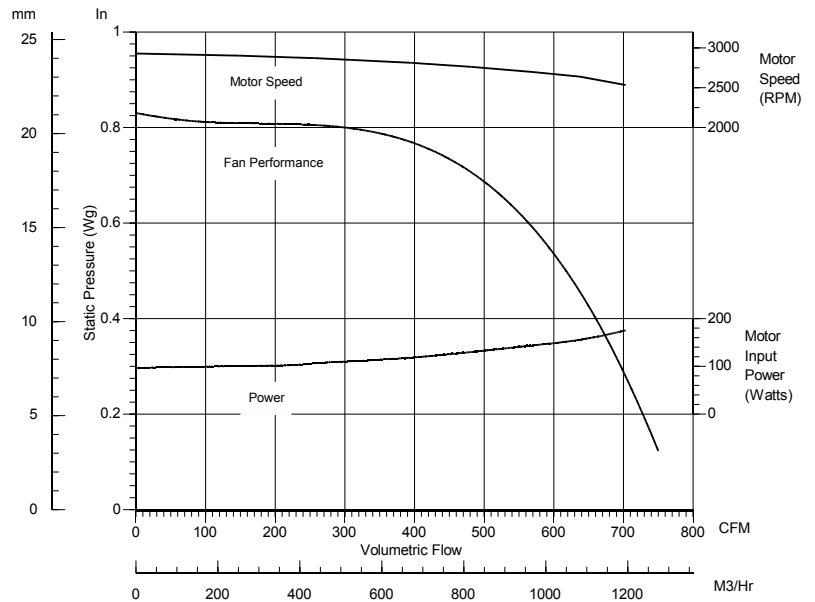
# Slimline Fan VBW7/3

## Single Inlet Centrifugal Fan

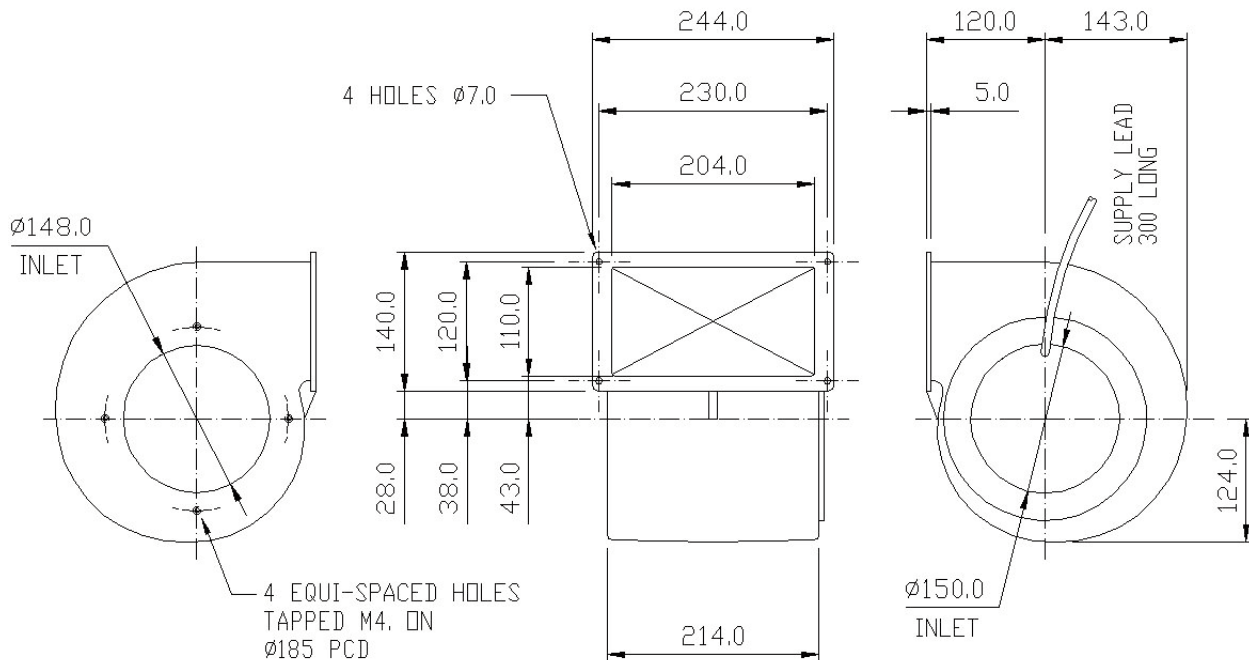
### General Characteristics:



<b>Motor type:</b>	External rotor motor / shaded pole induction IP44
<b>Nominal supply:</b>	230V 1Ph 50/60Hz 115V 1Ph 50/60Hz
<b>Ancillaries:</b>	Inlet & discharge guards, inlet filters
<b>Materials:</b>	Fancase - cast aluminium LM6 Impeller - galvanised sheet steel
<b>Finishes:</b>	Stove enamel as std
<b>Mounting options:</b>	Inlet & discharge drillings
<b>Noise levels:</b>	59dB(A) Free Air, 1 metre
<b>Weight:</b>	6.8Kg / 14.9Lbs



### Outline dimensions:



**Air Control Industries**

Ref: Slimline VBW7/3 2011/V1

Please note (1) - all drawings measurements are in millimeters (mm)  
Please note (2) - above technical specifications are subject to change

**AIR CONTROL INDUSTRIES LTD**  
Weycroft Avenue, Millwey Industrial Estate  
Axminster, Devon, EX13 5HU  
t: 0845 5000 501 f: 0845 5000 502  
e: sales@aircontrolindustries.com  
w: www.aircontrolindustries.com

**AIR CONTROL INDUSTRIES INC**  
76 Augusta Rockland Road  
Windsor, Maine, ME 04363  
t: 207 445 2518 f: 207 445 2497  
e: aciinc@aircontrolindustries.com