

Centrifugal Fan VBW7

Single Inlet Centrifugal Fan

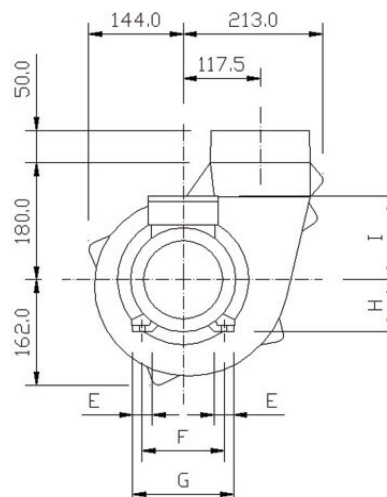
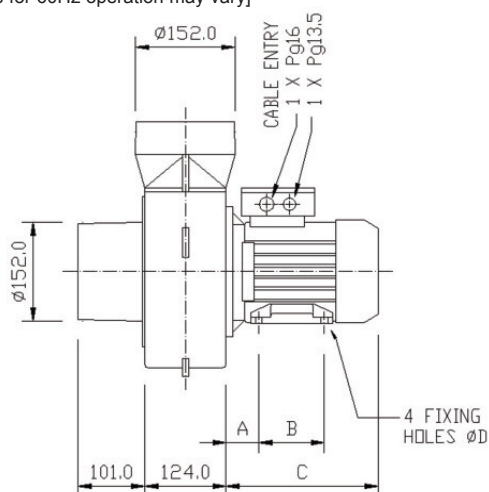
General Characteristics:



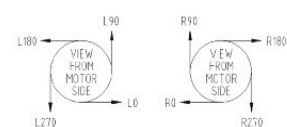
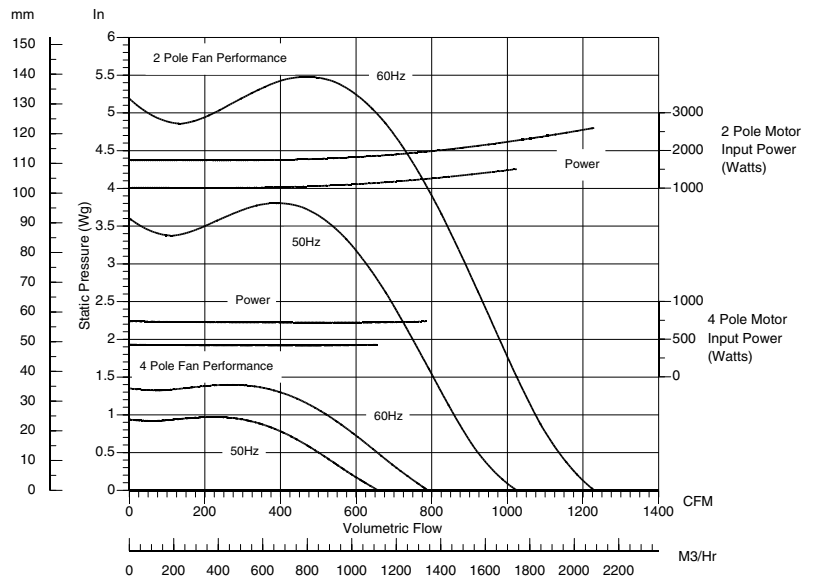
Motor type:	Squirrel cage induction motor IP55 as std, IP65 available
Nominal supply:	220/240V or 115V 1Ph 50/60Hz 380/420VY / 220/240VD 3Ph 50Hz 440/480VY / 250/280VD 3Ph 60Hz
Ancillaries:	Inlet & discharge guards, Inlet filters, Spigots
Materials:	Fancase: Cast aluminium LM6 Impellers: Galvanised sheet steel
Finishes:	Unpainted or stove enamel (black) as std
Mounting options:	Motor feet or Pedestal
Noise levels:	94dB(A) for 2 Pole, Free Air, 1M 73dB(A) for 4 Pole, Free Air, 1M
Weight:	14Kgs / 31Lbs
Motor Variations:	ATEX, CE, CSA, UL available

Outline dimensions:

[Note: motor shown is for 50Hz performance.
Motor dimensions for 60Hz operation may vary]



	A	B	C	D	E	F	G	H	I
2 POLE	50	100	292	9	30	125	154	80	129
4 POLE	50	90	210	9	30	112	136	71	99



Air Control Industries

Ref: CENT VBW7 2011/V1

Please note (1) - all drawings measurements are in millimeters (mm)
Please note (2) - above technical specifications are subject to change

AIR CONTROL INDUSTRIES LTD
Weycroft Avenue, Millwey Industrial Estate
Axminster, Devon, EX13 5HU
t: 0845 5000 501 f: 0845 5000 502
e: sales@aircontrolindustries.com
w: www.aircontrolindustries.com

AIR CONTROL INDUSTRIES INC
76 Augusta Rockland Road
Windsor, Maine, ME 04363
t: 207 445 2518 f: 207 445 2497
e: aciinc@aircontrolindustries.com