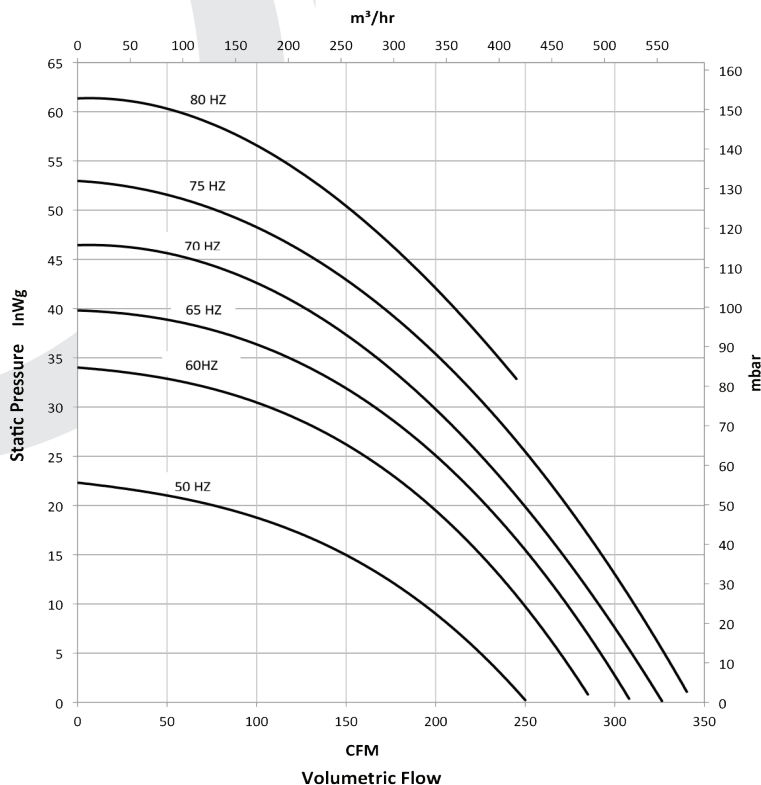
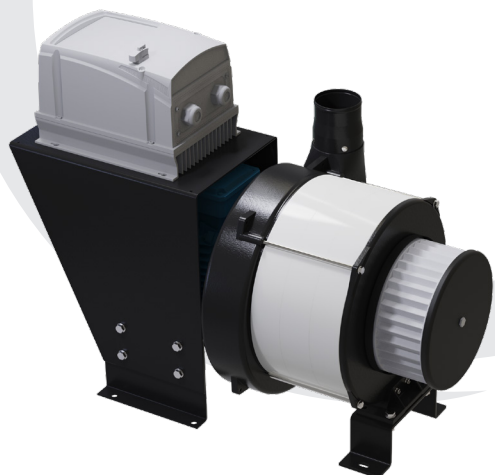


Multi Stage 5MS11

Backward Curved, Single Inlet Centrifugal Fan



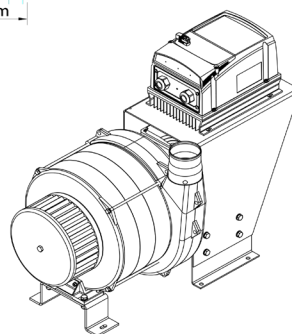
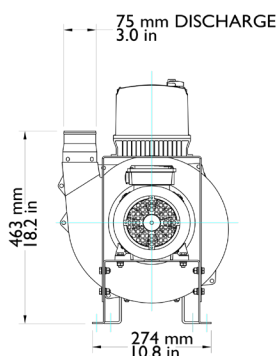
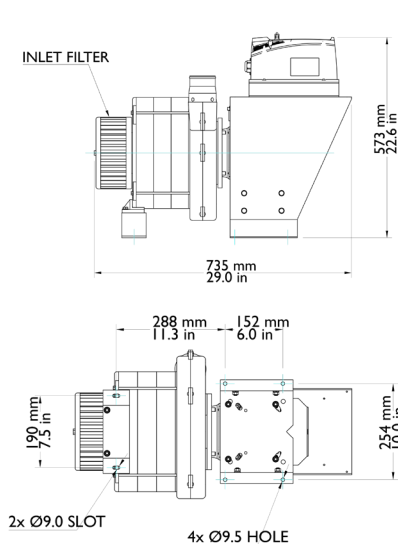
Please note:

1. Performance graphs show data tested to BS EN ISO 5801:2017 standard.
2. Imagery may not be representative of the unit supplied.

Motor type: Induction type, 3ph
Nominal supply: 380/460 V, 3ph, 50/60 Hz
Bearings: Ball type, lubricated for life
Noise levels: Up to 90dB(A)

Materials: Inlets & Fanscrolls: Cast aluminium
 Stators: White polyester resin
 Impellers: Aluminium 1200 H14

Outline Dimensions



Please note:

1. Dimensions may vary depending on chosen motor specification.
2. All drawings measurements are in millimetres (mm).
3. Technical specifications are subject to change.
4. Outer body of motor rotates during operation.



AIR CONTROL INDUSTRIES

shaping air movement since 1969

E: sales@aircontrolindustries.com

W: www.aircontrolindustries.com