



Multi Stage MS11/168

Backward Curved, Single Inlet Centrifugal Fans

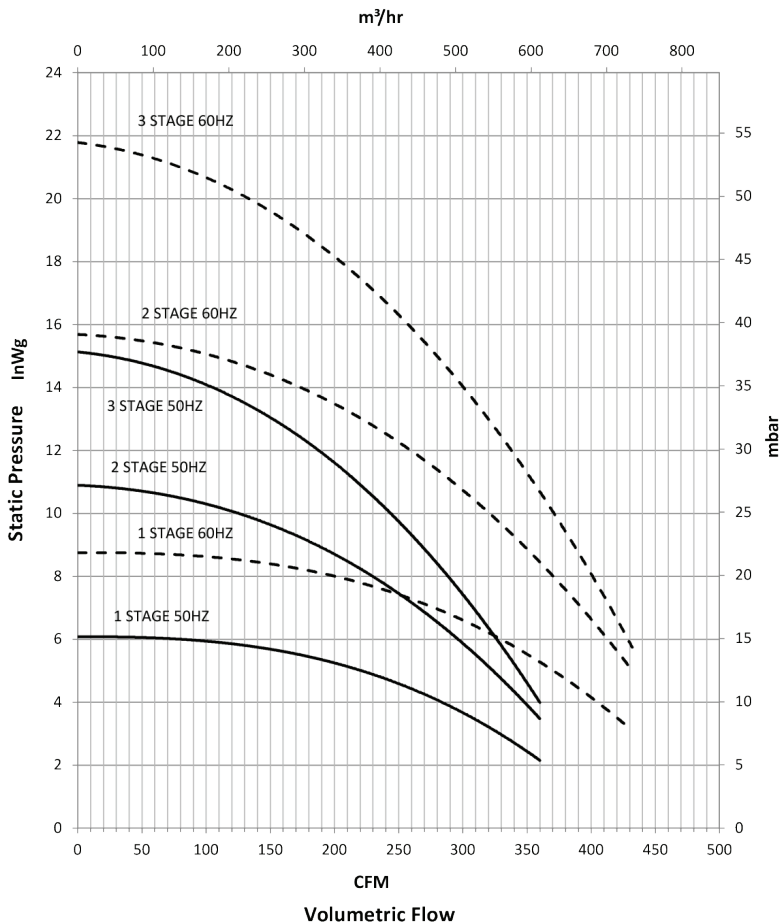
General Characteristics:



[Please note - image above may not be representative of the unit supplied]

Motor type:	Induction type, IPh, capacitor start and run		
Nominal supply:	Volts	Ph	Hz
	100	1	60
	110-115	1	50/60
	120	1	60
	240	1	50
	380-420/220-240	3	50/60
	440-480/250-280		
Options:	Inlet and discharge spigots		
Materials:	Inlets & Fanscrolls: Aluminium Stators: Aluminium Impellers: Aluminium 1200 H14		
Bearings:	Ball type, lubricated for life		
Mounting options:	Build-in- type / with feet		

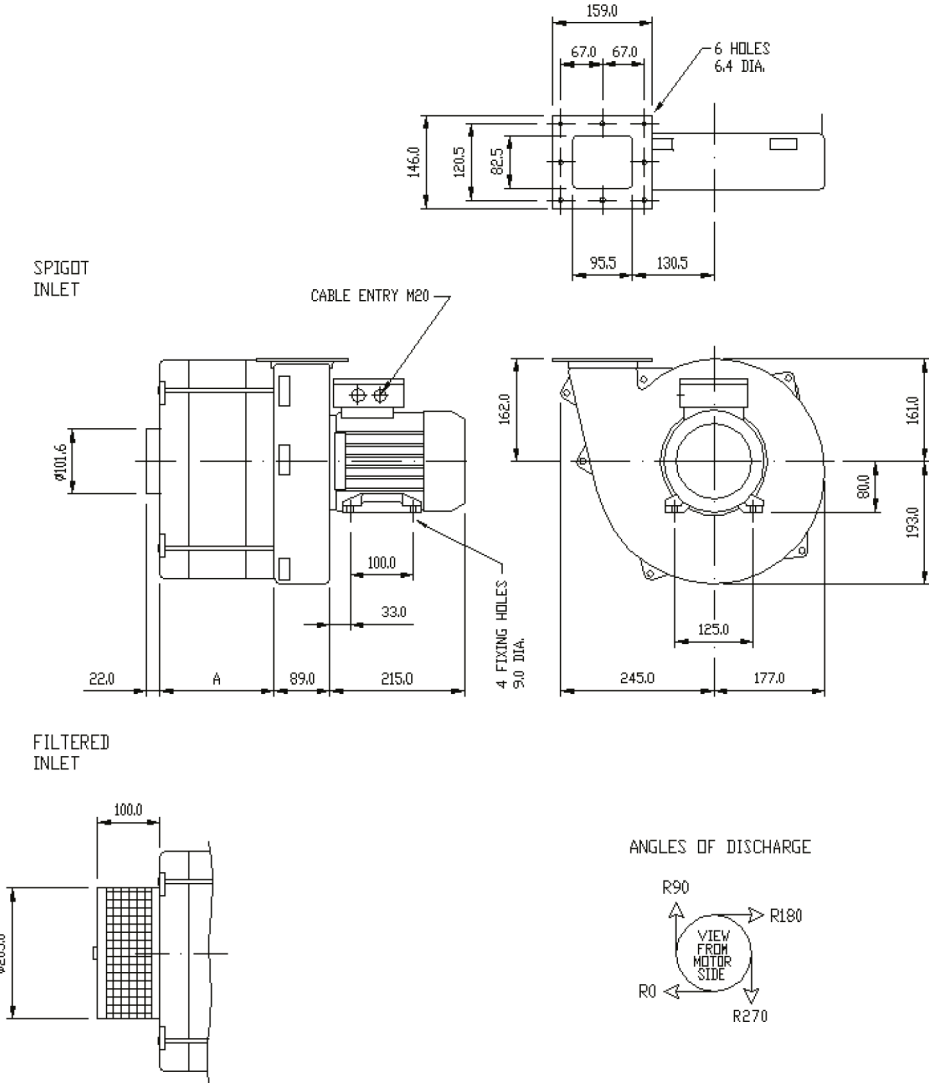
Performance Details:



Multi Stage MS11/168

Backward Curved, Single Inlet Centrifugal Fans

Outline dimensions:



Unit	A	Weight (Kgs)	Filtered Inlet
1MS11/168	0	15	16.5
2MS11/168	92	18	19.5
3MS11/168	182	22	23.5
4MS11/168	272	26	27.5

Please note (1) - all drawings measurements are in millimeters (mm)
 Please note (2) - above technical specifications are subject to change

Air Control Industries Ltd
 Weycroft Avenue, Millwey Rise Industrial Estate,
 Axminster, Devon, EX13 5HU, United Kingdom
 Tel: +44(0)1297 529242 Fax: +44(0)1297 529241
 Email: sales@aircontrolindustries.com

www.aircontrolindustries.com