

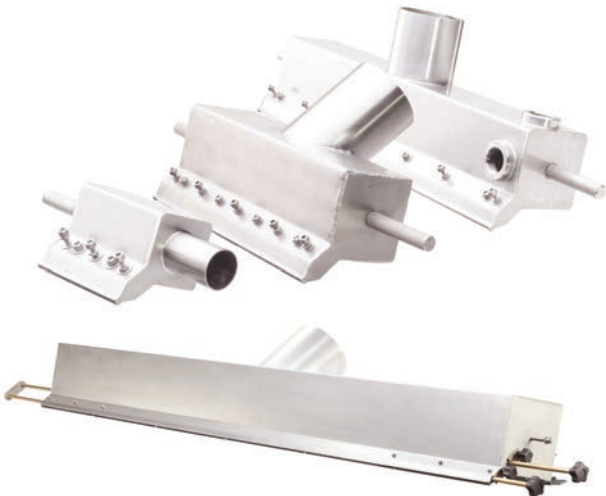
Air Knife Systems

Stainless Steel - AKSS05 / AKSS08 / AKSS10

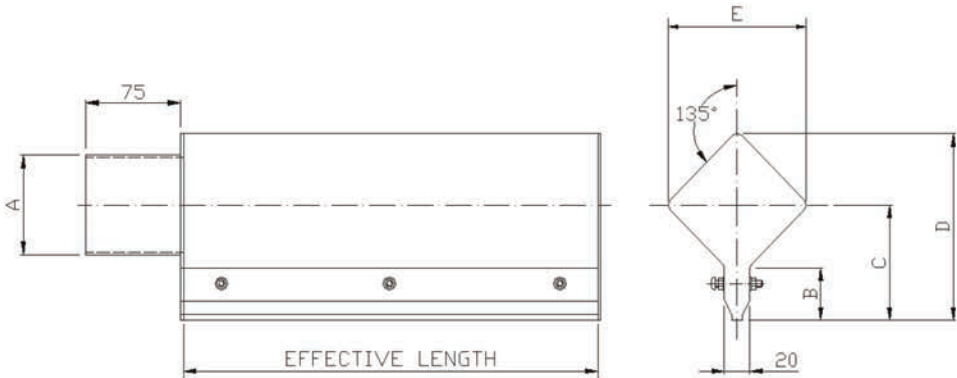
Fabricated from 304, the stainless steel range of air knives are perfectly suited for harsh or corrosive environments, in particular the food and beverage industries where cleanliness is of paramount importance.

ACI stainless steel air knives are readily supplied to suit precise individual customer needs:

- Materials - plenum chamber stainless steel 304 S11 I-4307 BSI449 / Fittings to the same specification (A2)
- Various mounting options available, including studs/spigots, tapped holes and brackets
- Longer inlets available - note, multiple inlets may be required for longer air knives
- Air knife lengths available in 10mm increments, up to 4 metres for AKSS10 - see table below
- Available as chevrons, square and multiple angle designs
- Stainless Steel 316 and adjustable designs available

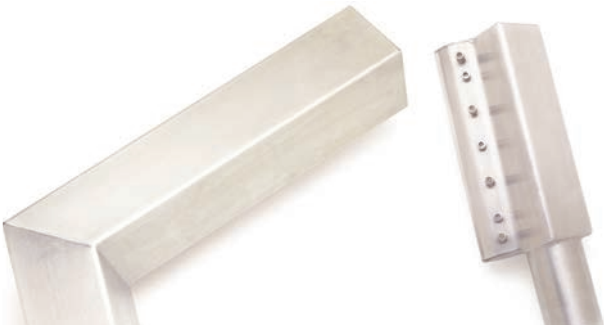


Drawing 6: AKSS05 / AKSS08 / AKSS10 Outlines



Air knife type	A	B	C	D	E	Recommended dia. / max length for 1mm slot		
						1 end inlet (mm)	2 end inlets (mm)	Multiple inlets
AKSS05	50	36	66	103	74	Ø50mm, up to 450mm long	Ø50mm, up to 900mm long	Ø50mm, up to 3500mm long
AKSS08	76	40	88	142	109	Ø76mm, up to 1200mm long	Ø76mm, up to 2400mm long	Ø76mm, up to 3000mm long
AKSS10	100	40	106	178	144	Ø100mm, up to 2000mm long	Ø100mm, up to 4000mm long	Ø100mm, up to 4000mm long

Please note - air knife lengths in increments of 10mm



Air Knife Systems

Anodised Aluminium - AK05 / AK08

Drawing 7: Examples of different AKSS design options

