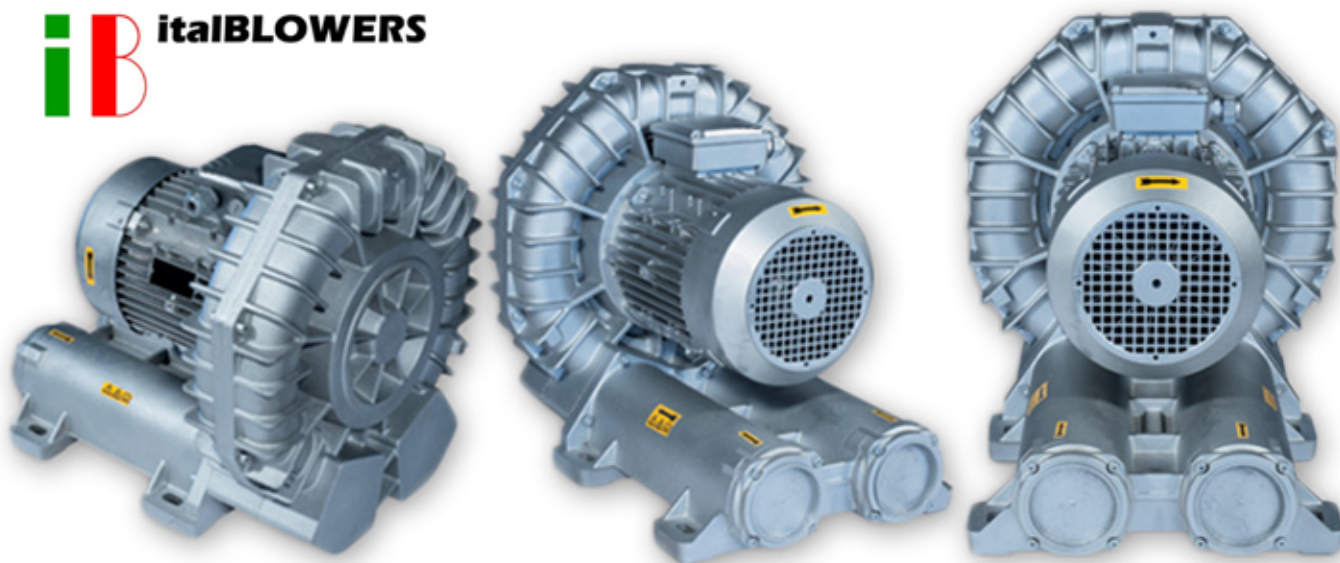


Side Channel Blowers

A comprehensive range of Single and Double stage Lateral Channel Blowers

 **italBLOWERS**



Air Control Industries Ltd is the official UK & Ireland distributor for the italBlowers range of side channel blowers and exhausters.

Available as single and double stage side channel blowers and compressors, in both 50Hz or 60Hz versions

Side Channel Compressors:

- 50/60Hz blower delivers pressure up to 650 mbar and flow rates up to 2000 m³/hr.

Side Channel Exhausters:

- 50/60Hz blower achieves pressure of -450 mbar and flow rates of 2000 m³/hr.

Accessories:

A variety of spares and accessories are available to compliment our range of side channel blowers, including Filters, Silencers, Pressure Gauges, Hoses, Manifolds, Safety Valves, BSP Fittings and Sound Enclosures.



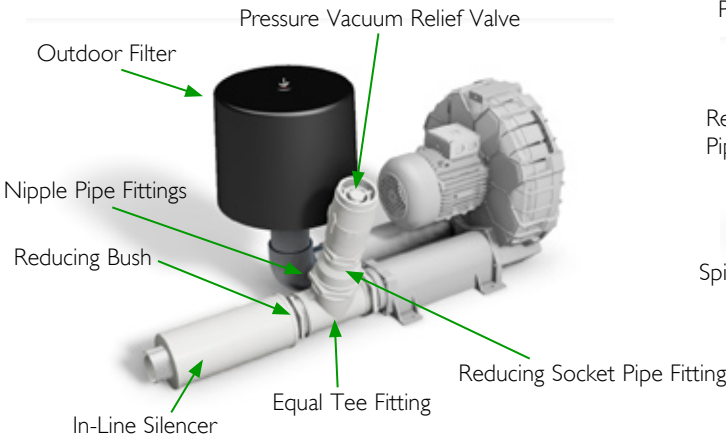
Side Channel Blowers

A comprehensive range of Single and Double stage Lateral Channel Blowers

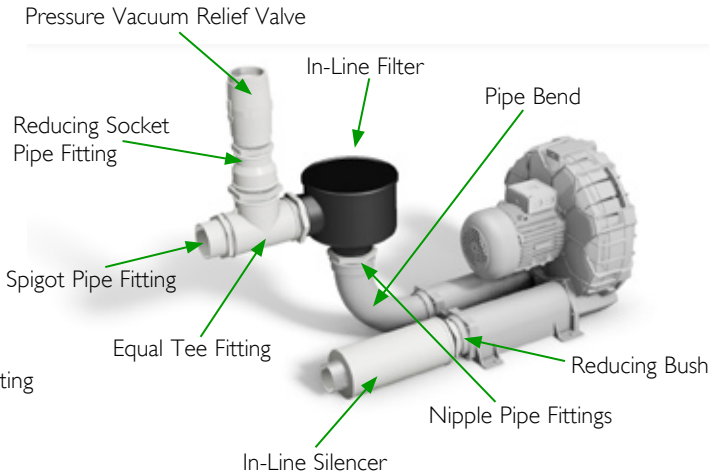
Accessories

A variety of spares and accessories are available to compliment our range of side channel blowers.

Side Channel Blowers - Pressure Configuration



Side Channel Blowers - Vacuum Configuration



ATEX Versions

A comprehensive range of regenerative blowers for compressing applications is available.

In addition to the standard side channel compressors, ATEX certified versions have been designed.

Please refer to the following web addresses for further information:

www.aircontrolindustries.com/products/industrial-fans/side-channel-blowers/side-channel-compressors/



Air Control Industries Ltd
 Weycroft Avenue, Millwey Rise Industrial Estate,
 Axminster, Devon, EX13 5HU, United Kingdom
 Tel: +44(0)1297 529242 Fax: +44(0)1297 529241
 Email: sales@aircontrolindustries.com

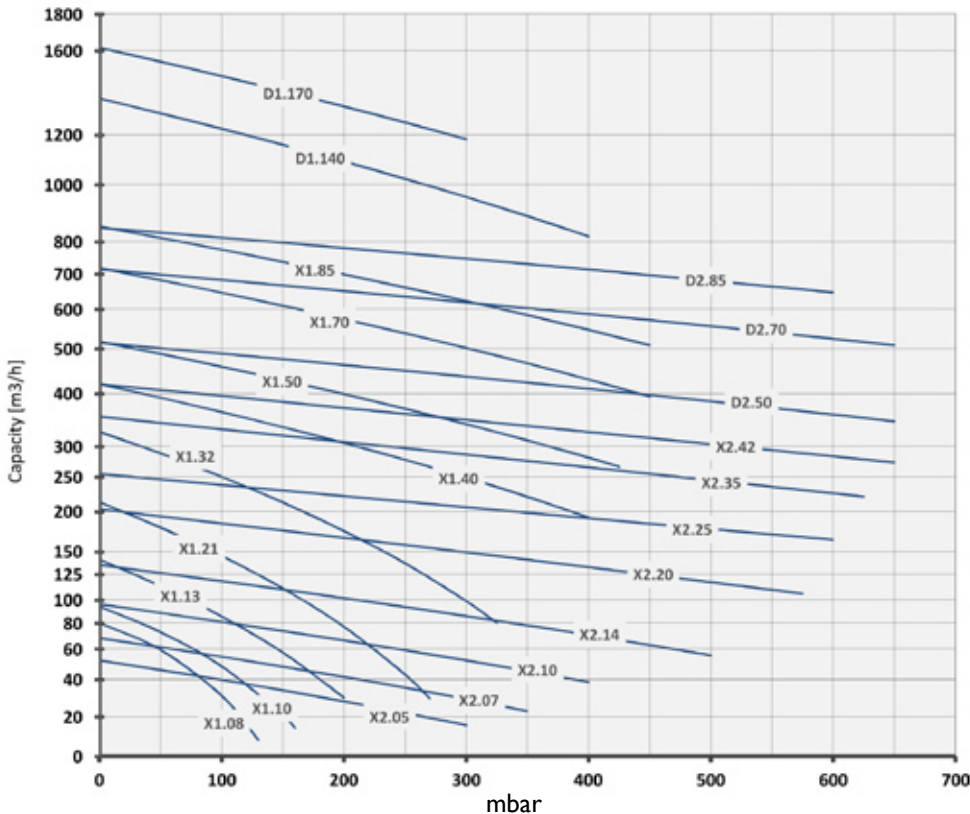
www.aircontrolindustries.com

Side Channel Blowers

A comprehensive range of Single and Double stage Lateral Channel Blowers

Side Channel Compressors 50Hz

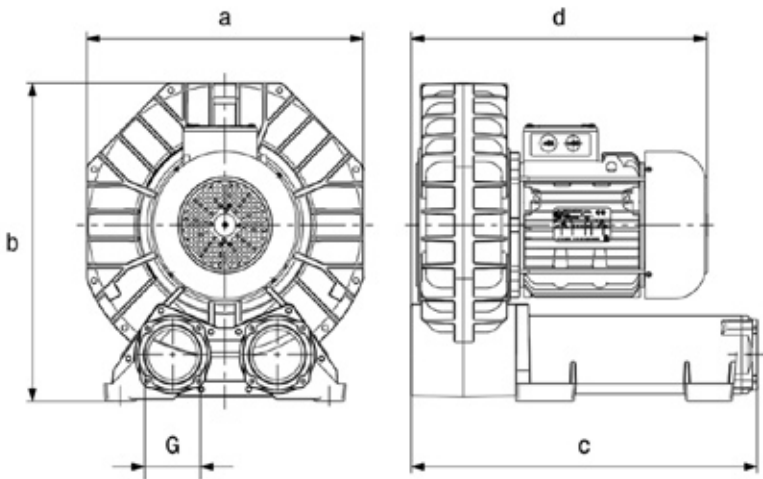
Performance Curves



The illustrated curves to the left are for selection purposes only. For full performance details, please contact us to speak to one of our sales engineers.



Overall Dimensions



Blower Model	a	b	c	d	G	
SINGLE STAGE	X1.08	246	247	229	236	G 1 1/4"
	X1.10	268	272	234	260	G 1 1/2"
	X1.13	285	302	240	294	G 1 3/4"
	X1.21	334	337	298	346	G2"
	X1.32	382	384	333	432	G2"
	X1.40	424	475	506	453	G3"
	X1.50	454	490	506	453	G3"
	X1.70	495	534	604	558	G4"
	X1.85	523	565	604	558	G4"
	D1.14	495	605	935	852	G5"
	D1.17	523	636	935	852	G5"

Blower Model	a	b	c	d	G	
DOUBLE STAGE	X2.05	270	297	325	280	G 1 1/4"
	X2.07	295	325	334	305	G 1 1/4"
	X2.10	332	366	347	318	G 1 1/2"
	X2.14	370	408	360	342	G 1 3/4"
	X2.20	424	475	506	453	G3"
	X2.25	454	490	506	453	G3"
	X2.35	495	534	604	558	G4"
	X2.42	523	565	604	558	G4"
	D2.50	454	490	637	679	G3"
	D2.70	495	534	783	852	G4"
D2.85	523	565	783	852	G4"	

Side Channel Blowers

A comprehensive range of Single and Double stage Lateral Channel Blowers

Side Channel Compressors 60Hz Performance Data



Blower Model	0		50		100		150		200		250		300		350		400		500		600		Maximum Pressure [hPa]	Capacity [m3/h]	Installed Power [kW]				
	Δp [hPa] (mbar)	Capacity [m3/h]	Capacity [m3/h]	Capacity [m3/h]	Capacity [m3/h]	Capacity [m3/h]	Capacity [m3/h]	Capacity [m3/h]	Capacity [m3/h]	Capacity [m3/h]	Capacity [m3/h]	Capacity [m3/h]	Capacity [m3/h]	Capacity [m3/h]	Capacity [m3/h]	Capacity [m3/h]	Capacity [m3/h]	Capacity [m3/h]	Capacity [m3/h]	Capacity [m3/h]	Capacity [m3/h]	Capacity [m3/h]							
SINGLE STAGE	X1.08	96	0,5	80	0,5	60	0,5	-	-	-	-	-	-	-	-	-	-	-	-	-	-	-	-	120	50	0,5			
	X1.09	110	0,62	96	0,62	77	0,62	56	0,62	-	-	-	-	-	-	-	-	-	-	-	-	-	-	-	150	56	0,62		
	X1.13	175	0,95	147	0,95	123	0,95	100	1,5	-	-	-	-	-	-	-	-	-	-	-	-	-	-	-	180	85	1,5		
	X1.21	250	1,75	229	1,75	201	1,75	172	1,75	144	2,55	116	2,55	-	-	-	-	-	-	-	-	-	-	-	-	250	116	2,55	
	X1.32	390	2,55	362	2,55	331	2,55	299	2,55	268	3,45	237	4,6	205	4,6	-	-	-	-	-	-	-	-	-	-	300	205	4,6	
	X1.40	507	5,5	483	5,5	460	5,5	436	5,5	412	5,5	389	7,5	365	7,5	342	9,2	318	9,2	-	-	-	-	-	-	425	306	9,2	
	X1.50	624	7,5	600	7,5	575	7,5	551	7,5	526	7,5	502	9,2	477	11,0	453	11,0	427	11,0	-	-	-	-	-	-	450	375	11,0	
	X1.70	865	9,2	836	9,2	806	9,2	776	9,2	746	9,2	717	11,0	687	15,0	657	15,0	627	15,0	-	-	-	-	-	-	450	598	18,5	
	X1.85	1026	11,0	994	11,0	963	11,0	931	11,0	900	15,0	868	15,0	837	18,5	805	18,5	775	18,5	-	-	-	-	-	-	375	790	18,5	
	D1.140	1645	15,0	1588	15,0	1532	15,0	1475	15,0	1419	18,5	1362	18,5	1306	22,0	-	-	-	-	-	-	-	-	-	-	300	1306	22,0	
D1.170	1949	18,5	1889	18,5	1829	18,5	1770	22,0	-	-	-	-	-	-	-	-	-	-	-	-	-	-	-	-	175	1740	22,0		
DOUBLE STAGE	X2.05	63	0,55	58	0,55	52	0,55	47	0,55	42	0,55	37	0,55	32	0,55	-	-	-	-	-	-	-	-	-	325	30	0,55		
	X2.07	82	1,1	76	1,1	71	1,1	65	1,1	60	1,1	54	1,1	49	1,1	44	1,1	-	-	-	-	-	-	-	-	375	41	1,1	
	X2.10	116	1,5	110	1,5	103	1,5	97	1,5	91	1,5	85	1,5	79	1,5	73	1,5	67	2,2	-	-	-	-	-	-	450	61	2,2	
	X2.14	163	2,2	156	2,2	149	2,2	142	2,2	135	2,2	128	2,2	121	2,2	115	2,2	108	3,0	95	3,0	-	-	-	-	-	500	95	3,0
	X2.20	245	4,0	237	4,0	229	4,0	222	4,0	214	4,0	207	4,0	199	5,5	192	5,5	185	5,5	171	7,5	158	7,5	-	-	600	158	7,5	
	X2.25	308	7,5	301	7,5	293	7,5	286	7,5	280	7,5	273	7,5	266	7,5	260	7,5	253	9,2	241	9,2	228	11,0	-	-	600	228	11,0	
	X2.35	427	7,5	417	7,5	408	7,5	398	7,5	389	7,5	379	7,5	370	7,5	361	7,5	352	9,2	334	11,0	317	15,0	-	-	600	317	15,0	
	X2.42	507	9,2	497	9,2	486	9,2	476	9,2	466	9,2	456	9,2	446	9,2	437	11,0	427	11,0	408	15,0	390	15,0	-	-	600	390	15,0	
	D2.50	620	11,0	610	11,0	599	11,0	588	11,0	577	11,0	567	11,0	556	11,0	545	15,0	534	15,0	513	15,0	491	18,5	-	-	600	491	18,5	
	D2.70	861	15,0	847	15,0	834	15,0	821	15,0	808	15,0	795	15,0	782	15,0	769	15,0	756	18,5	730	18,5	-	-	-	-	500	730	18,5	
D2.85	1021	18,5	1007	18,5	993	18,5	980	18,5	966	18,5	952	18,5	938	22,0	924	22,0	-	-	-	-	-	-	-	-	375	917	22,0		

Notes:
(1) Performance data and curves refer to operative conditions to air at 15°C temperature and 1013 hPa (abs) pressure measured at inlet port. Tolerance on capacity value: +/-10%.
1 hPa = 1 mbar

Data subject to change without prior notice.

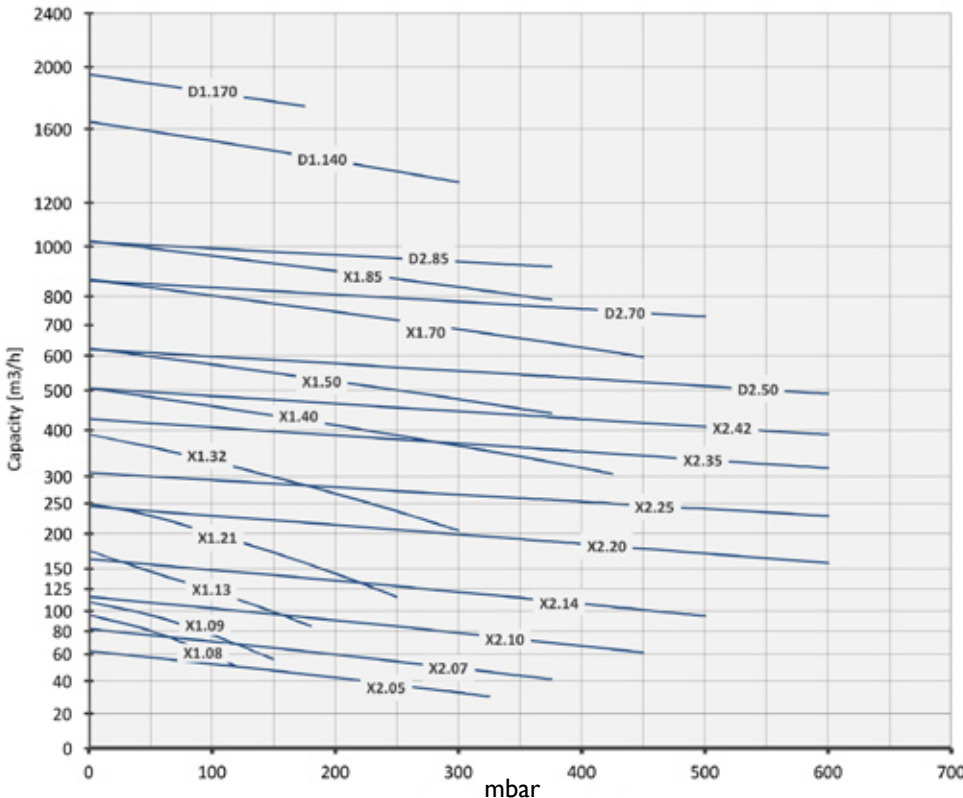
Technical data_Compressors_60-en - rev.02

Side Channel Blowers

A comprehensive range of Single and Double stage Lateral Channel Blowers

Side Channel Compressors 60Hz

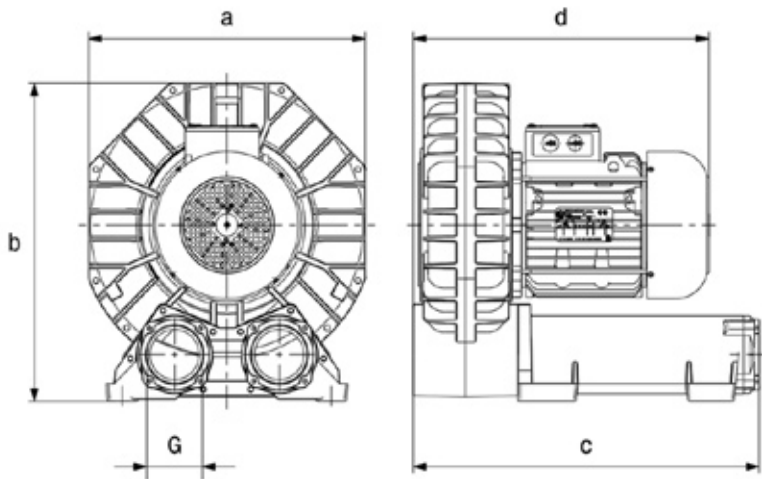
Performance Curves



The illustrated curves to the left are for selection purposes only. For full performance details, please contact us to speak to one of our sales engineers.



Overall Dimensions



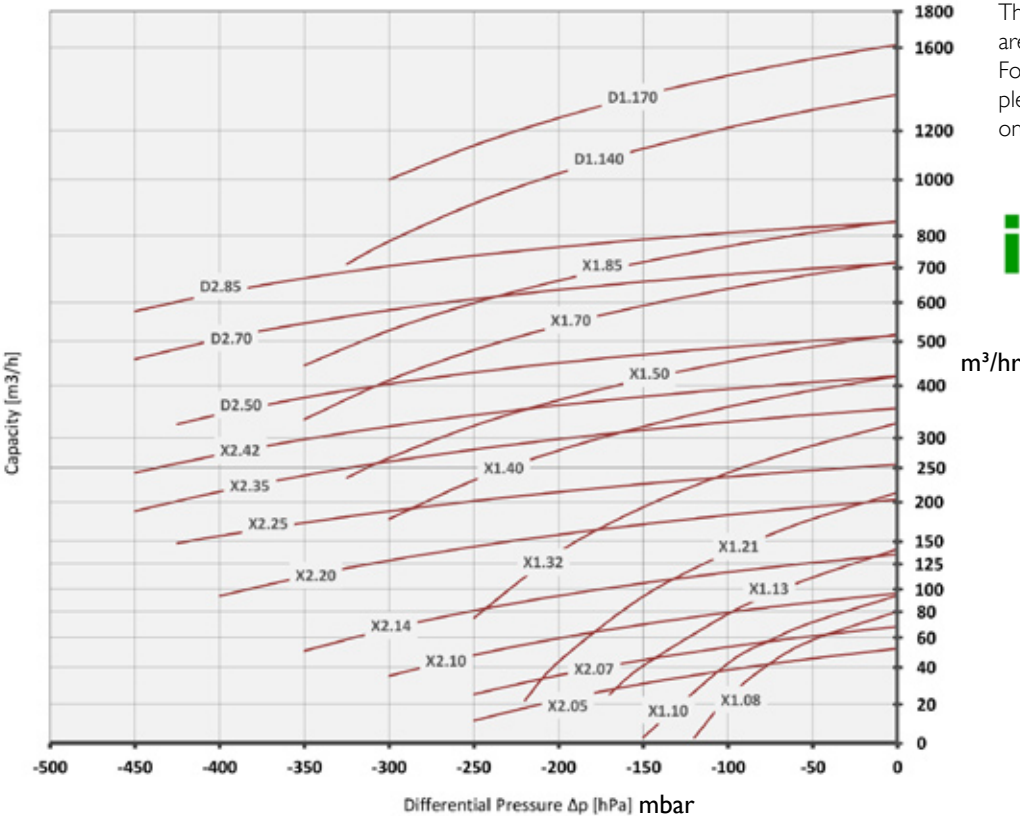
Blower Model	a	b	c	d	G	Blower Model	a	b	c	d	G		
SINGLE STAGE	X1.08	246	247	229	256	G 1 1/2"	DOUBLE STAGE	X2.05	265	303	334	305	G 1 1/2"
	X1.09	268	272	234	260	G 1 1/2"		X2.07	291	323	344	323	G 1 1/2"
	X1.13	285	302	240	294	G 1 1/2"		X2.10	334	366	362	329	G 1 1/2"
	X1.21	334	337	298	346	G2"		X2.14	372	404	372	390	G 1 1/2"
	X1.32	382	384	333	432	G2"		X2.20	424	475	529	453	G3"
	X1.40	424	475	529	453	G3"		X2.25	454	490	529	453	G3"
	X1.50	454	490	529	485	G3"		X2.35	512	564	597	561	G4"
	X1.70	512	564	597	561	G4"		X2.42	523	565	604	598	G4"
	X1.85	523	565	604	558	G4"		D2.50	483	510	520	898	G3"
	D1.140	512	634	917	735	G5"		D2.70	560	636	950	907	G4"
	D1.170	523	634	928	832	G5"		D2.85	564	636	991	1070	G4"

Side Channel Blowers

A comprehensive range of Single and Double stage Lateral Channel Blowers

Side Channel Exhausters 50Hz

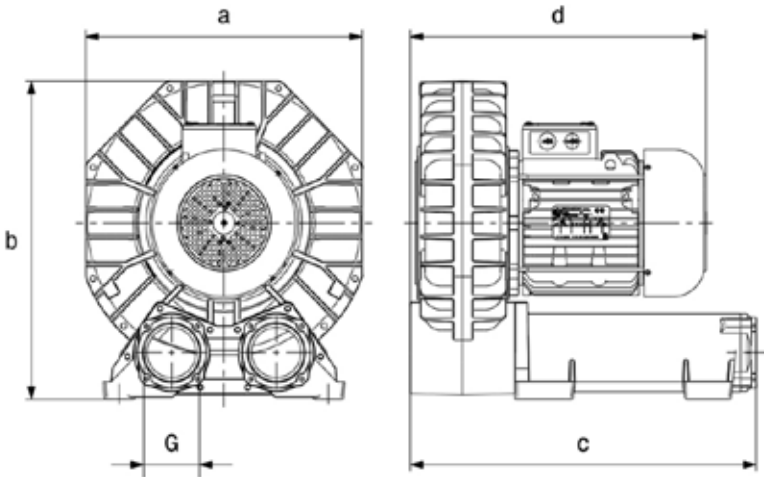
Performance Curves



The illustrated curves to the left are for selection purposes only. For full performance details, please contact us to speak to one of our sales engineers.



Overall Dimensions



Blower Model	a	b	c	d	G	
SINGLE STAGE	X1.08	246	247	229	256	G 1 1/4"
	X1.10	268	272	234	260	G 1 1/4"
	X1.13	285	302	240	294	G 1 1/4"
	X1.21	334	337	298	346	G2"
	X1.32	382	384	333	432	G2"
	X1.40	424	475	506	453	G3"
	X1.50	454	490	506	453	G3"
	X1.70	495	534	604	558	G4"
	X1.85	523	565	604	558	G4"
	D1.140	495	605	935	852	G5"
D1.170	523	636	935	852	G5"	
DOUBLE STAGE	X2.05	270	297	325	280	G 1 1/4"
	X2.07	295	325	334	305	G 1 1/4"
	X2.10	332	366	347	318	G 1 1/4"
	X2.14	370	408	360	342	G 1 1/4"
	X2.20	424	475	506	453	G3"
	X2.25	454	490	506	453	G3"
	X2.35	495	534	604	558	G4"
	X2.42	523	565	604	558	G4"
	D2.50	454	490	637	679	G3"
	D2.70	495	534	783	852	G4"
D2.85	523	565	783	852	G4"	

Side Channel Blowers

A comprehensive range of Single and Double stage Lateral Channel Blowers

Side Channel Exhausters 60Hz

Performance Data



Blower Model	0		-50		-75		-100		-150		-200		-250		-300		-350		-400		-450		Maximum Vacuum [hPa]	Capacity [m3/h]	Installed Power [kW]					
	Capacity [m3/h]	Installed Power [kW]	Capacity [m3/h]	Installed Power [kW]	Capacity [m3/h]	Installed Power [kW]	Capacity [m3/h]	Installed Power [kW]	Capacity [m3/h]	Installed Power [kW]	Capacity [m3/h]	Installed Power [kW]	Capacity [m3/h]	Installed Power [kW]	Capacity [m3/h]	Installed Power [kW]	Capacity [m3/h]	Installed Power [kW]	Capacity [m3/h]	Installed Power [kW]										
DOUBLE STAGE	X1.08	96	0.5	79	0.5	68	0.5	55	0.5	-	-	-	-	-	-	-	-	-	-	-	-	-	-	-	-	-120	42	0.5		
	X1.09	110	0.62	95	0.62	84	0.62	73	0.62	45	0.62	-	-	-	-	-	-	-	-	-	-	-	-	-	-	-150	45	0.62		
	X1.13	175	0.95	145	0.95	132	0.95	118	0.95	87	1.5	-	-	-	-	-	-	-	-	-	-	-	-	-	-	-180	67	1.5		
	X1.21	250	1.75	227	1.75	211	1.75	194	1.75	158	1.75	116	2.55	-	-	-	-	-	-	-	-	-	-	-	-	-	-230	89	2.55	
	X1.32	390	2.55	360	2.55	343	2.55	324	2.55	283	2.55	237	3.45	185	3.45	126	4.6	-	-	-	-	-	-	-	-	-	-300	126	4.6	
	X1.40	507	5.5	482	5.5	469	5.5	454	5.5	424	5.5	389	5.5	350	7.5	306	7.5	-	-	-	-	-	-	-	-	-	-300	306	7.5	
	X1.50	624	7.5	598	7.5	584	7.5	570	7.5	538	7.5	502	7.5	462	9.2	416	11.0	-	-	-	-	-	-	-	-	-	-325	390	11.0	
	X1.70	865	9.2	834	9.2	817	9.2	799	9.2	761	9.2	717	9.2	668	11.0	612	15.0	547	15.0	-	-	-	-	-	-	-	-350	547	15.0	
	X1.85	1026	11.0	993	11.0	975	11.0	956	11.0	915	11.0	869	15.0	817	15.0	757	18.5	689	18.5	-	-	-	-	-	-	-	-350	689	18.5	
	D1.140	1645	15.0	1586	15.0	1553	15.0	1520	15.0	1446	15.0	1363	18.5	1270	18.5	1163	22.0	-	-	-	-	-	-	-	-	-	-300	1163	22.0	
D1.170	1949	18.5	1886	18.5	1852	18.5	1816	18.5	1738	22.0	1651	22.0	-	-	-	-	-	-	-	-	-	-	-	-	-	-200	1651	22.0		
DOUBLE STAGE	X2.05	63	0.55	57	0.55	54	0.55	51	0.55	45	0.55	37	0.55	29	0.55	-	-	-	-	-	-	-	-	-	-	-250	29	0.55		
	X2.07	82	0.75	76	0.75	73	0.75	70	0.75	62	0.75	54	0.75	46	0.75	36	0.75	-	-	-	-	-	-	-	-	-	-300	36	0.75	
	X2.10	116	1.1	109	1.1	106	1.1	102	1.1	94	1.1	85	1.1	75	1.1	64	1.1	52	1.5	-	-	-	-	-	-	-	-350	52	1.5	
	X2.14	163	2.2	155	2.2	151	2.2	147	2.2	138	2.2	128	2.2	117	2.2	105	2.2	91	2.2	-	-	-	-	-	-	-	-350	91	2.2	
	X2.20	245	4.0	237	4.0	232	4.0	228	4.0	218	4.0	207	4.0	195	4.0	181	5.5	166	5.5	150	5.5	-	-	-	-	-	-	-400	150	5.5
	X2.25	308	7.5	300	7.5	296	7.5	292	7.5	283	7.5	273	7.5	262	7.5	250	7.5	236	7.5	221	9.2	-	-	-	-	-	-	-425	213	9.2
	X2.35	427	7.5	417	7.5	411	7.5	406	7.5	393	7.5	379	7.5	364	7.5	347	7.5	328	7.5	307	9.2	282	9.2	-	-	-	-	-450	282	9.2
	X2.42	507	9.2	496	9.2	490	9.2	484	9.2	471	9.2	456	9.2	440	9.2	422	9.2	402	11.0	379	11.0	353	15.0	-	-	-	-	-450	353	15.0
	D2.50	620	11.0	609	11.0	603	11.0	596	11.0	582	11.0	567	11.0	549	11.0	529	11.0	505	15.0	478	15.0	449	18.5	-	-	-	-	-425	463	15.0
	D2.70	861	15.0	847	15.0	839	15.0	832	15.0	815	15.0	795	15.0	774	15.0	749	15.0	721	15.0	688	18.5	649	18.5	-	-	-	-	-450	649	18.5
D2.85	1021	18.5	1007	18.5	999	18.5	990	18.5	972	18.5	952	18.5	929	18.5	903	22.0	873	22.0	-	-	-	-	-	-	-	-	-375	857	22.0	

Notes:
 (1) Performance data and curves refer to operative conditions to air at 15°C temperature measured at inlet port and a pressure of 1013 hPa (abs) at outlet port.
 Tolerance on capacity value: +/-10%.
 1 hPa = 1 mbar

Data subject to change without prior notice

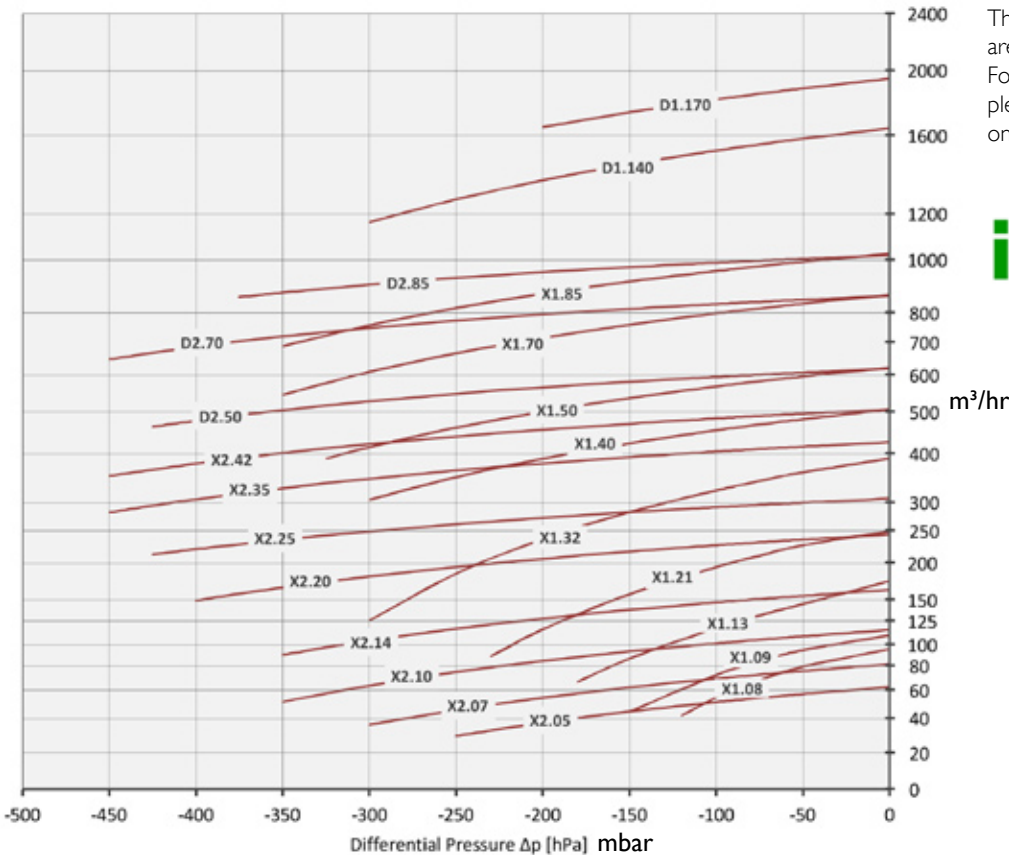
Technical data_Exhausters_60-hz-rv02

Side Channel Blowers

A comprehensive range of Single and Double stage Lateral Channel Blowers

Side Channel Exhausters 60Hz

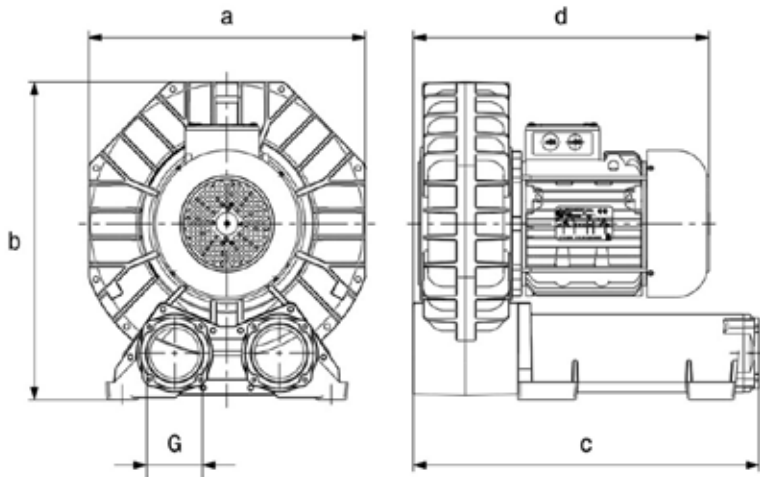
Performance Curves



The illustrated curves to the left are for selection purposes only. For full performance details, please contact us to speak to one of our sales engineers.



Overall Dimensions



Blower Model	a	b	c	d	G
X1.08	246	247	229	256	G 1 1/2"
X1.09	268	272	234	260	G 1 1/2"
X1.13	285	302	240	294	G 1 1/2"
X1.21	334	337	298	346	G2"
X1.32	382	384	333	432	G2"
X1.40	424	475	529	453	G3"
X1.50	454	490	529	453	G3"
X1.70	512	564	597	561	G4"
X1.85	523	565	604	558	G4"
D1.140	512	634	917	735	G5"
D1.170	523	634	928	832	G5"

Blower Model	a	b	c	d	G
X2.05	265	303	334	305	G 1 1/2"
X2.07	291	323	344	323	G 1 1/2"
X2.10	334	366	362	329	G 1 1/2"
X2.14	372	404	372	390	G 1 1/2"
X2.20	424	475	529	453	G3"
X2.25	454	490	529	453	G3"
X2.35	512	564	597	561	G4"
X2.42	523	565	604	558	G4"
D2.50	483	510	920	898	G3"
D2.70	560	636	950	907	G4"
D2.85	564	636	991	955	G4"

Single stage Lateral Channel Blowers Compressor - 50Hz D1.140 SM

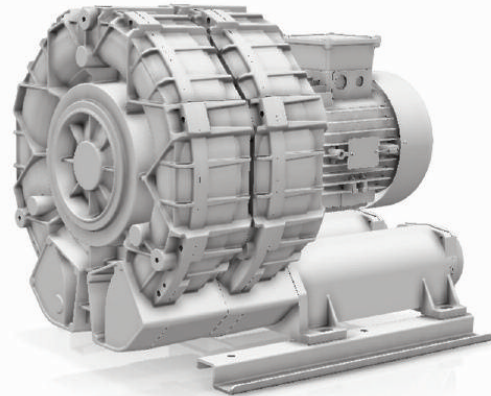
Air Control Industries
Global Air Movement Specialists since 1969



Main Features

CE Compliance with the Machinery Directive 2006/42/CE

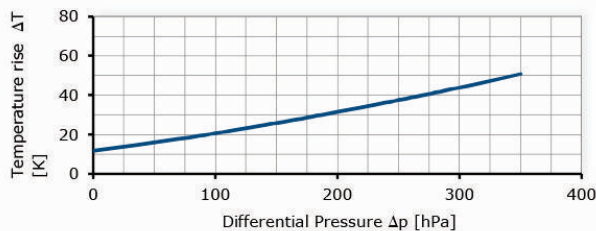
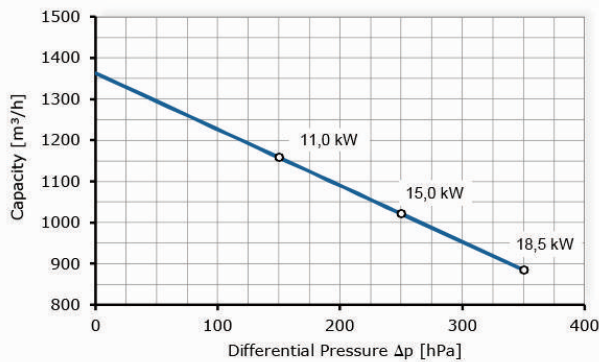
- Maximum flow: 1363 m³/h
- Maximum Pressure: 350 mbar
- Aluminium alloy parts
- Motors manufactured in conformity to EN 60034-1 / IEC 60034-1
- Suitable for horizontal and vertical installation
- Inlet / Outlet ports: G4"



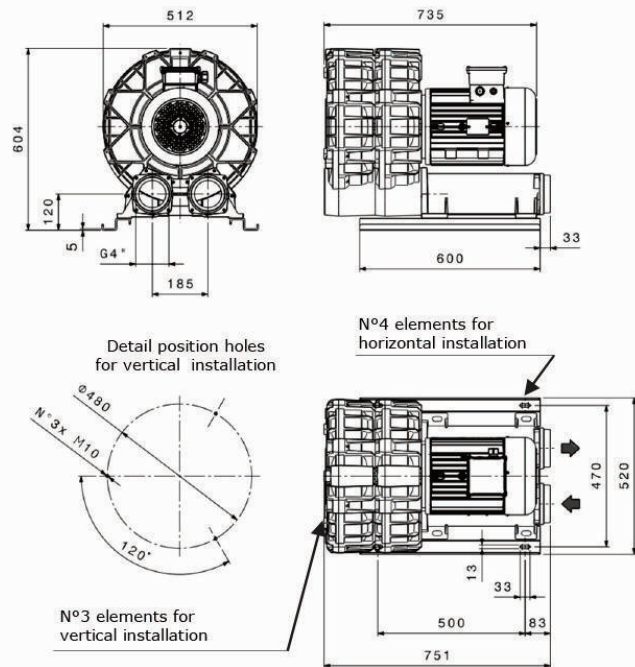
Technical Data for 50Hz - 2 poles - Three-Phase Motors (5)

Order Code	Maximum flow [m ³ /h]	Maximum Differential Pressure Δp [hPa]	Electric Motor data			Noise level L _p (3) [dB (A)]	Weight [kg]
			Installed Power [kW]	Voltage (2) Δ/Y [V]	Rated Amps Δ/Y [A]		
D1.140-11.0	1363	150	11,0	400/690	21,5 / 12,4	86,0	150
D1.140-15.0	1363	250	15,0	400/690	29,2 / 16,9	86,5	153
D1.140-18.5	1363	350	18,5	400/690	34,8 / 20,1	87,0	174

Performance Diagrams [50Hz] (1)



Overall Dimensions [mm] (4)



Notes:

- (1) Performance curves refer to operative conditions to air at 15°C temperature and 1013 hPa (abs) pressure measured at inlet port. Tolerance on capacity and temperature values: +/-10%. 1 hPa = 1 mbar
- (2) Allowed tolerance for supplied voltage: +/-10%.
- (3) Noise measured at 1 meter distance in accordance to EN ISO 3744, tolerance: +/-3 dB (A).
- (4) Tolerance about dimensions according to: ISO 2768-c.
- (5) For use with frequencies different from 50Hz, refer to variable frequency table.

For proper installation and safe use of the blower it must be equipped with relief valve and air filter.
For further details ask for the Compressor connection diagram.

Data subject to change without prior notice.

Tel: ++44(0)1297 529242
www.aircontrolindustries.com

Single stage Lateral Channel Blowers Compressor - 50Hz D1.170 SM

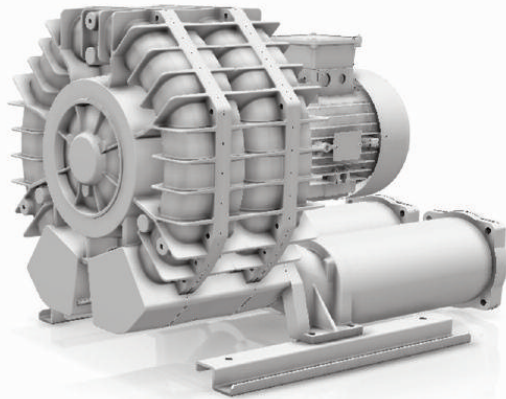
Air Control Industries
Global Air Movement Specialists since 1969



Main Features

☑ Compliance with the Machinery Directive 2006/42/CE

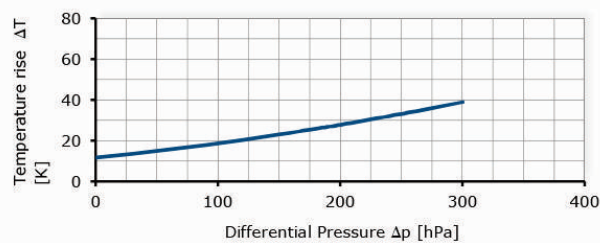
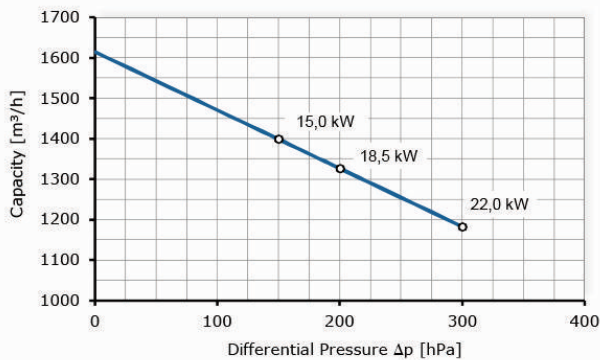
- Maximum flow: 1615 m³/h
- Maximum Pressure: 300 mbar
- Aluminium alloy parts
- Motors manufactured in conformity to EN 60034-1 / IEC 60034-1
- Suitable for horizontal and vertical installation
- Inlet / Outlet ports: G5"



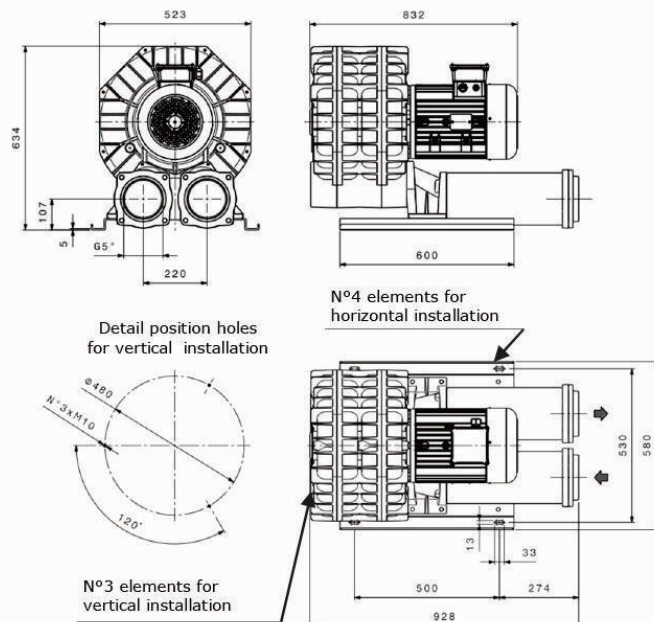
Technical Data for 50Hz - 2 poles - Three-Phase Motors [5]

Order Code	Maximum flow [m ³ /h]	Maximum Differential Pressure Δp [hPa]	Electric Motor data			Noise level Lp [3] [dB (A)]	Weight [kg]
			Installed Power [kW]	Voltage [2] Δ/Y [V]	Rated Amps Δ/Y [A]		
D1.170-15.0	1615	150	15,0	400/690	29,2 / 16,9	84,5	150
D1.170-18.5	1615	200	18,5	400/690	34,8 / 20,1	85,0	174
D1.170-22.0	1615	300	22,0	400/690	43,0 / 25,0	86,0	195

Performance Diagrams [50Hz] [1]



Overall Dimensions [mm] [4]



Notes:

- (1) Performance curves refer to operative conditions to air at 15°C temperature and 1013 hPa (abs) pressure measured at inlet port. Tolerance on capacity and temperature values: +/-10%. 1 hPa = 1 mbar
- (2) Allowed tolerance for supplied voltage: +/-10%.
- (3) Noise measured at 1 meter distance in accordance to EN ISO 3744, tolerance: +/-3 dB (A).
- (4) Tolerance about dimensions according to: ISO 2768-c.
- (5) For use with frequencies different from 50Hz, refer to variable frequency table.

For proper installation and safe use of the blower it must be equipped with relief valve and air filter.
For further details ask for the Compressor connection diagram.

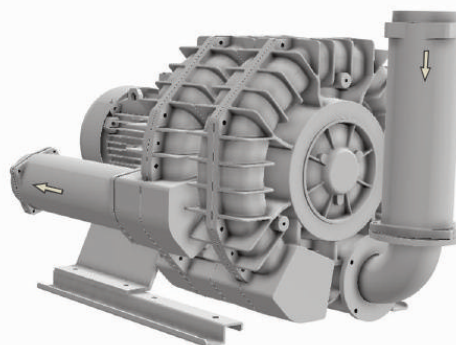
Double stage Lateral Channel Blowers Compressor - 50Hz D2.70 SM

Air Control Industries
Global Air Movement Specialists since 1969



Main Features

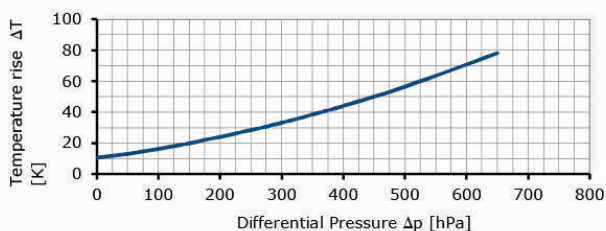
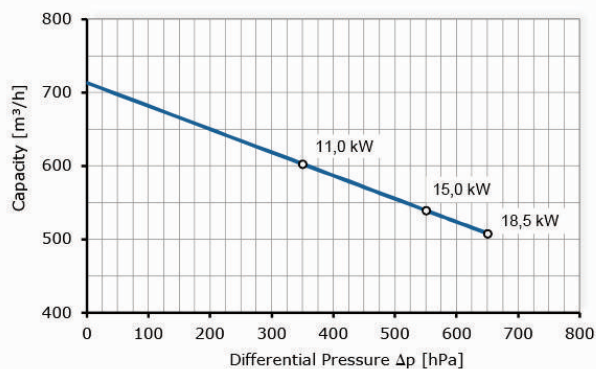
- CE Compliance with the Machinery Directive 2006/42/CE
- Maximum flow: 713 m³/h
- Maximum Pressure: 650 mbar
- Aluminium alloy parts
- Motors manufactured in conformity to EN 60034-1 / IEC 60034-1
- Suitable for horizontal installation
- Inlet / Outlet ports: G4"



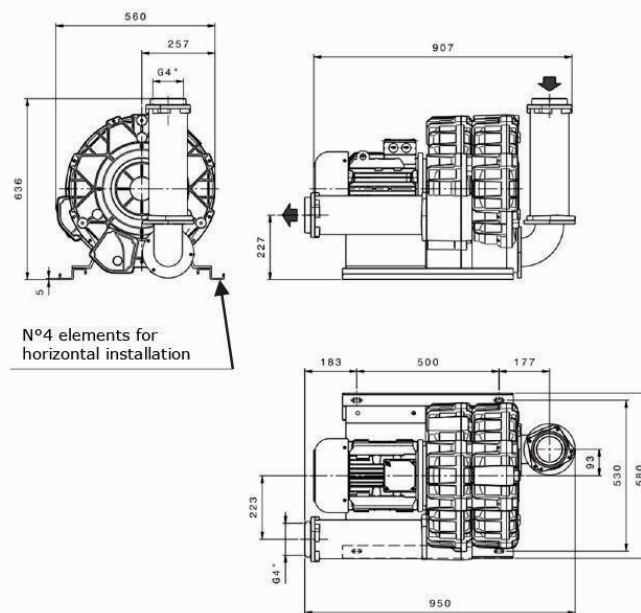
Technical Data for 50Hz - 2 poles - Three-Phase Motors (5)

Order Code	Maximum flow [m ³ /h]	Maximum Differential Pressure Δp [hPa]	Electric Motor data			Noise level Lp (3) [dB (A)]	Weight [kg]
			Installed Power [kW]	Voltage (2) Δ/Y [V]	Rated Amps Δ/Y [A]		
D2.70-11.0	713	350	11,0	400/690	21,5 / 12,4	86,0	153
D2.70-15.0	713	550	15,0	400/690	29,2 / 16,9	87,0	156
D2.70-18.5	713	650	18,5	400/690	34,8 / 20,1	88,0	177

Performance Diagrams [50Hz] (1)



Overall Dimensions [mm] (4)



Notes:

- (1) Performance curves refer to operative conditions to air at 15°C temperature and 1013 hPa (abs) pressure measured at inlet port. Tolerance on capacity and temperature values: +/-10%. 1 hPa = 1 mbar
- (2) Allowed tolerance for supplied voltage: +/-10%.
- (3) Noise measured at 1 meter distance in accordance to EN ISO 3744, tolerance: +/-3 dB (A).
- (4) Tolerance about dimensions according to: ISO 2768-c.
- (5) For use with frequencies different from 50Hz, refer to variable frequency table.

For proper installation and safe use of the blower it must be equipped with relief valve and air filter.
For further details ask for the Compressor connection diagram.

Data subject to change without prior notice.

Tel: ++44(0)1297 529242
www.aircontrolindustries.com

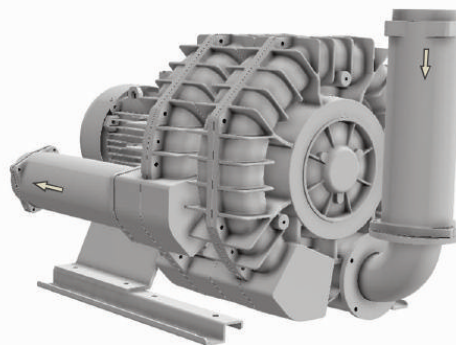
Double stage Lateral Channel Blowers Compressor - 50Hz D2.85 SM

Air Control Industries
Global Air Movement Specialists since 1969



Main Features

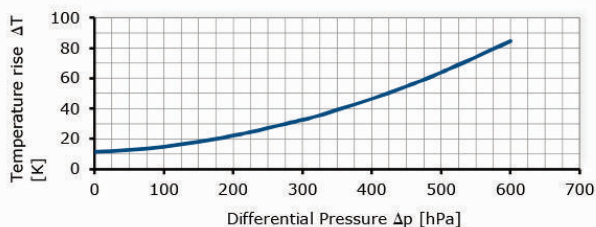
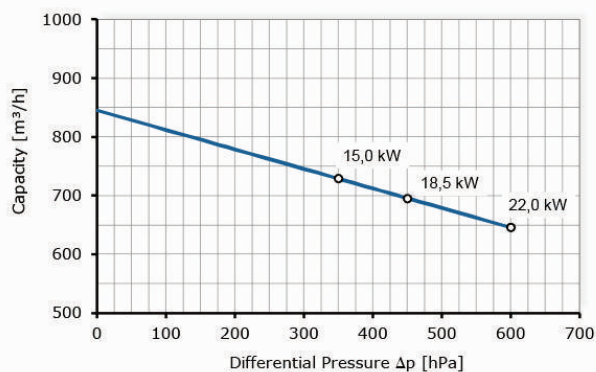
- CE Compliance with the Machinery Directive 2006/42/CE
- Maximum flow: 846 m³/h
- Maximum Pressure: 600 mbar
- Aluminium alloy parts
- Motors manufactured in conformity to EN 60034-1 / IEC 60034-1
- Suitable for horizontal installation
- Inlet / Outlet ports: G4"



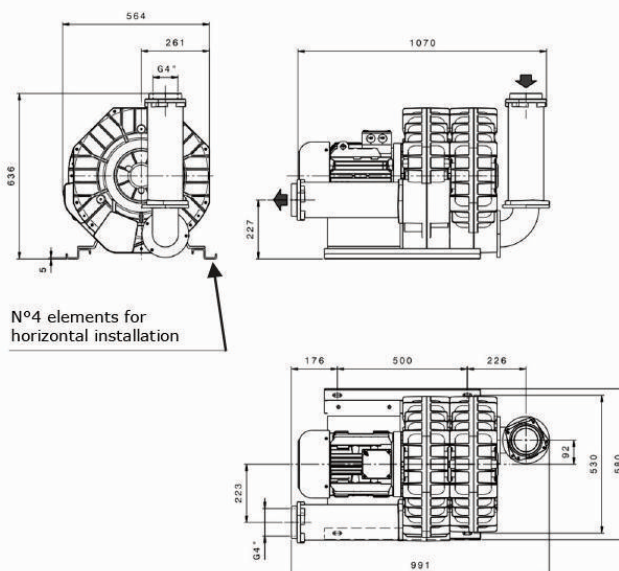
Technical Data for 50Hz - 2 poles - Three-Phase Motors (5)

Order Code	Maximum flow [m ³ /h]	Maximum Differential Pressure Δp [hPa]	Electric Motor data			Noise level Lp (3) [dB (A)]	Weight [kg]
			Installed Power [kW]	Voltage (2) Δ/Y [V]	Rated Amps Δ/Y [A]		
D2.85-15.0	846	350	15,0	400/690	29,2 / 16,9	85,5	149
D2.85-18.5	846	450	18,5	400/690	34,8 / 20,1	87,0	170
D2.85-22.0	846	600	22,0	400/690	29,2 / 16,9	89,0	185

Performance Diagrams [50Hz] (1)



Overall Dimensions [mm] (4)



Notes:

- (1) Performance curves refer to operative conditions to air at 15°C temperature and 1013 hPa (abs) pressure measured at inlet port. Tolerance on capacity and temperature values: +/-10%.
1 hPa = 1 mbar
- (2) Allowed tolerance for supplied voltage: +/-10%.
- (3) Noise measured at 1 meter distance in accordance to EN ISO 3744, tolerance: +/-3 dB (A).
- (4) Tolerance about dimensions according to: ISO 2768-c.
- (5) For use with frequencies different from 50Hz, refer to variable frequency table.

For proper installation and safe use of the blower it must be equipped with relief valve and air filter.
For further details ask for the Compressor connection diagram.

Data subject to change without prior notice.

Tel: ++44(0)1297 529242
www.aircontrolindustries.com

Single stage Lateral Channel Blowers Compressor - 50Hz X1.40 SM

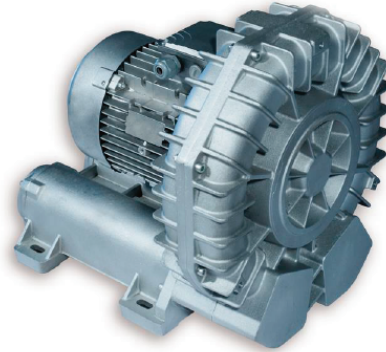
Air Control Industries
Global Air Movement Specialists since 1969

italBLOWERS



Main Features

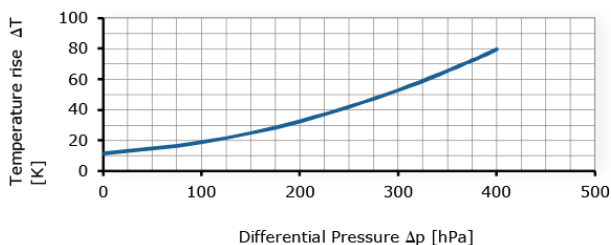
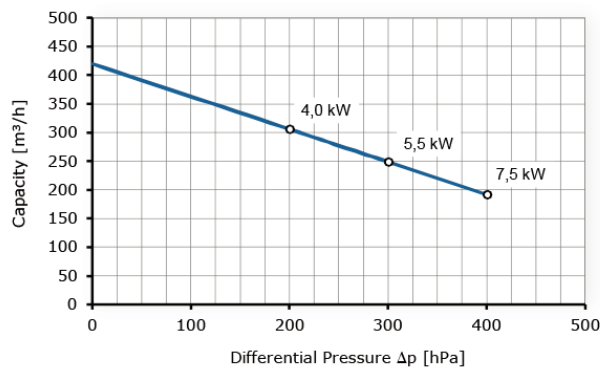
- CE Compliance with the Machinery Directive 2006/42/CE
- Maximum flow: 420 m³/h
- Maximum Pressure: 400 mbar
- Aluminium alloy parts
- Motors manufactured in conformity to EN 60034-1 / IEC 60034-1
- Suitable for horizontal and vertical installation
- Inlet / Outlet ports: G3"



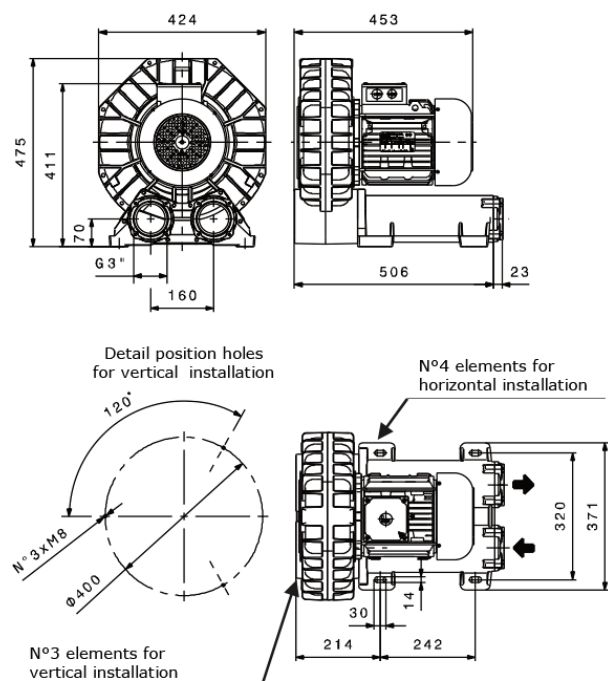
Technical Data for 50Hz - 2 poles - Three-Phase Motors [5]

Order Code	Maximum flow [m ³ /h]	Maximum Differential Pressure Δp [hPa]	Electric Motor data			Noise level Lp [3] [dB (A)]	Weight [kg]
			Installed Power [kW]	Voltage [2] Δ/Y [V]	Rated Amps Δ/Y [A]		
X1.40-4.0	420	200	4,0	230/400	13,0 / 7,5	75,0	55
X1.40-5.5	420	300	5,5	400/690	10,8 / 6,2	75,5	64
X1.40-7.5	420	400	7,5	400/690	14,9 / 8,6	76,0	67

Performance Diagrams [50Hz] [1]



Overall Dimensions [mm] [4]



Notes:

- (1) Performance curves refer to operative conditions to air at 15°C temperature and 1013 hPa (abs) pressure measured at inlet port. Tolerance on capacity and temperature values: +/-10%. 1 hPa = 1 mbar
- (2) Allowed tolerance for supplied voltage: +/-10%.
- (3) Noise measured at 1 meter distance in accordance to EN ISO 3744, tolerance: +/-3 dB (A).
- (4) Tolerance about dimensions according to: ISO 2768-c.
- (5) For use with frequencies different from 50Hz, refer to variable frequency table.

For proper installation and safe use of the blower it must be equipped with relief valve and air filter.
For further details ask for the Compressor connection diagram.

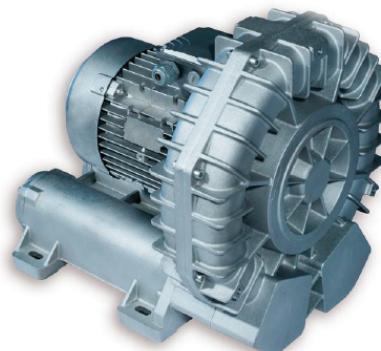
Data subject to change without prior notice.

Tel: ++44(0)1297 529242
www.aircontrolindustries.com

Single stage Lateral Channel Blowers Compressor - 50Hz X1.50 SM

Main Features

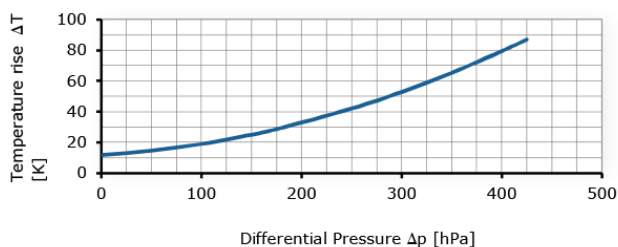
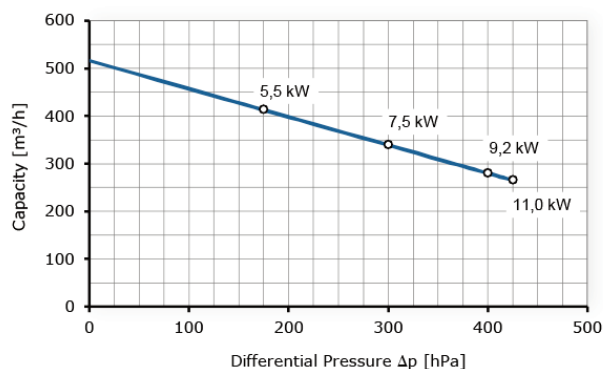
- CE Compliance with the Machinery Directive 2006/42/CE
- Maximum flow: 517 m³/h
- Maximum Pressure: 425 mbar
- Aluminium alloy parts
- Motors manufactured in conformity to EN 60034-1 / IEC 60034-1
- Suitable for horizontal and vertical installation
- Inlet / Outlet ports: G3"



Technical Data for 50Hz - 2 poles - Three-Phase Motors (5)

Order Code	Maximum flow [m ³ /h]	Maximum Differential Pressure Δp [hPa]	Electric Motor data			Noise level Lp (3) [dB (A)]	Weight [kg]
			Installed Power [kW]	Voltage (2) ΔY [V]	Rated Amps ΔY [A]		
X1.50-5.5	517	175	5,5	400/690	10,8 / 6,2	76,0	57
X1.50-7.5	517	300	7,5	400/690	14,9 / 8,6	77,0	66
X1.50-9.2	517	400	9,2	400/690	18,0 / 10,4	78,0	72
X1.50-11.0	517	425	11,0	400/690	21,5 / 12,4	79,0	74

Performance Diagrams [50Hz] (1)

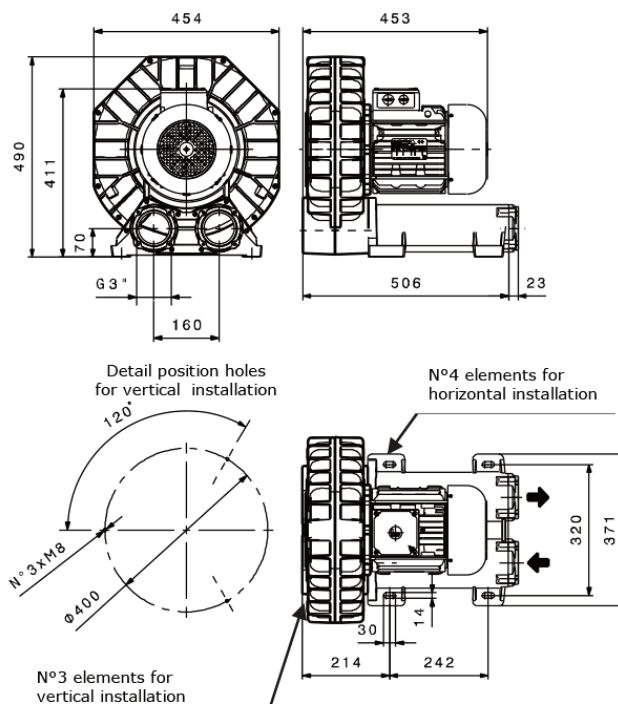


Notes:

- (1) Performance curves refer to operative conditions to air at 15°C temperature and 1013 hPa (abs) pressure measured at inlet port. Tolerance on capacity and temperature values: +/-10%. 1 hPa = 1 mbar
- (2) Allowed tolerance for supplied voltage: +/-10%.
- (3) Noise measured at 1 meter distance in accordance to EN ISO 3744, tolerance: +/-3 dB (A).
- (4) Tolerance about dimensions according to: ISO 2768-c.
- (5) For use with frequencies different from 50Hz, refer to variable frequency table.

For proper installation and safe use of the blower it must be equipped with relief valve and air filter.
For further details ask for the Compressor connection diagram.

Overall Dimensions [mm] (4)



Single stage Lateral Channel Blowers Compressor - 50Hz X1.70 SM

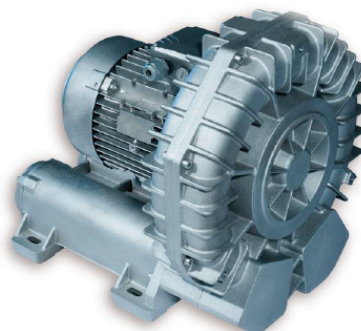
Air Control Industries
Global Air Movement Specialists since 1969

italBLOWERS



Main Features

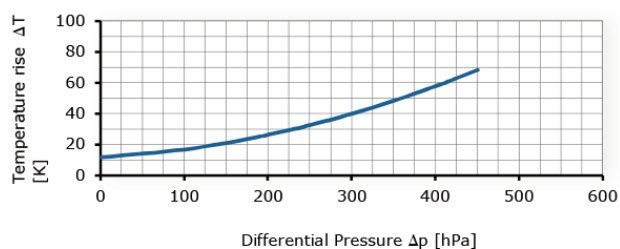
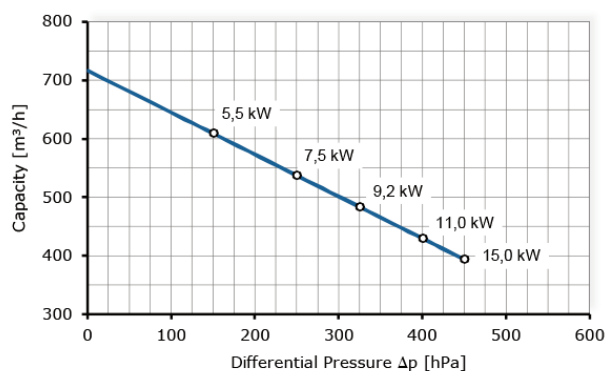
- CE Compliance with the Machinery Directive 2006/42/CE
- Maximum flow: 717 m³/h
- Maximum Pressure: 450 mbar
- Aluminium alloy parts
- Motors manufactured in conformity to EN 60034-1 / IEC 60034-1
- Suitable for horizontal and vertical installation
- Inlet / Outlet ports: G4"



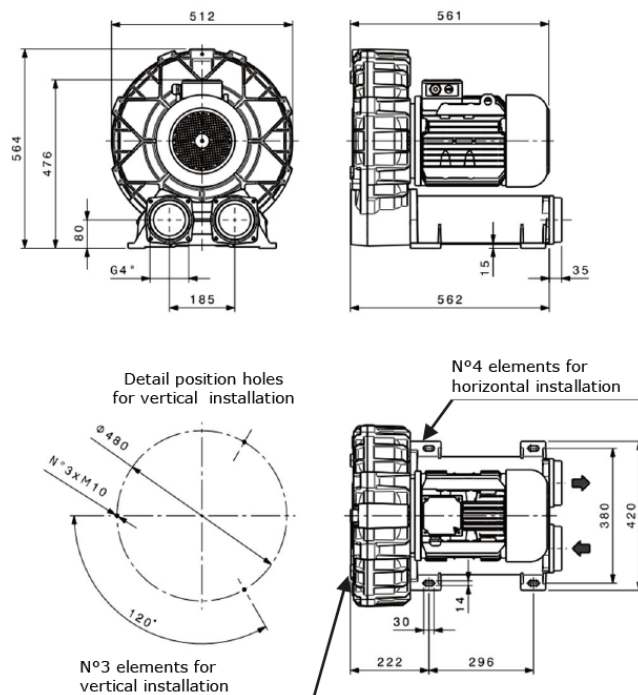
Technical Data for 50Hz - 2 poles - Three-Phase Motors (5)

Order Code	Maximum flow [m ³ /h]	Maximum Differential Pressure Δp [hPa]	Electric Motor data			Noise level Lp (3) [dB (A)]	Weight [kg]
			Installed Power [kW]	Voltage (2) ΔY [V]	Rated Amps ΔY [A]		
X1.70-5.5	717	150	5,5	400/690	10,8 / 6,2	79,5	71
X1.70-7.5	717	250	7,5	400/690	14,9 / 8,6	80,0	76
X1.70-9.2	717	325	9,2	400/690	18,0 / 10,4	80,5	97
X1.70-11.0	717	400	11,0	400/690	21,5 / 12,4	81,0	99
X1.70-15.0	717	450	15,0	400/690	29,2 / 16,9	81,5	102

Performance Diagrams [50Hz] (1)



Overall Dimensions [mm] (4)



Notes:

- (1) Performance curves refer to operative conditions to air at 15°C temperature and 1013 hPa (abs) pressure measured at inlet port. Tolerance on capacity and temperature values: +/-10%. 1 hPa = 1 mbar
- (2) Allowed tolerance for supplied voltage: +/-10%.
- (3) Noise measured at 1 meter distance in accordance to EN ISO 3744, tolerance: +/-3 dB (A).
- (4) Tolerance about dimensions according to: ISO 2768-c.
- (5) For use with frequencies different from 50Hz, refer to variable frequency table.

For proper installation and safe use of the blower it must be equipped with relief valve and air filter.
For further details ask for the Compressor connection diagram.

Data subject to change without prior notice.

Tel: ++44(0)1297 529242
www.aircontrolindustries.com

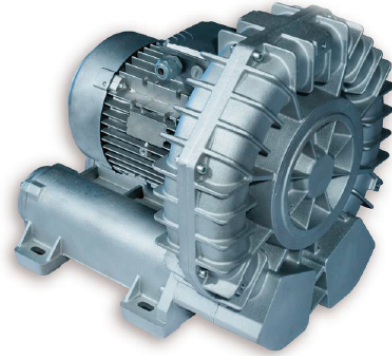
Single stage Lateral Channel Blowers Compressor - 50Hz X1.85 SM

Air Control Industries
Global Air Movement Specialists since 1969



Main Features

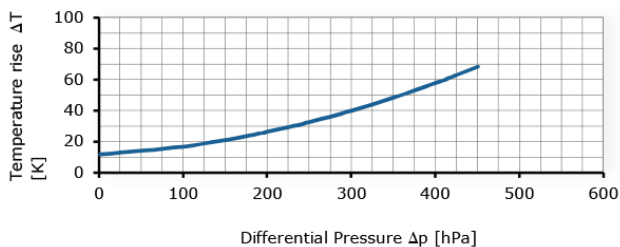
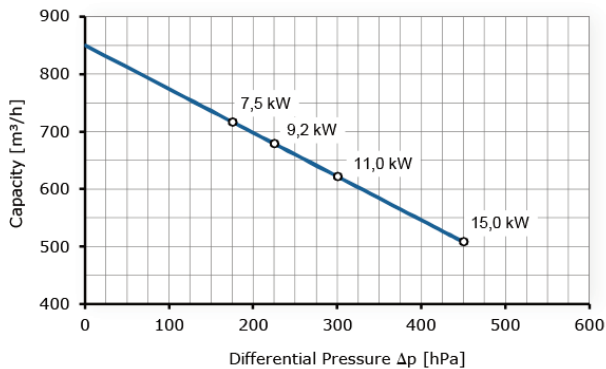
- CE Compliance with the Machinery Directive 2006/42/CE
- Maximum flow: 850 m³/h
- Maximum Pressure: 450 mbar
- Aluminium alloy parts
- Motors manufactured in conformity to EN 60034-1 / IEC 60034-1
- Suitable for horizontal and vertical installation
- Inlet / Outlet ports: G4"



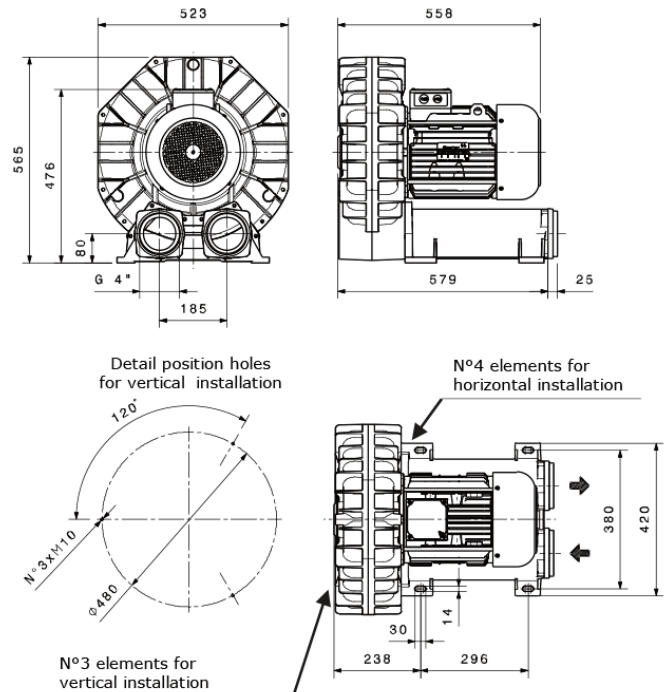
Technical Data for 50Hz - 2 poles - Three-Phase Motors (5)

Order Code	Maximum flow [m ³ /h]	Maximum Differential Pressure Δp [hPa]	Electric Motor data			Noise level Lp (3) [dB (A)]	Weight [kg]
			Installed Power [kW]	Voltage (2) ΔY [V]	Rated Amps ΔY [A]		
X1.85-7.5	850	175	7,5	400/690	14,9 / 8,6	80,5	94
X1.85-9.2	850	225	9,2	400/690	18,0 / 10,4	81,0	99
X1.85-11.0	850	300	11,0	400/690	21,5 / 12,4	81,5	101
X1.85-15.0	850	450	15,0	400/690	29,2 / 16,9	82,0	104

Performance Diagrams [50Hz] (1)



Overall Dimensions [mm] (4)



Notes:

- (1) Performance curves refer to operative conditions to air at 15°C temperature and 1013 hPa (abs) pressure measured at inlet port. Tolerance on capacity and temperature values: +/-10%. 1 hPa = 1 mbar
- (2) Allowed tolerance for supplied voltage: +/-10%.
- (3) Noise measured at 1 meter distance in accordance to EN ISO 3744, tolerance: +/-3 dB (A).
- (4) Tolerance about dimensions according to: ISO 2768-c.
- (5) For use with frequencies different from 50Hz, refer to variable frequency table.

For proper installation and safe use of the blower it must be equipped with relief valve and air filter. For further details ask for the Compressor connection diagram.

Data subject to change without prior notice.

Tel: ++44(0)1297 529242
www.aircontrolindustries.com

Double stage Lateral Channel Blowers Compressor - 50Hz X2.05 SM

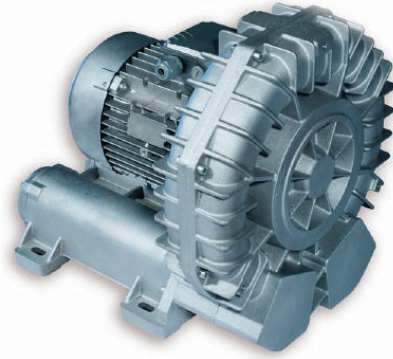
Air Control Industries
Global Air Movement Specialists since 1969



italBLOWERS

Main Features

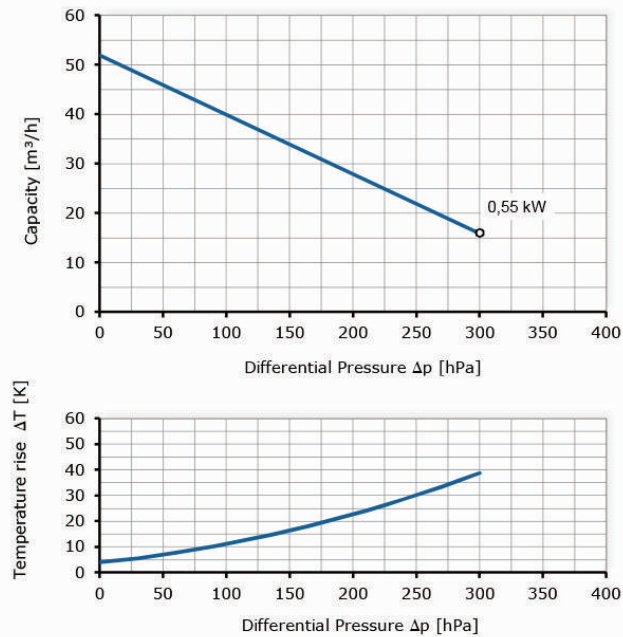
- CE Compliance with the Machinery Directive 2006/42/CE
- Maximum flow: 52 m³/h
- Maximum Pressure: 300 mbar
- Aluminium alloy parts
- Motors manufactured in conformity to EN 60034-1 / IEC 60034-1
- Suitable for horizontal and vertical installation
- Inlet / Outlet ports: G 1 1/4"



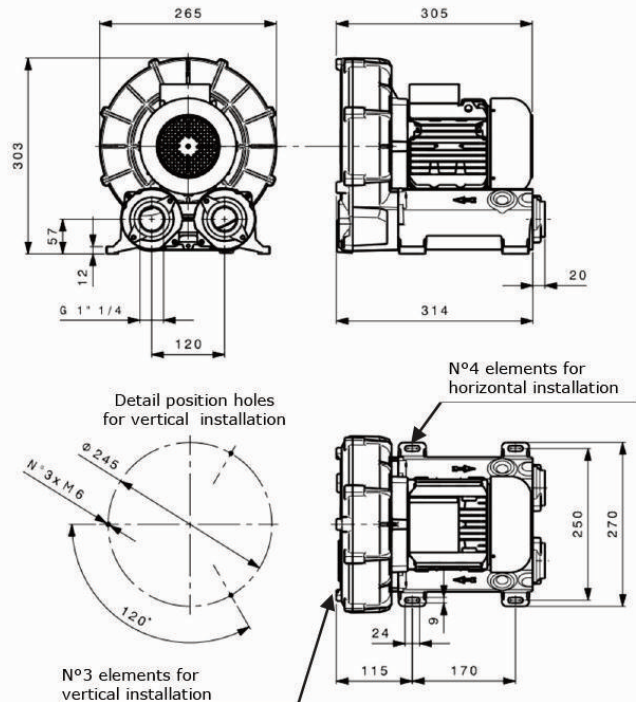
Technical Data for 50Hz - 2 poles - Three-Phase Motors (5)

Order Code	Maximum flow [m ³ /h]	Maximum Differential Pressure Δp [hPa]	Electric Motor data			Noise level Lp (3) [dB (A)]	Weight [kg]
			Installed Power [kW]	Voltage (2) Δ/Y [V]	Rated Amps Δ/Y [A]		
X2.05-0.55	52	300	0,55	230/400	2,5 / 1,5	60,0	13

Performance Diagrams [50Hz] (1)



Overall Dimensions [mm] (4)



Notes:

- (1) Performance curves refer to operative conditions to air at 15°C temperature and 1013 hPa (abs) pressure measured at inlet port. Tolerance on capacity and temperature values: +/-10%.
1 hPa = 1 mbar
- (2) Allowed tolerance for supplied voltage: +/-10%.
- (3) Noise measured at 1 meter distance in accordance to EN ISO 3744, tolerance: +/-3 dB (A).
- (4) Tolerance about dimensions according to: ISO 2768-c.
- (5) For use with frequencies different from 50Hz, refer to variable frequency table.

For proper installation and safe use of the blower it must be equipped with relief valve and air filter.
For further details ask for the Compressor connection diagram.

Data subject to change without prior notice.

Tel: ++44(0)1297 529242
www.aircontrolindustries.com

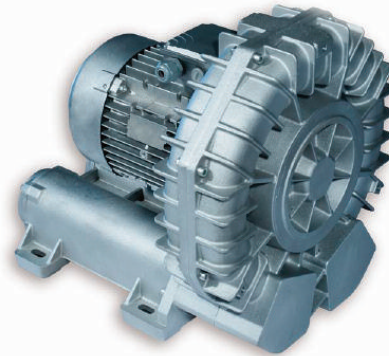
Double stage Lateral Channel Blowers Compressor - 50Hz X2.07 SM

Air Control Industries
Global Air Movement Specialists since 1969



Main Features

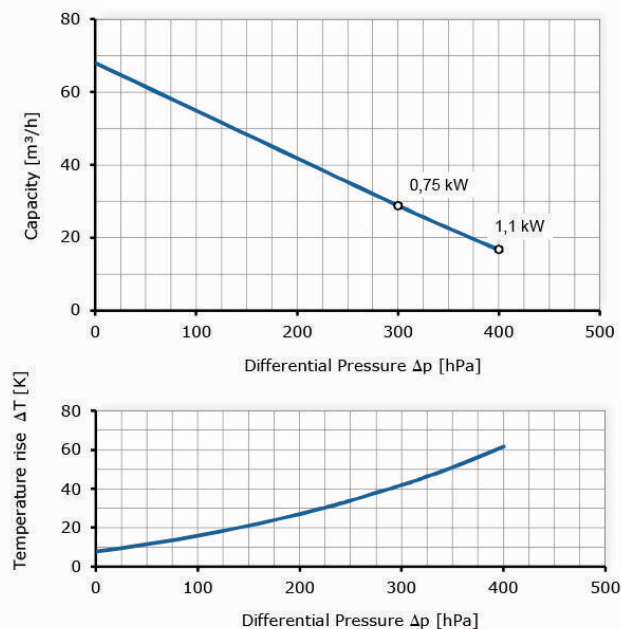
- CE Compliance with the Machinery Directive 2006/42/CE
- Maximum flow: 68 m³/h
- Maximum Pressure: 400 mbar
- Aluminium alloy parts
- Motors manufactured in conformity to EN 60034-1 / IEC 60034-1
- Suitable for horizontal and vertical installation
- Inlet / Outlet ports: G 1 1/4"



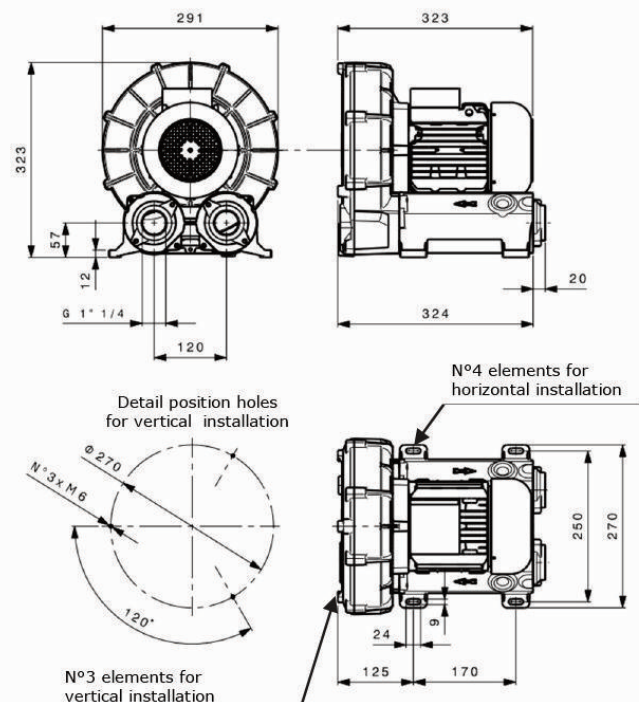
Technical Data for 50Hz - 2 poles - Three-Phase Motors ⁽⁵⁾

Order Code	Maximum flow [m ³ /h]	Maximum Differential Pressure Δp [hPa]	Electric Motor data			Noise level Lp ⁽³⁾ [dB (A)]	Weight [kg]
			Installed Power [kW]	Voltage ⁽²⁾ ΔY [V]	Rated Amps ΔY [A]		
X2.07-0.75	68	300	0,75	230/400	3,4 / 1,95	64,5	18
X2.07-1.10	68	400	1,1	230/400	4,5 / 2,6	65,0	19

Performance Diagrams [50Hz] ⁽¹⁾



Overall Dimensions [mm] ⁽⁴⁾



Notes:

- (1) Performance curves refer to operative conditions to air at 15°C temperature and 1013 hPa (abs) pressure measured at inlet port. Tolerance on capacity and temperature values: +/-10%. 1 hPa = 1 mbar
- (2) Allowed tolerance for supplied voltage: +/-10%.
- (3) Noise measured at 1 meter distance in accordance to EN ISO 3744, tolerance: +/-3 dB (A).
- (4) Tolerance about dimensions according to: ISO 2768-c.
- (5) For use with frequencies different from 50Hz, refer to variable frequency table.

For proper installation and safe use of the blower it must be equipped with relief valve and air filter.
For further details ask for the Compressor connection diagram.

Data subject to change without prior notice.

Tel: ++44(0)1297 529242
www.aircontrolindustries.com

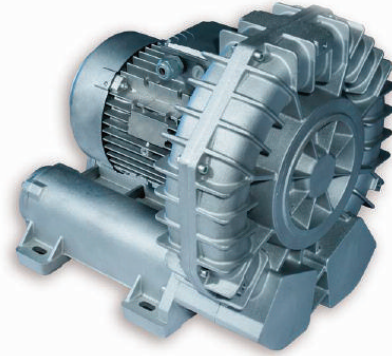
Double stage Lateral Channel Blowers Compressor - 50Hz X2.10 SM

Air Control Industries
Global Air Movement Specialists since 1969



Main Features

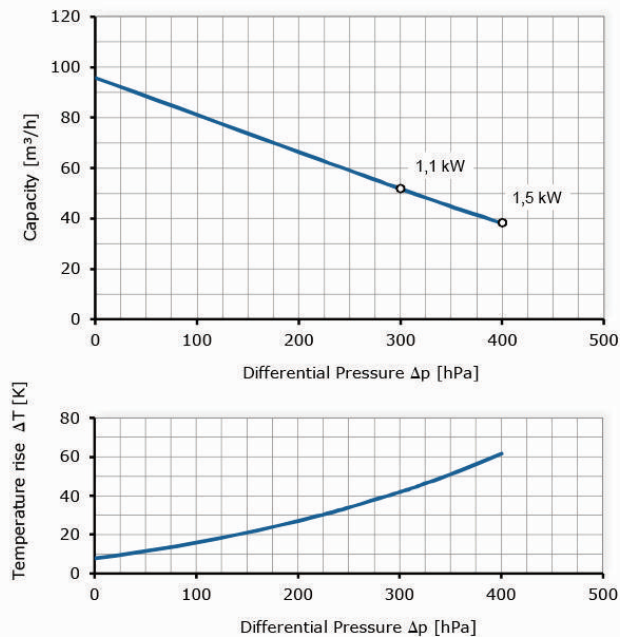
- CE Compliance with the Machinery Directive 2006/42/CE
- Maximum flow: 96 m³/h
- Maximum Pressure: 400 mbar
- Aluminium alloy parts
- Motors manufactured in conformity to EN 60034-1 / IEC 60034-1
- Suitable for horizontal and vertical installation
- Inlet / Outlet ports: G 1 1/4"



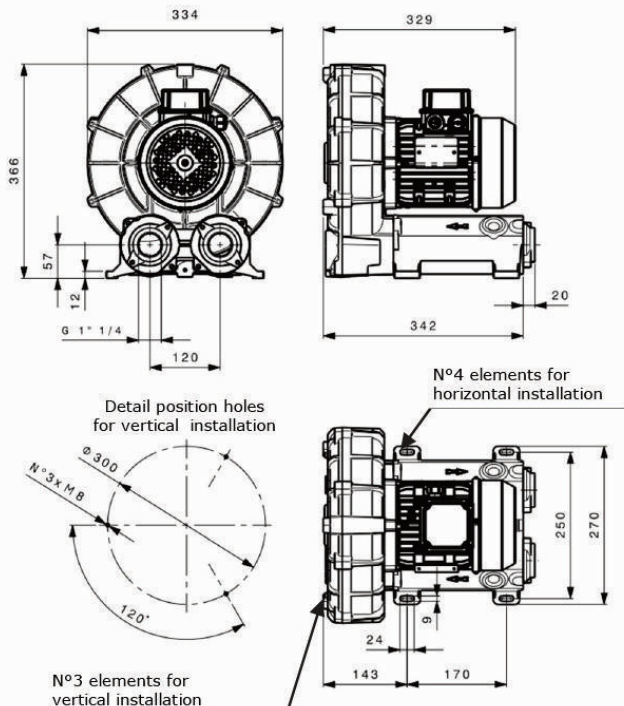
Technical Data for 50Hz - 2 poles - Three-Phase Motors (5)

Order Code	Maximum flow [m ³ /h]	Maximum Differential Pressure Δp [hPa]	Electric Motor data			Noise level Lp (3) [dB (A)]	Weight [kg]
			Installed Power [kW]	Voltage (2) ΔY [V]	Rated Amps ΔY [A]		
X2.10-1.10	96	300	1,1	230/400	4,5 / 2,6	65,5	21
X2.10-1.50	96	400	1,5	230/400	6,3 / 3,6	66,0	23

Performance Diagrams [50Hz] (1)



Overall Dimensions [mm] (4)



Notes:

- (1) Performance curves refer to operative conditions to air at 15°C temperature and 1013 hPa (abs) pressure measured at inlet port. Tolerance on capacity and temperature values: +/-10%. 1 hPa = 1 mbar
- (2) Allowed tolerance for supplied voltage: +/-10%.
- (3) Noise measured at 1 meter distance in accordance to EN ISO 3744, tolerance: +/-3 dB (A).
- (4) Tolerance about dimensions according to: ISO 2768-c.
- (5) For use with frequencies different from 50Hz, refer to variable frequency table.

For proper installation and safe use of the blower it must be equipped with relief valve and air filter.
For further details ask for the Compressor connection diagram.

Data subject to change without prior notice.

Tel: ++44(0)1297 529242
www.aircontrolindustries.com

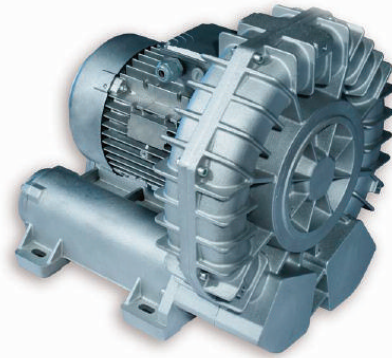
Double stage Lateral Channel Blowers Compressor - 50Hz X2.14 SM

Air Control Industries
Global Air Movement Specialists since 1969



Main Features

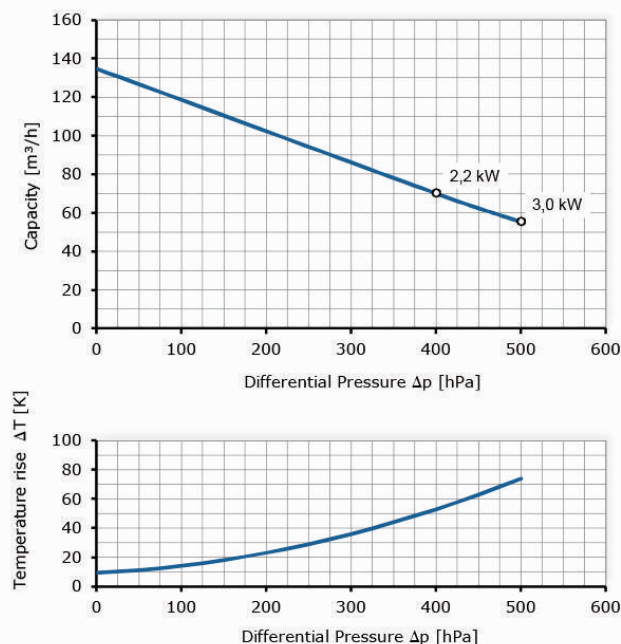
- CE Compliance with the Machinery Directive 2006/42/CE
- Maximum flow: 135 m³/h
- Maximum Pressure: 500 mbar
- Aluminium alloy parts
- Motors manufactured in conformity to EN 60034-1 / IEC 60034-1
- Suitable for horizontal and vertical installation
- Inlet / Outlet ports: G 1 1/2"



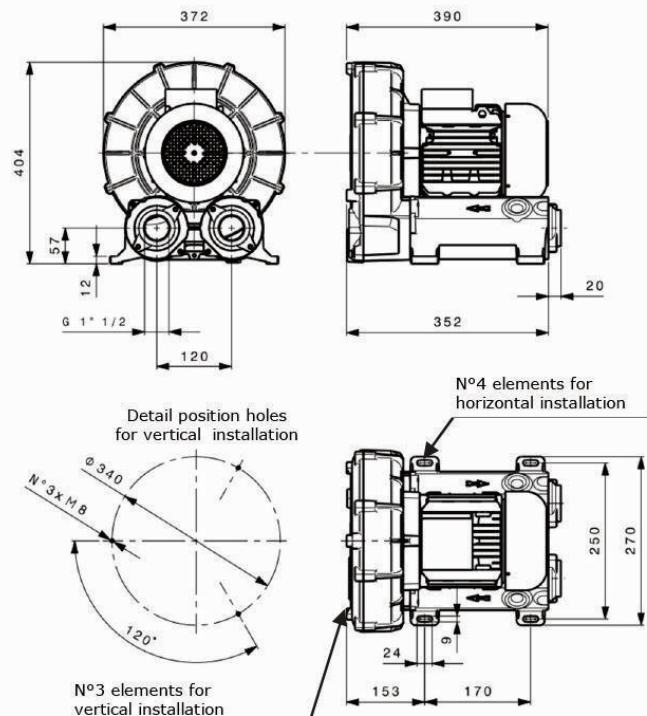
Technical Data for 50Hz - 2 poles - Three-Phase Motors (5)

Order Code	Maximum flow [m ³ /h]	Maximum Differential Pressure Δp [hPa]	Electric Motor data			Noise level Lp (3) [dB (A)]	Weight [kg]
			Installed Power [kW]	Voltage (2) ΔY [V]	Rated Amps ΔY [A]		
X2.14-2.20	135	400	2,2	230/400	8,5 / 4,9	66,5	30
X2.14-3.00	135	500	3,0	230/400	11,0 / 6,4	67,0	33

Performance Diagrams [50Hz] (1)



Overall Dimensions [mm] (4)



Notes:

- (1) Performance curves refer to operative conditions to air at 15°C temperature and 1013 hPa (abs) pressure measured at inlet port. Tolerance on capacity and temperature values: +/-10%.
1 hPa = 1 mbar
- (2) Allowed tolerance for supplied voltage: +/-10%.
- (3) Noise measured at 1 meter distance in accordance to EN ISO 3744, tolerance: +/-3 dB (A).
- (4) Tolerance about dimensions according to: ISO 2768-c.
- (5) For use with frequencies different from 50Hz, refer to variable frequency table.

For proper installation and safe use of the blower it must be equipped with relief valve and air filter.
For further details ask for the Compressor connection diagram.

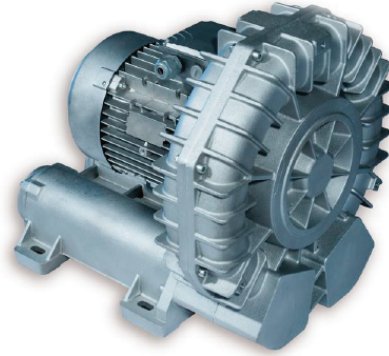
Data subject to change without prior notice.

Tel: ++44(0)1297 529242
www.aircontrolindustries.com

Double stage Lateral Channel Blowers Compressor - 50Hz X2.20 SM

Main Features

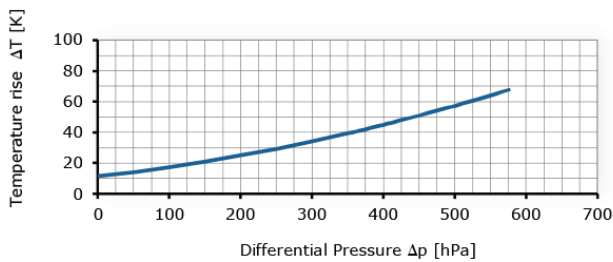
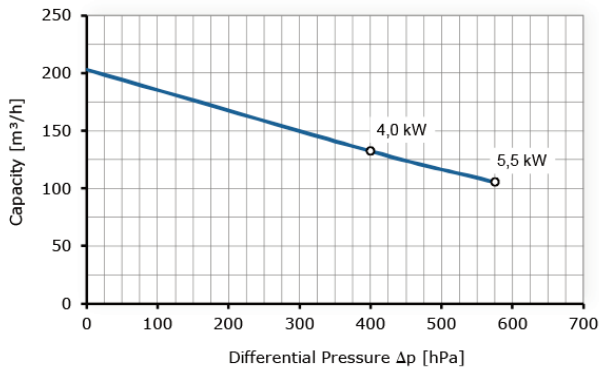
- CE Compliance with the Machinery Directive 2006/42/CE
- Maximum flow: 203 m³/h
- Maximum Pressure: 575 mbar
- Aluminium alloy parts
- Motors manufactured in conformity to EN 60034-1 / IEC 60034-1
- Suitable for horizontal and vertical installation
- Inlet / Outlet ports: G3"



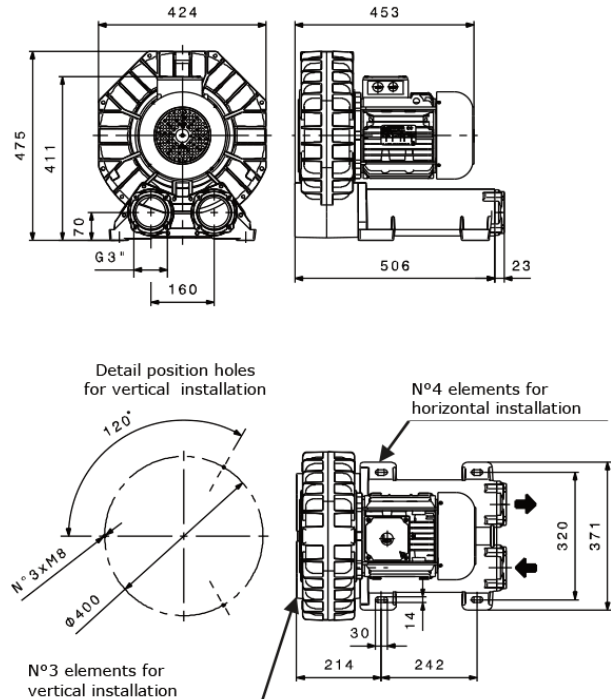
Technical Data for 50Hz - 2 poles - Three-Phase Motors ⁽⁵⁾

Order Code	Maximum flow [m ³ /h]	Maximum Differential Pressure Δp [hPa]	Electric Motor data			Noise level Lp ⁽³⁾ [dB (A)]	Weight [kg]
			Installed Power [kW]	Voltage ⁽²⁾ Δ/Y [V]	Rated Amps Δ/Y [A]		
X2.20-4.0	203	400	4,0	230/400	13,0 / 7,5	73,5	56
X2.20-5.5	203	575	5,5	400/690	10,8 / 6,2	74,0	65

Performance Diagrams [50Hz] ⁽¹⁾



Overall Dimensions [mm] ⁽⁴⁾



Notes:

- (1) Performance curves refer to operative conditions to air at 15°C temperature and 1013 hPa (abs) pressure measured at inlet port. Tolerance on capacity and temperature values: +/-10%. 1 hPa = 1 mbar
- (2) Allowed tolerance for supplied voltage: +/-10%.
- (3) Noise measured at 1 meter distance in accordance to EN ISO 3744, tolerance: +/-3 dB (A).
- (4) Tolerance about dimensions according to: ISO 2768-c.
- (5) For use with frequencies different from 50Hz, refer to variable frequency table.

For proper installation and safe use of the blower it must be equipped with relief valve and air filter.
For further details ask for the Compressor connection diagram.

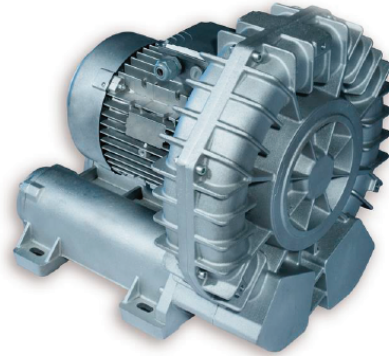
Double stage Lateral Channel Blowers Compressor - 50Hz X2.25 SM

Air Control Industries
Global Air Movement Specialists since 1969



Main Features

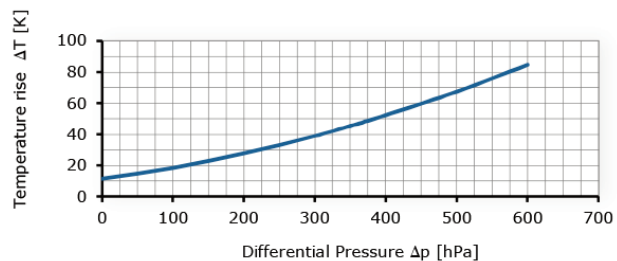
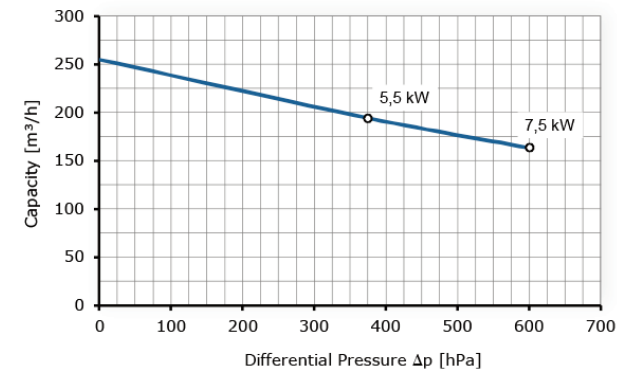
- CE Compliance with the Machinery Directive 2006/42/CE
- Maximum flow: 255 m³/h
- Maximum Pressure: 600 mbar
- Aluminium alloy parts
- Motors manufactured in conformity to EN 60034-1 / IEC 60034-1
- Suitable for horizontal and vertical installation
- Inlet / Outlet ports: G3"



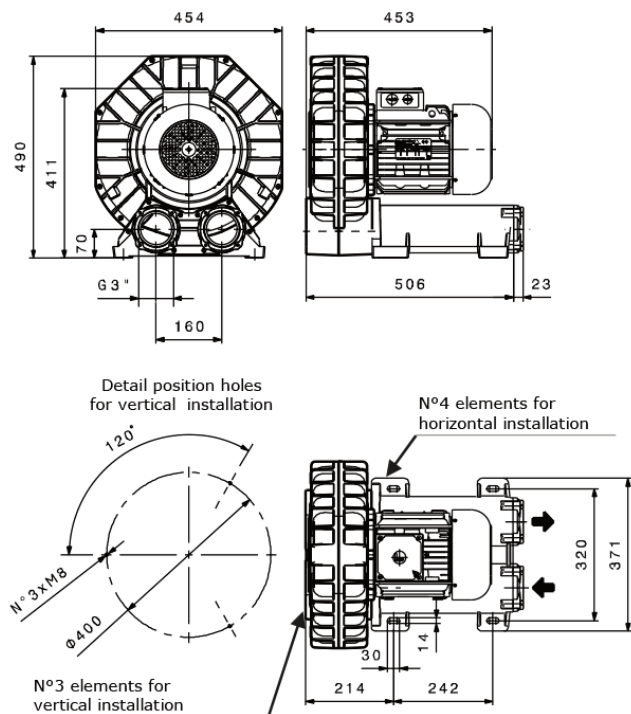
Technical Data for 50Hz - 2 poles - Three-Phase Motors (5)

Order Code	Maximum flow [m ³ /h]	Maximum Differential Pressure Δp [hPa]	Electric Motor data			Noise level Lp (3) [dB (A)]	Weight [kg]
			Installed Power [kW]	Voltage (2) Δ/Y [V]	Rated Amps Δ/Y [A]		
X2.25-5.5	255	375	5,5	400/690	10,8 / 6,2	76,0	58
X2.25-7.5	255	600	7,5	400/690	14,9 / 8,6	77,0	67

Performance Diagrams [50Hz] (1)



Overall Dimensions [mm] (4)



Notes:

- (1) Performance curves refer to operative conditions to air at 15°C temperature and 1013 hPa (abs) pressure measured at inlet port. Tolerance on capacity and temperature values: +/-10%. 1 hPa = 1 mbar
- (2) Allowed tolerance for supplied voltage: +/-10%.
- (3) Noise measured at 1 meter distance in accordance to EN ISO 3744, tolerance: +/-3 dB (A).
- (4) Tolerance about dimensions according to: ISO 2768-c.
- (5) For use with frequencies different from 50Hz, refer to variable frequency table.

For proper installation and safe use of the blower it must be equipped with relief valve and air filter. For further details ask for the Compressor connection diagram.

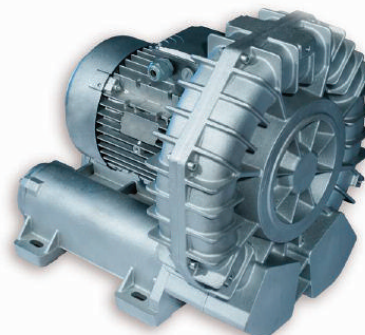
Double stage Lateral Channel Blowers Compressor - 50Hz X2.35 SM

Air Control Industries
Global Air Movement Specialists since 1969



Main Features

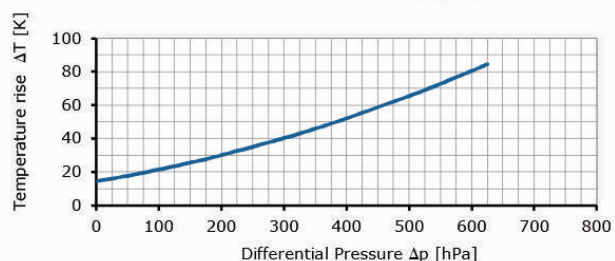
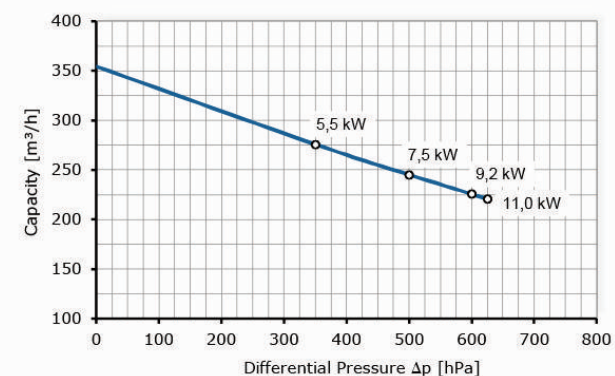
- Compliance with the Machinery Directive 2006/42/CE
- Maximum flow: 354 m³/h
- Maximum Pressure: 625 mbar
- Aluminium alloy parts
- Motors manufactured in conformity to EN 60034-1 / IEC 60034-1
- Suitable for horizontal and vertical installation
- Inlet / Outlet ports: G4"



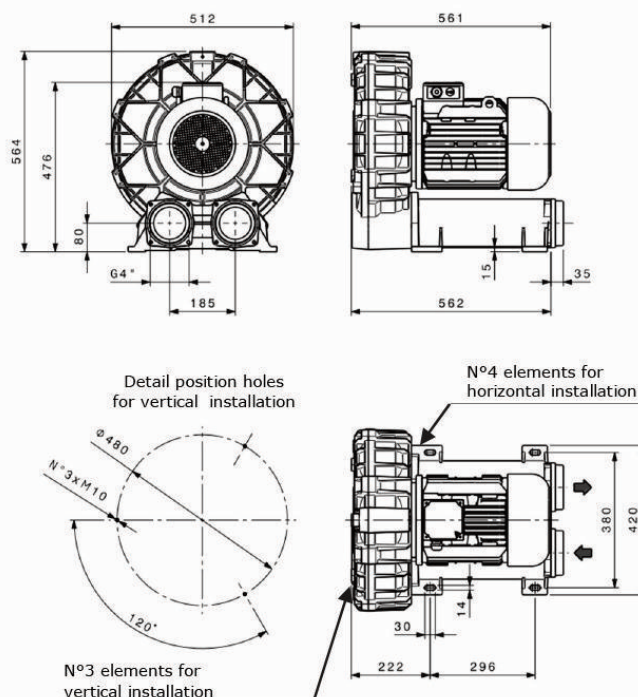
Technical Data for 50Hz - 2 poles - Three-Phase Motors [5]

Order Code	Maximum flow [m ³ /h]	Maximum Differential Pressure Δp [hPa]	Electric Motor data			Noise level Lp [3] [dB (A)]	Weight [kg]
			Installed Power [kW]	Voltage [2] Δ/Y [V]	Rated Amps Δ/Y [A]		
X2.35-5.5	354	350	5,5	400/690	10,8 / 6,2	80,5	72
X2.35-7.5	354	500	7,5	400/690	14,9 / 8,6	81,0	77
X2.35-9.2	354	600	9,2	400/690	18,0 / 10,4	81,5	98
X2.35-11.0	354	625	11,0	400/690	21,5 / 12,4	82,0	100

Performance Diagrams [50Hz] [1]



Overall Dimensions [mm] [4]



Notes:

- Performance curves refer to operative conditions to air at 15°C temperature and 1013 hPa (abs) pressure measured at inlet port. Tolerance on capacity and temperature values: +/-10%. 1 hPa = 1 mbar
- Allowed tolerance for supplied voltage: +/-10%.
- Noise measured at 1 meter distance in accordance to EN ISO 3744, tolerance: +/-3 dB (A).
- Tolerance about dimensions according to: ISO 2768-c.
- For use with frequencies different from 50Hz, refer to variable frequency table.

For proper installation and safe use of the blower it must be equipped with relief valve and air filter.
For further details ask for the Compressor connection diagram.

Data subject to change without prior notice.

Tel: ++44(0)1297 529242
www.aircontrolindustries.com

Double stage Lateral Channel Blowers Compressor - 50Hz X2.42 SM

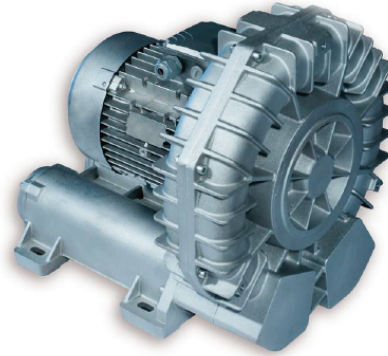
Air Control Industries
Global Air Movement Specialists since 1969



italBLOWERS

Main Features

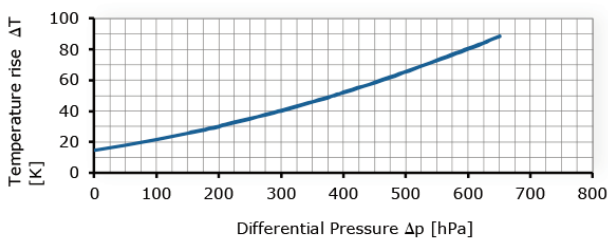
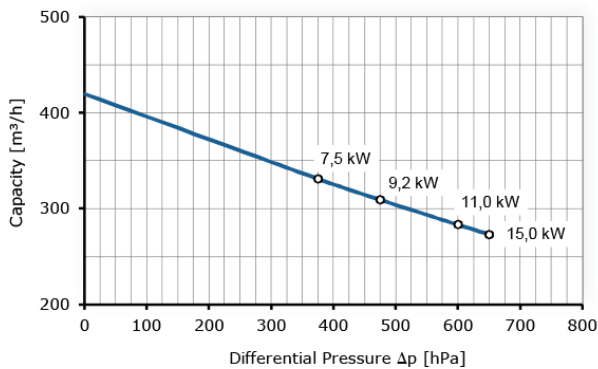
- Compliance with the Machinery Directive 2006/42/CE
- Maximum flow: 420 m³/h
- Maximum Pressure: 650 mbar
- Aluminium alloy parts
- Motors manufactured in conformity to EN 60034-1 / IEC 60034-1
- Suitable for horizontal and vertical installation
- Inlet / Outlet ports: G4"



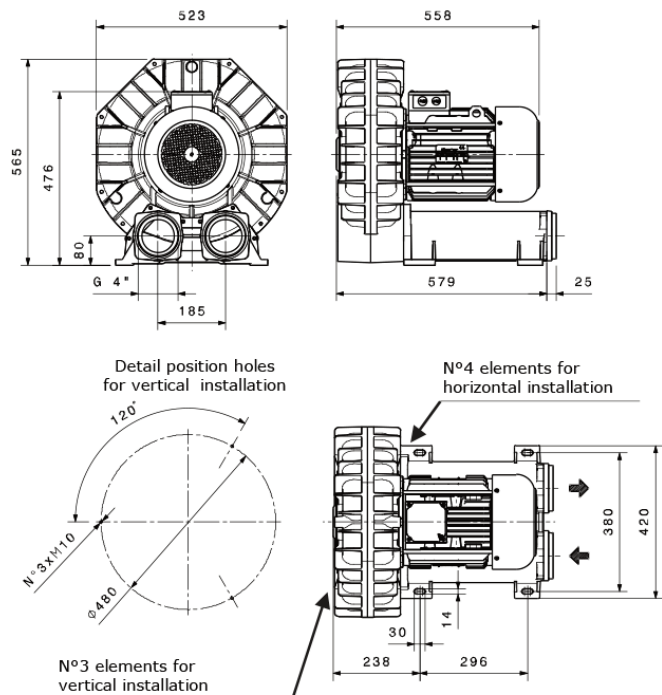
Technical Data for 50Hz - 2 poles - Three-Phase Motors (5)

Order Code	Maximum flow [m ³ /h]	Maximum Differential Pressure Δp [hPa]	Electric Motor data			Noise level Lp (3) [dB (A)]	Weight [kg]
			Installed Power [kW]	Voltage (2) Δ/Y [V]	Rated Amps Δ/Y [A]		
X2.42-7.5	420	375	7,5	400/690	14,9 / 8,6	79,5	95
X2.42-9.2	420	475	9,2	400/690	17,6 / 13,1	80,0	100
X2.42-11.0	420	600	11,0	400/690	20,5 / 11,9	80,5	102
X2.42-15.0	420	650	15,0	400/690	29,2 / 16,9	81,0	105

Performance Diagrams [50Hz] (1)



Overall Dimensions [mm] (4)



Notes:

- (1) Performance curves refer to operative conditions to air at 15°C temperature and 1013 hPa (abs) pressure measured at inlet port. Tolerance on capacity and temperature values: +/-10%. 1 hPa = 1 mbar
- (2) Allowed tolerance for supplied voltage: +/-10%.
- (3) Noise measured at 1 meter distance in accordance to EN ISO 3744, tolerance: +/-3 dB (A).
- (4) Tolerance about dimensions according to: ISO 2768-c.
- (5) For use with frequencies different from 50Hz, refer to variable frequency table.

For proper installation and safe use of the blower it must be equipped with relief valve and air filter.
For further details ask for the Compressor connection diagram.

Data subject to change without prior notice.

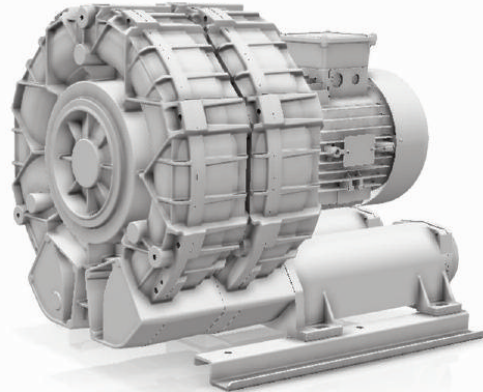
Tel: ++44(0)1297 529242
www.aircontrolindustries.com

Single stage Lateral Channel Blowers Exhauster - 50Hz

D1.140 SM

Main Features

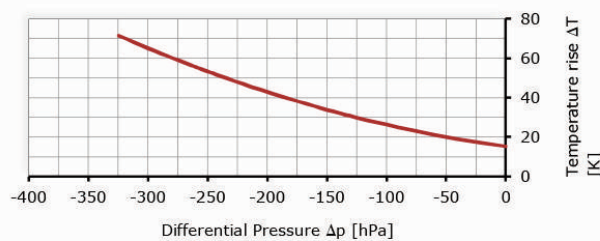
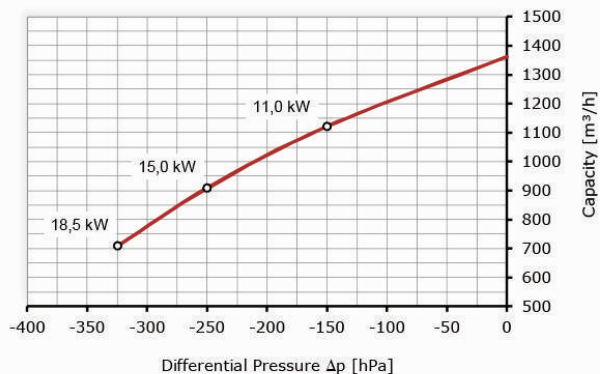
- ☑ Compliance with the Machinery Directive 2006/42/CE
- Maximum flow: 1363 m³/h
- Maximum Vacuum: -325 mbar
- Aluminium alloy parts
- Motors manufactured in conformity to EN 60034-1 / IEC 60034-1
- Suitable for horizontal and vertical installation
- Inlet / Outlet ports: G4"



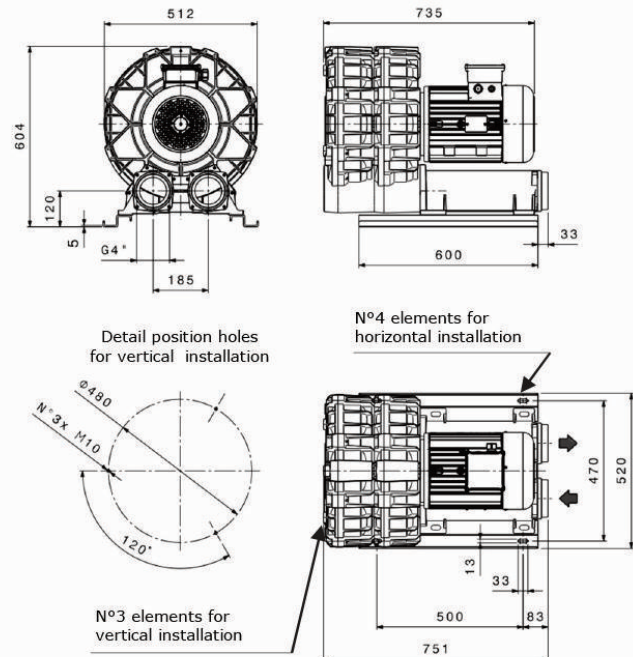
Technical Data for 50Hz - 2 poles - Three-Phase Motors (5)

Order Code	Maximum flow [m ³ /h]	Maximum Differential Pressure Δp [hPa]	Electric Motor data			Noise level Lp (3) [dB (A)]	Weight [kg]
			Installed Power [kW]	Voltage (2) ΔY [V]	Rated Amps ΔY [A]		
D1.140-11.0	1363	-150	11,0	400/690	21,5 / 12,4	86,0	150
D1.140-15.0	1363	-250	15,0	400/690	29,2 / 16,9	86,5	153
D1.140-18.5	1363	-325	18,5	400/690	34,8 / 20,1	86,0	174

Performance Diagrams [50Hz] (1)



Overall Dimensions [mm] (4)



Notes:

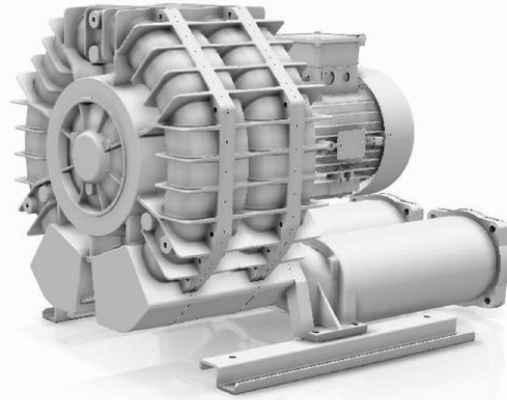
- (1) Performance curves refer to operative conditions to air at 15°C temperature measured at inlet port and a pressure of 1013 hPa (abs) at outlet port. Tolerance on capacity and temperature values: +/-10%.
1 hPa = 1 mbar
- (2) Allowed tolerance for supplied voltage: +/-10%.
- (3) Noise measured at 1 meter distance in accordance to EN ISO 3744, tolerance: +/-3 dB (A).
- (4) Tolerance about dimensions according to: ISO 2768-c.
- (5) For use with frequencies different from 50Hz, refer to variable frequency table.

For proper installation and safe use of the blower it must be equipped with relief valve and air filter.
For further details ask for the Exhauster connection diagram.

Single stage Lateral Channel Blowers Exhauster - 50Hz **D1.170 SM**

Main Features

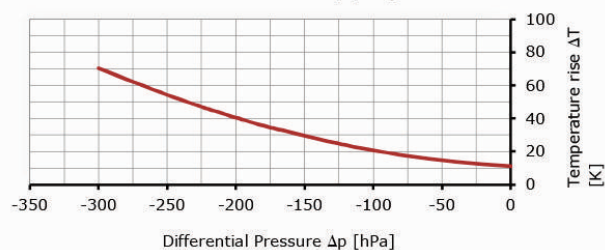
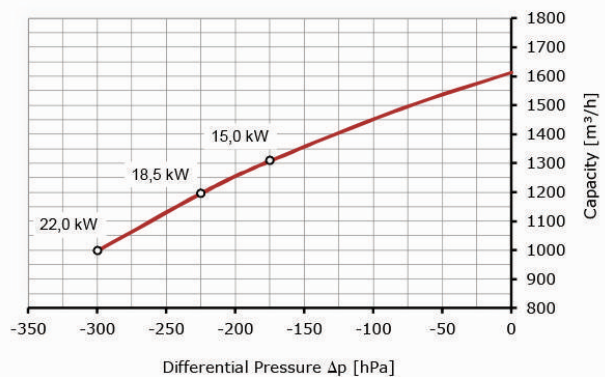
- ☑ Compliance with the Machinery Directive 2006/42/CE
- Maximum flow: 1615 m³/h
- Maximum Vacuum: -300 mbar
- Aluminium alloy parts
- Motors manufactured in conformity to EN 60034-1 / IEC 60034-1
- Suitable for horizontal and vertical installation
- Inlet / Outlet ports: G5"



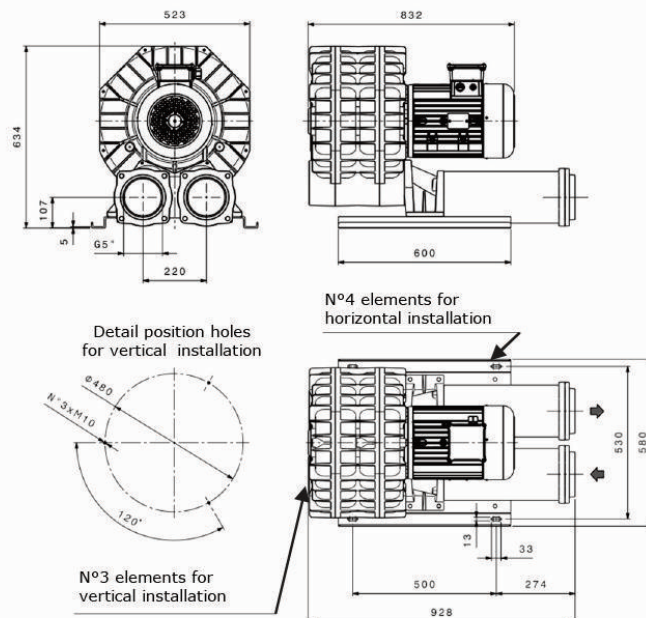
Technical Data for 50Hz - 2 poles - Three-Phase Motors (5)

Order Code	Maximum flow [m ³ /h]	Maximum Differential Pressure Δp [hPa]	Electric Motor data			Noise level Lp (3) [dB (A)]	Weight [kg]
			Installed Power [kW]	Voltage (2) ΔY [V]	Rated Amps ΔY [A]		
D1.170-15.0	1615	-175	15,0	400/690	29,2 / 16,9	84,5	150
D1.170-18.5	1615	-225	18,5	400/690	34,8 / 20,1	85,0	174
D1.170-22.0	1615	-300	22,0	400/690	43,0 / 25,0	86,0	195

Performance Diagrams [50Hz] (1)



Overall Dimensions [mm] (4)



Notes:

- (1) Performance curves refer to operative conditions to air at 15°C temperature measured at inlet port and a pressure of 1013 hPa (abs) at outlet port. Tolerance on capacity and temperature values: +/-10%.
1 hPa = 1 mbar
- (2) Allowed tolerance for supplied voltage: +/-10%.
- (3) Noise measured at 1 meter distance in accordance to EN ISO 3744, tolerance: +/-3 dB (A).
- (4) Tolerance about dimensions according to: ISO 2768-c.
- (5) For use with frequencies different from 50Hz, refer to variable frequency table.

For proper installation and safe use of the blower it must be equipped with relief valve and air filter.

For further details ask for the Exhauster connection diagram.

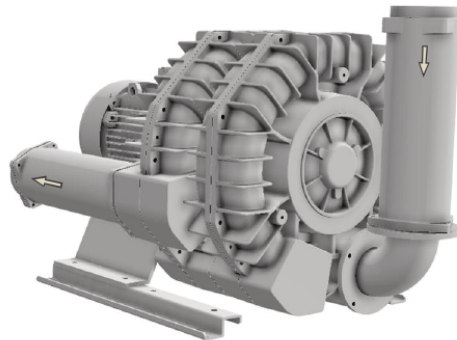
Double stage Lateral Channel Blowers

Exhauster - 50Hz

D2.70 SM

Main Features

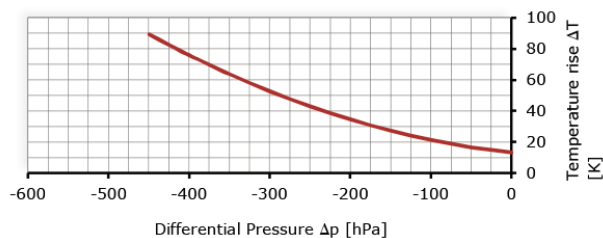
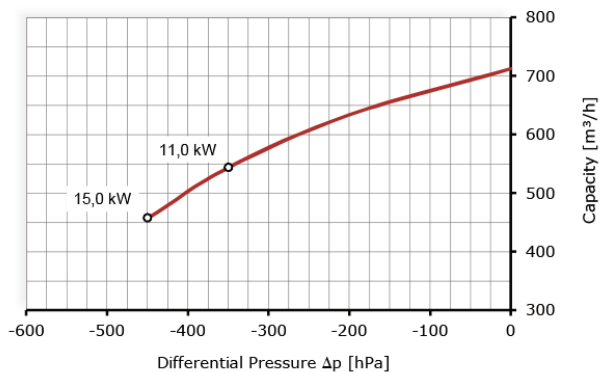
- ☑ Compliance with the Machinery Directive 2006/42/CE
- Maximum flow: 713 m³/h
- Maximum Vacuum: -450 mbar
- Aluminium alloy parts
- Motors manufactured in conformity to EN 60034-1 / IEC 60034-1
- Suitable for horizontal installation
- Inlet / Outlet ports: G4"



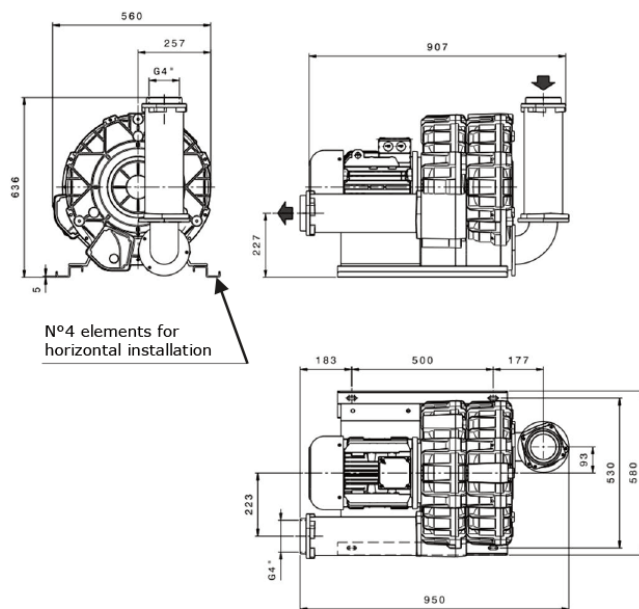
Technical Data for 50Hz - 2 poles - Three-Phase Motors ⁽⁵⁾

Order Code	Maximum flow [m ³ /h]	Maximum Differential Pressure Δp [hPa]	Electric Motor data			Noise level Lp ⁽³⁾ [dB (A)]	Weight [kg]
			Installed Power [kW]	Voltage ⁽²⁾ ΔY [V]	Rated Amps ΔY [A]		
D2.70-11.0	713	-350	11,0	400/690	21,5 / 12,4	86,0	153
D2.70-15.0	713	-450	15,0	400/690	29,2 / 16,9	87,0	156

Performance Diagrams [50Hz] ⁽¹⁾



Overall Dimensions [mm] ⁽⁴⁾



Notes:

- (1) Performance curves refer to operative conditions to air at 15°C temperature measured at inlet port and a pressure of 1013 hPa (abs) at outlet port. Tolerance on capacity and temperature values: +/-10%.
1 hPa = 1 mbar
- (2) Allowed tolerance for supplied voltage: +/-10%.
- (3) Noise measured at 1 meter distance in accordance to EN ISO 3744, tolerance: +/-3 dB (A).
- (4) Tolerance about dimensions according to: ISO 2768-c.
- (5) For use with frequencies different from 50Hz, refer to variable frequency table.

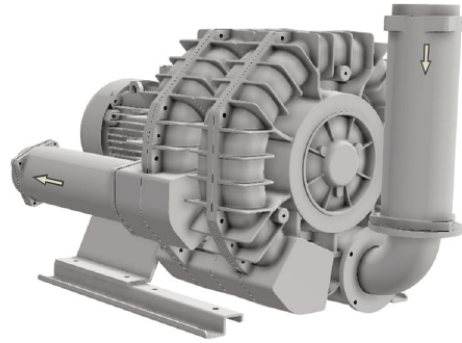
For proper installation and safe use of the blower it must be equipped with relief valve and air filter.
For further details ask for the Exhauster connection diagram.

Double stage Lateral Channel Blowers Exhauster - 50Hz

D2.85 SM

Main Features

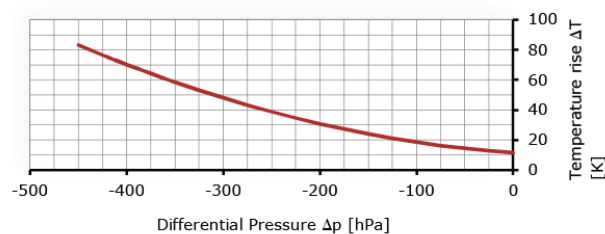
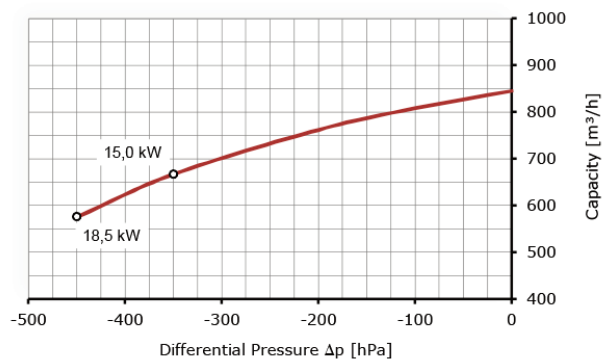
- ☑ Compliance with the Machinery Directive 2006/42/CE
- Maximum flow: 846 m³/h
- Maximum Vacuum: -450 mbar
- Aluminium alloy parts
- Motors manufactured in conformity to EN 60034-1 / IEC 60034-1
- Suitable for horizontal installation
- Inlet / Outlet ports: G4"



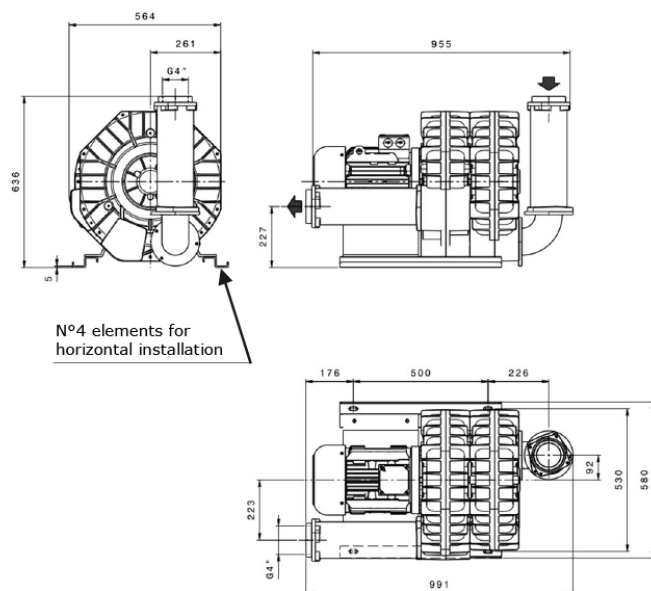
Technical Data for 50Hz - 2 poles - Three-Phase Motors (5)

Order Code	Maximum flow [m ³ /h]	Maximum Differential Pressure Δp [hPa]	Electric Motor data			Noise level Lp (3) [dB (A)]	Weight [kg]
			Installed Power [kW]	Voltage (2) Δ/Y [V]	Rated Amps Δ/Y [A]		
D2.85-15.0	846	-350	15,0	400/690	29,2 / 16,9	85,5	149
D2.85-18.5	846	-450	18,5	400/690	34,8 / 20,1	87,0	170

Performance Diagrams [50Hz] (1)



Overall Dimensions [mm] (4)



Notes:

- (1) Performance curves refer to operative conditions to air at 15°C temperature measured at inlet port and a pressure of 1013 hPa (abs) at outlet port.
Tolerance on capacity and temperature values: +/-10%.
1 hPa = 1 mbar
- (2) Allowed tolerance for supplied voltage: +/-10%.
- (3) Noise measured at 1 meter distance in accordance to EN ISO 3744, tolerance: +/-3 dB (A).
- (4) Tolerance about dimensions according to: ISO 2768-c.
- (5) For use with frequencies different from 50Hz, refer to variable frequency table.

For proper installation and safe use of the blower it must be equipped with relief valve and air filter.
For further details ask for the Exhauster connection diagram.

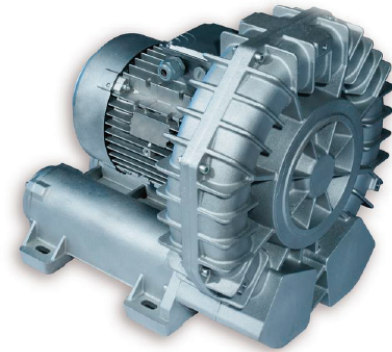
Single stage Lateral Channel Blowers Exhauster - 50Hz **X1.40 SM**

Air Control Industries
Global Air Movement Specialists since 1969



Main Features

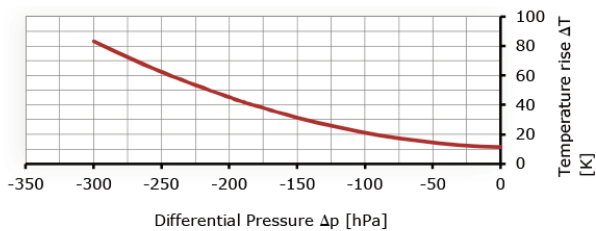
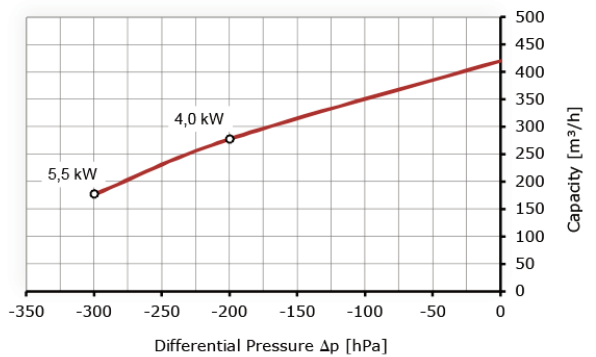
- CE Compliance with the Machinery Directive 2006/42/CE
- Maximum flow: 420 m³/h
- Maximum Vacuum: -300 mbar
- Aluminium alloy parts
- Motors manufactured in conformity to EN 60034-1 / IEC 60034-1
- Suitable for horizontal and vertical installation
- Inlet / Outlet ports: G3"



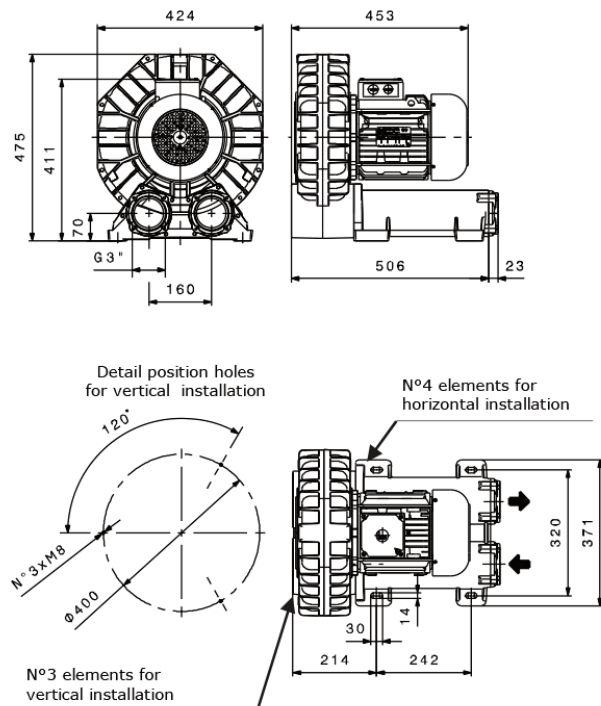
Technical Data for 50Hz - 2 poles - Three-Phase Motors [5]

Order Code	Maximum flow [m ³ /h]	Maximum Differential Pressure Δp [hPa]	Electric Motor data			Noise level Lp [3] [dB (A)]	Weight [kg]
			Installed Power [kW]	Voltage [2] Δ/Y [V]	Rated Amps Δ/Y [A]		
X1.40-4.0	420	-200	4,00	230/400	13,0 / 7,5	75,5	55
X1.40-5.5	420	-300	5,50	400/690	10,8 / 6,2	76,0	64

Performance Diagrams [50Hz] [1]



Overall Dimensions [mm] [4]



Notes:

- (1) Performance curves refer to operative conditions to air at 15°C temperature measured at inlet port and a pressure of 1013 hPa (abs) at outlet port. Tolerance on capacity and temperature values: +/-10%. 1 hPa = 1 mbar
- (2) Allowed tolerance for supplied voltage: +/-10%.
- (3) Noise measured at 1 meter distance in accordance to EN ISO 3744, tolerance: +/-3 dB (A).
- (4) Tolerance about dimensions according to: ISO 2768-c.
- (5) For use with frequencies different from 50Hz, refer to variable frequency table.

For proper installation and safe use of the blower it must be equipped with relief valve and air filter.
For further details ask for the Exhauster connection diagram.

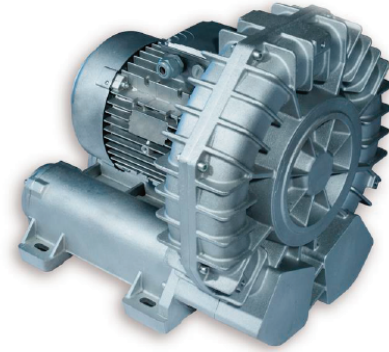
Single stage Lateral Channel Blowers Exhauster - 50Hz **X1.50 SM**

Air Control Industries
Global Air Movement Specialists since 1969



Main Features

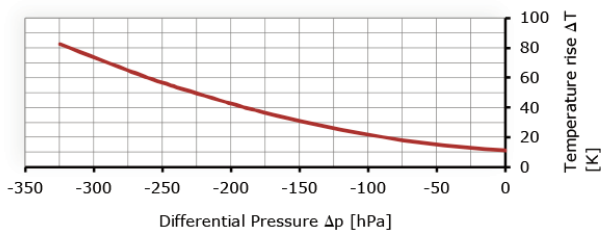
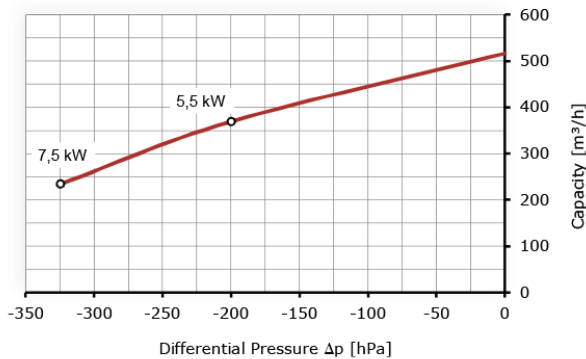
- CE Compliance with the Machinery Directive 2006/42/CE
- Maximum flow: 517 m³/h
- Maximum Vacuum: -325 mbar
- Aluminium alloy parts
- Motors manufactured in conformity to EN 60034-1 / IEC 60034-1
- Suitable for horizontal and vertical installation
- Inlet / Outlet ports: G3"



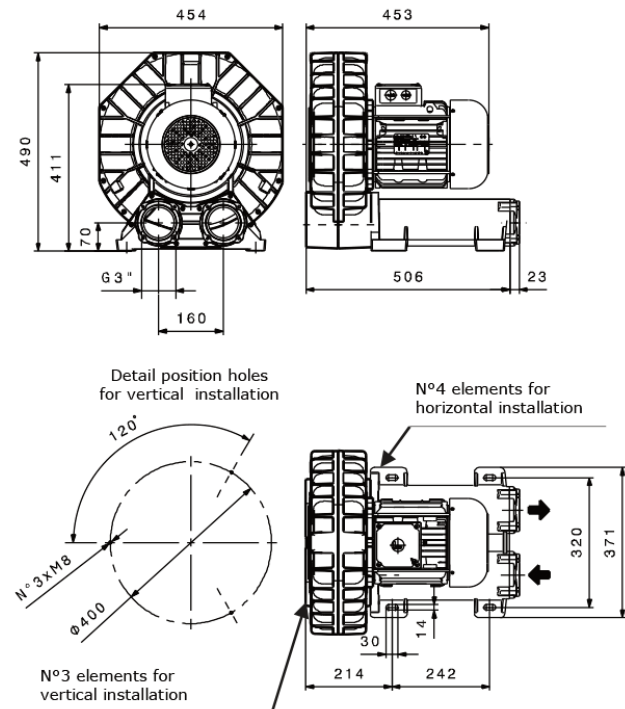
Technical Data for 50Hz - 2 poles - Three-Phase Motors (5)

Order Code	Maximum flow [m ³ /h]	Maximum Differential Pressure Δp [hPa]	Electric Motor data			Noise level Lp (3) [dB (A)]	Weight [kg]
			Installed Power [kW]	Voltage (2) Δ/Y [V]	Rated Amps Δ/Y [A]		
X1.50-5.5	517	-200	5,50	400/690	10,8 / 6,2	76,5	57
X1.50-7.5	517	-325	7,50	400/690	14,9 / 8,6	77,0	66

Performance Diagrams [50Hz] (1)



Overall Dimensions [mm] (4)



Notes:

- (1) Performance curves refer to operative conditions to air at 15°C temperature measured at inlet port and a pressure of 1013 hPa (abs) at outlet port. Tolerance on capacity and temperature values: +/-10%. 1 hPa = 1 mbar
- (2) Allowed tolerance for supplied voltage: +/-10%.
- (3) Noise measured at 1 meter distance in accordance to EN ISO 3744, tolerance: +/-3 dB (A).
- (4) Tolerance about dimensions according to: ISO 2768-c.
- (5) For use with frequencies different from 50Hz, refer to variable frequency table.

For proper installation and safe use of the blower it must be equipped with relief valve and air filter.
For further details ask for the Exhauster connection diagram.

Single stage Lateral Channel Blowers Exhauster - 50Hz **X1.70 SM**

Air Control Industries
Global Air Movement Specialists since 1969

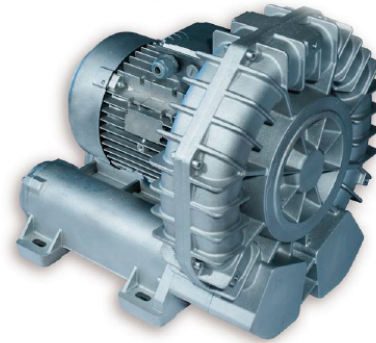


italBLOWERS

Main Features

CE Compliance with the Machinery Directive 2006/42/CE

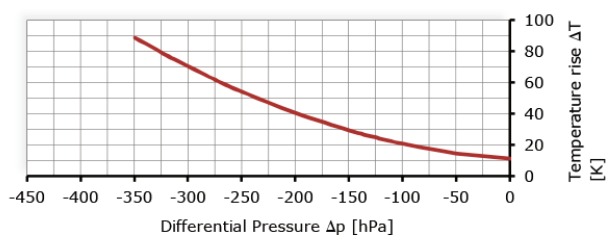
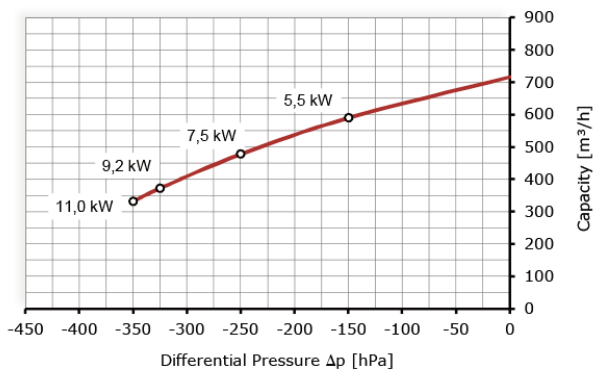
- Maximum flow: 717 m³/h
- Maximum Vacuum: -350 mbar
- Aluminium alloy parts
- Motors manufactured in conformity to EN 60034-1 / IEC 60034-1
- Suitable for horizontal and vertical installation
- Inlet / Outlet ports: G4"



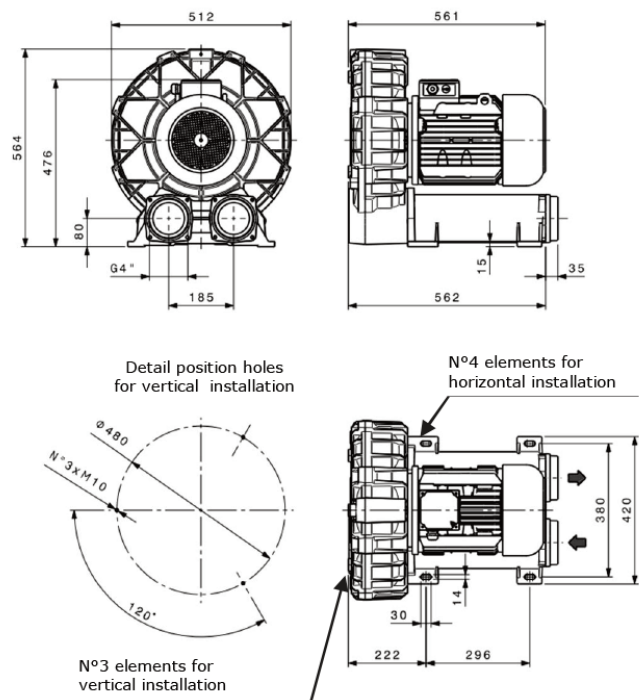
Technical Data for 50Hz - 2 poles - Three-Phase Motors ⁽⁵⁾

Order Code	Maximum flow [m ³ /h]	Maximum Differential Pressure Δp [hPa]	Electric Motor data			Noise level Lp ⁽³⁾ [dB (A)]	Weight [kg]
			Installed Power [kW]	Voltage ⁽²⁾ Δ/Y [V]	Rated Amps Δ/Y [A]		
X1.70-5.5	717	-150	5,5	400/690	10,8 / 6,2	79,5	71
X1.70-7.5	717	-250	7,5	400/690	14,9 / 8,6	80,0	76
X1.70-9.2	717	-325	9,2	400/690	18,0 / 10,4	80,5	97
X1.70-11.0	717	-350	11,0	400/690	21,5 / 12,4	81,0	99

Performance Diagrams [50Hz] ⁽¹⁾



Overall Dimensions [mm] ⁽⁴⁾



Notes:

- (1) Performance curves refer to operative conditions to air at 15°C temperature measured at inlet port and a pressure of 1013 hPa (abs) at outlet port. Tolerance on capacity and temperature values: +/-10%. 1 hPa = 1 mbar
- (2) Allowed tolerance for supplied voltage: +/-10%.
- (3) Noise measured at 1 meter distance in accordance to EN ISO 3744, tolerance: +/-3 dB (A).
- (4) Tolerance about dimensions according to: ISO 2768-c.
- (5) For use with frequencies different from 50Hz, refer to variable frequency table.

For proper installation and safe use of the blower it must be equipped with relief valve and air filter.
For further details ask for the Exhauster connection diagram.

Data subject to change without prior notice.

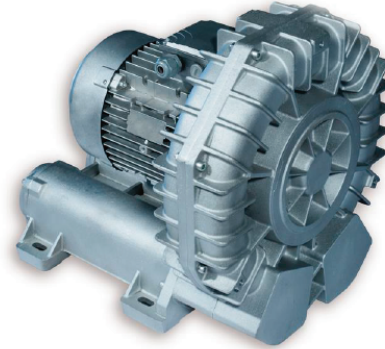
Tel: ++44(0)1297 529242
www.aircontrolindustries.com

Single stage Lateral Channel Blowers Exhauster - 50Hz **X1.85 SM**

Main Features

CE Compliance with the Machinery Directive 2006/42/CE

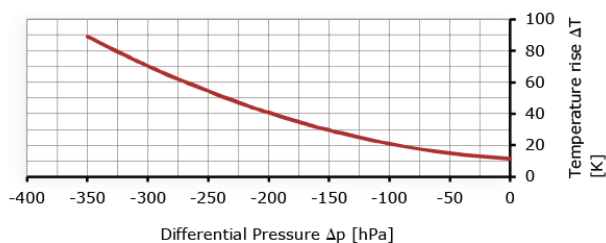
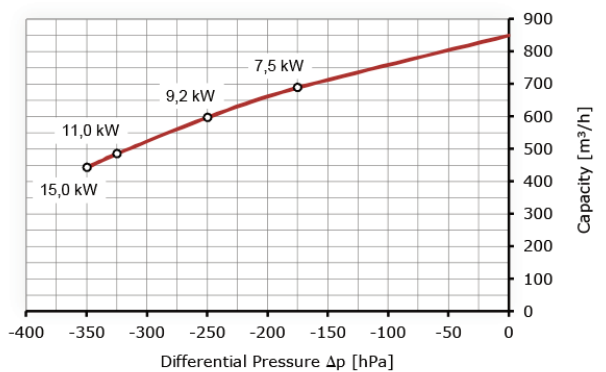
- Maximum flow: 850 m³/h
- Maximum Vacuum: -350 mbar
- Aluminium alloy parts
- Motors manufactured in conformity to EN 60034-1 / IEC 60034-1
- Suitable for horizontal and vertical installation
- Inlet / Outlet ports: G4"



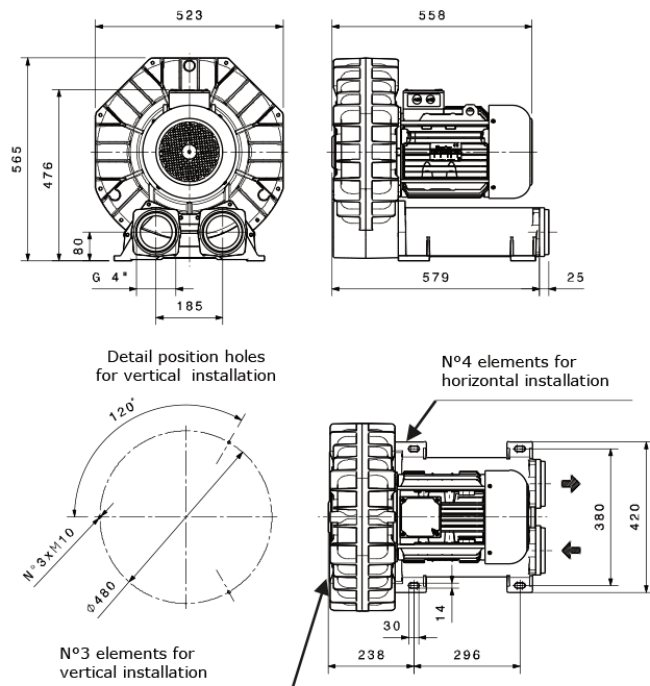
Technical Data for 50Hz - 2 poles - Three-Phase Motors (5)

Order Code	Maximum flow [m ³ /h]	Maximum Differential Pressure Δp [hPa]	Electric Motor data			Noise level Lp (3) [dB (A)]	Weight [kg]
			Installed Power [kW]	Voltage (2) Δ/Y [V]	Rated Amps Δ/Y [A]		
X1.85-7.5	850	-175	7,5	400/690	14,9 / 8,6	81,0	94
X1.85-9.2	850	-250	9,2	400/690	18,0 / 10,4	81,5	99
X1.85-11.0	850	-325	11,0	400/690	21,5 / 12,4	82,0	101
X1.85-15.0	850	-350	15,0	400/690	29,2 / 16,9	82,5	104

Performance Diagrams [50Hz] (1)



Overall Dimensions [mm] (4)



Notes:

- (1) Performance curves refer to operative conditions to air at 15°C temperature measured at inlet port and a pressure of 1013 hPa (abs) at outlet port. Tolerance on capacity and temperature values: +/-10%. 1 hPa = 1 mbar
- (2) Allowed tolerance for supplied voltage: +/-10%.
- (3) Noise measured at 1 meter distance in accordance to EN ISO 3744, tolerance: +/-3 dB (A).
- (4) Tolerance about dimensions according to: ISO 2768-c.
- (5) For use with frequencies different from 50Hz, refer to variable frequency table.

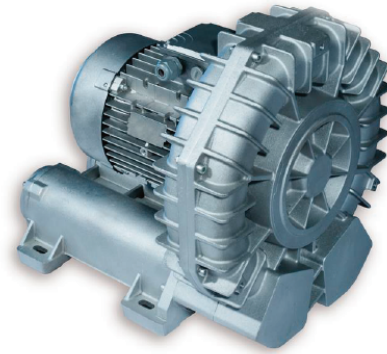
For proper installation and safe use of the blower it must be equipped with relief valve and air filter.
For further details ask for the Exhauster connection diagram.

Double stage Lateral Channel Blowers Exhauster - 50Hz *X2.05 SM*

Main Features

CE Compliance with the Machinery Directive 2006/42/CE

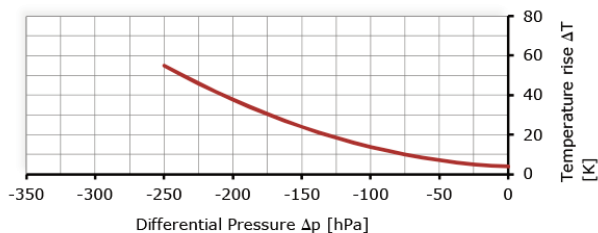
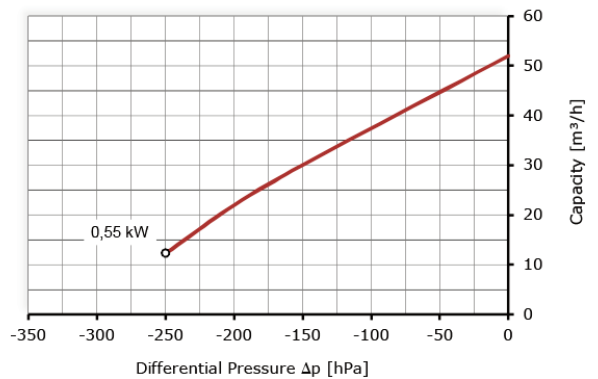
- Maximum flow: 52 m³/h
- Maximum Vacuum: -250 mbar
- Aluminium alloy parts
- Motors manufactured in conformity to EN 60034-1 / IEC 60034-1
- Suitable for horizontal and vertical installation
- Inlet / Outlet ports: G1 1/4"



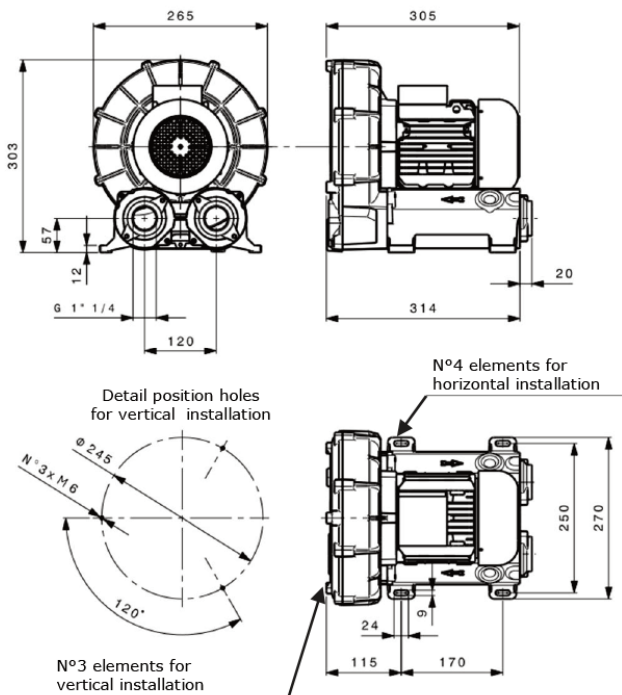
Technical Data for 50Hz - 2 poles - Three-Phase Motors (5)

Order Code	Maximum flow [m ³ /h]	Maximum Differential Pressure Δp [hPa]	Electric Motor data			Noise level Lp (3) [dB (A)]	Weight [kg]
			Installed Power [kW]	Voltage (2) Δ/Y [V]	Rated Amps Δ/Y [A]		
X2.05-0.55	52	-250	0,55	230/400	2,5 / 1,5	60,0	13

Performance Diagrams [50Hz] (1)



Overall Dimensions [mm] (4)



Notes:

- (1) Performance curves refer to operative conditions to air at 15°C temperature measured at inlet port and a pressure of 1013 hPa (abs) at outlet port. Tolerance on capacity and temperature values: +/-10%. 1 hPa = 1 mbar
- (2) Allowed tolerance for supplied voltage: +/-10%.
- (3) Noise measured at 1 meter distance in accordance to EN ISO 3744, tolerance: +/-3 dB (A).
- (4) Tolerance about dimensions according to: ISO 2768-c.
- (5) For use with frequencies different from 50Hz, refer to variable frequency table.

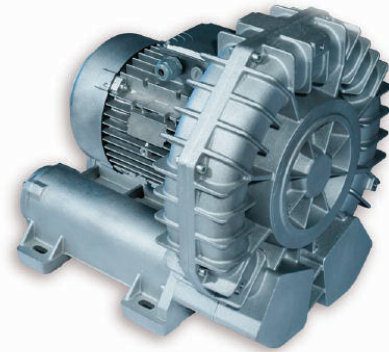
For proper installation and safe use of the blower it must be equipped with relief valve and air filter.
For further details ask for the Exhauster connection diagram.

Double stage Lateral Channel Blowers Exhauster - 50Hz **X2.07 SM**

Main Features

CE Compliance with the Machinery Directive 2006/42/CE

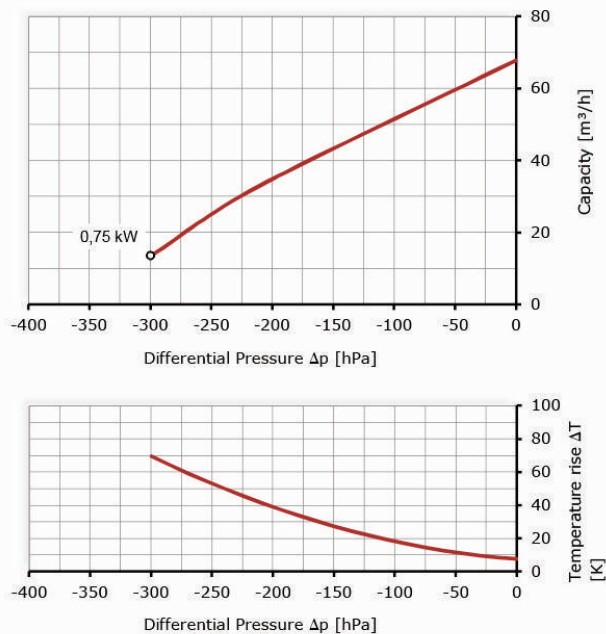
- Maximum flow: 68 m³/h
- Maximum Vacuum: -300 mbar
- Aluminium alloy parts
- Motors manufactured in conformity to EN 60034-1 / IEC 60034-1
- Suitable for horizontal and vertical installation
- Inlet / Outlet ports: G1 1/4"



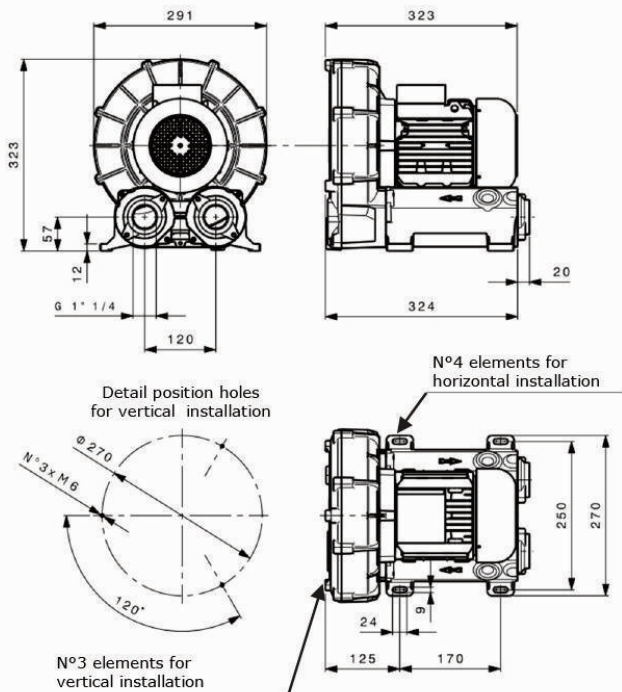
Technical Data for 50Hz - 2 poles - Three-Phase Motors (5)

Order Code	Maximum flow [m ³ /h]	Maximum Differential Pressure Δp [hPa]	Electric Motor data			Noise level Lp (3) [dB (A)]	Weight [kg]
			Installed Power [kW]	Voltage (2) ΔY [V]	Rated Amps ΔY [A]		
X2.07-0.75	68	-300	0,75	230/400	3,4 / 1,95	64,5	18

Performance Diagrams [50Hz] (1)



Overall Dimensions [mm] (4)



Notes:

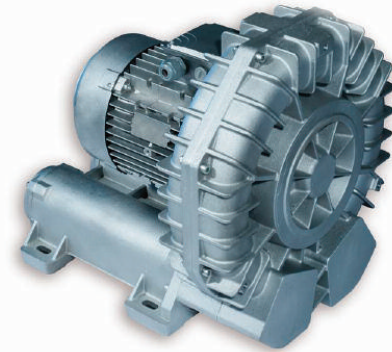
- (1) Performance curves refer to operative conditions to air at 15°C temperature measured at inlet port and a pressure of 1013 hPa (abs) at outlet port. Tolerance on capacity and temperature values: +/-10%.
1 hPa = 1 mbar
- (2) Allowed tolerance for supplied voltage: +/-10%.
- (3) Noise measured at 1 meter distance in accordance to EN ISO 3744, tolerance: +/-3 dB (A).
- (4) Tolerance about dimensions according to: ISO 2768-c.
- (5) For use with frequencies different from 50Hz, refer to variable frequency table.

For proper installation and safe use of the blower it must be equipped with relief valve and air filter.
For further details ask for the Exhauster connection diagram.

Double stage Lateral Channel Blowers Exhauster - 50Hz **X2.10 SM**

Main Features

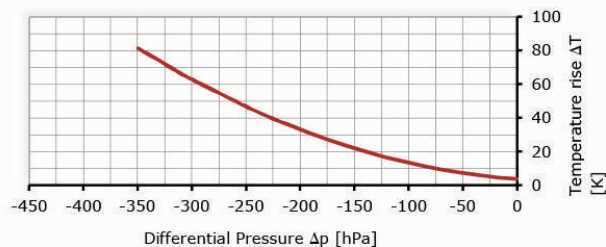
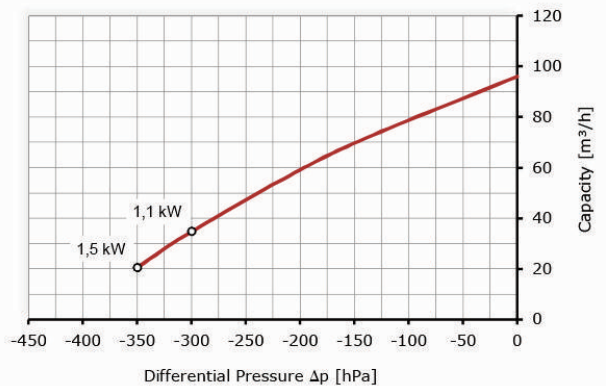
- CE Compliance with the Machinery Directive 2006/42/CE
- Maximum flow: 96 m³/h
- Maximum Vacuum: -350 mbar
- Aluminium alloy parts
- Motors manufactured in conformity to EN 60034-1 / IEC 60034-1
- Suitable for horizontal and vertical installation
- Inlet / Outlet ports: G1 1/4"



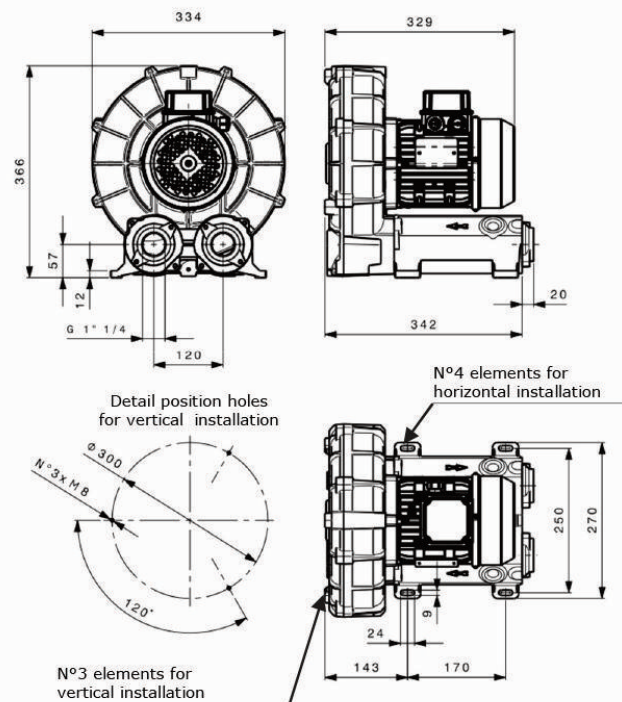
Technical Data for 50Hz - 2 poles - Three-Phase Motors [5]

Order Code	Maximum flow [m ³ /h]	Maximum Differential Pressure Δp [hPa]	Electric Motor data			Noise level Lp [3] [dB (A)]	Weight [kg]
			Installed Power [kW]	Voltage [2] Δ/Y [V]	Rated Amps Δ/Y [A]		
X2.10-1.10	96	-300	1,1	230/400	4,5 / 2,6	65,5	21
X2.10-1.50	96	-350	1,5	230/400	6,3 / 3,6	66,0	23

Performance Diagrams [50Hz] [1]



Overall Dimensions [mm] [4]



Notes:

- (1) Performance curves refer to operative conditions to air at 15°C temperature measured at inlet port and a pressure of 1013 hPa (abs) at outlet port. Tolerance on capacity and temperature values: +/-10%. 1 hPa = 1 mbar
- (2) Allowed tolerance for supplied voltage: +/-10%.
- (3) Noise measured at 1 meter distance in accordance to EN ISO 3744, tolerance: +/-3 dB (A).
- (4) Tolerance about dimensions according to: ISO 2768-c.
- (5) For use with frequencies different from 50Hz, refer to variable frequency table.

For proper installation and safe use of the blower it must be equipped with relief valve and air filter.
For further details ask for the Exhauster connection diagram.

Double stage Lateral Channel Blowers Exhauster - 50Hz **X2.14 SM**

Air Control Industries
Global Air Movement Specialists since 1969

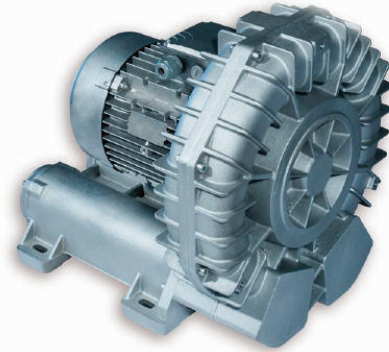


italBLOWERS

Main Features

CE Compliance with the Machinery Directive 2006/42/CE

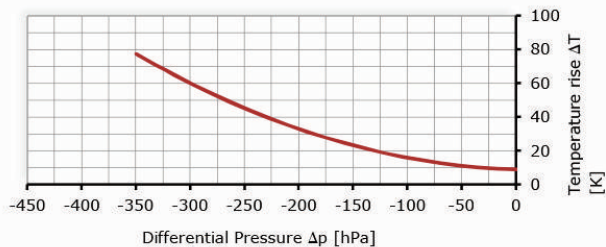
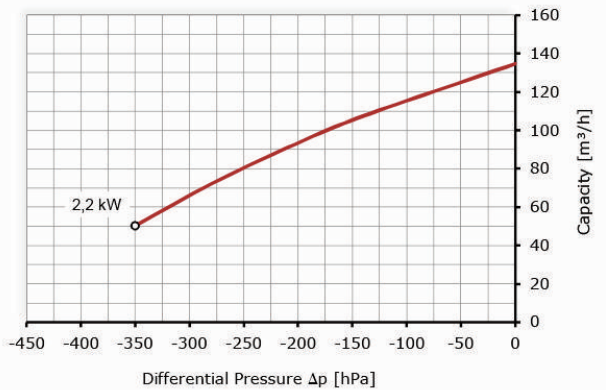
- Maximum flow: 135 m³/h
- Maximum Vacuum: -350 mbar
- Aluminium alloy parts
- Motors manufactured in conformity to EN 60034-1 / IEC 60034-1
- Suitable for horizontal and vertical installation
- Inlet / Outlet ports: G1 1/2"



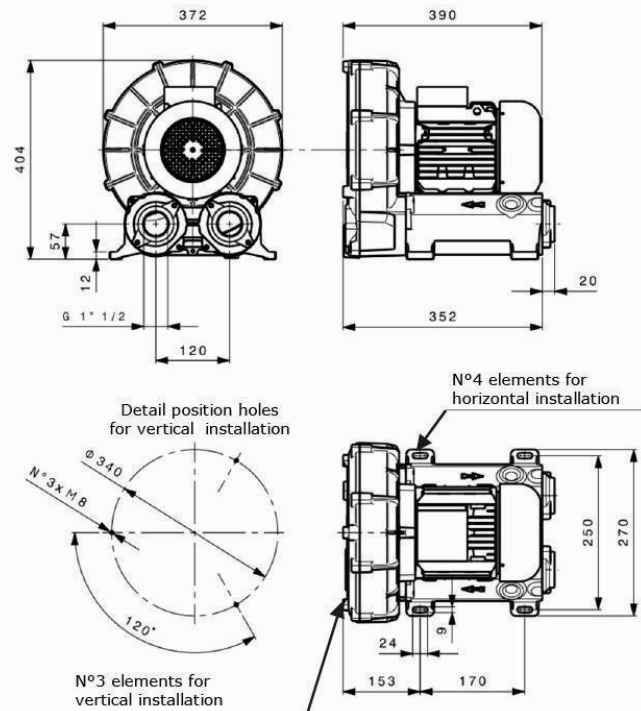
Technical Data for 50Hz - 2 poles - Three-Phase Motors (5)

Order Code	Maximum flow [m ³ /h]	Maximum Differential Pressure Δp [hPa]	Electric Motor data			Noise level Lp (3) [dB (A)]	Weight [kg]
			Installed Power [kW]	Voltage (2) Δ/Y [V]	Rated Amps Δ/Y [A]		
X2.14-2.20	135	-350	2,2	230/400	8,5 / 4,9	66,5	30

Performance Diagrams [50Hz] (1)



Overall Dimensions [mm] (4)



Notes:

- (1) Performance curves refer to operative conditions to air at 15°C temperature measured at inlet port and a pressure of 1013 hPa (abs) at outlet port.
Tolerance on capacity and temperature values: +/-10%.
1 hPa = 1 mbar
- (2) Allowed tolerance for supplied voltage: +/-10%.
- (3) Noise measured at 1 meter distance in accordance to EN ISO 3744, tolerance: +/-3 dB (A).
- (4) Tolerance about dimensions according to: ISO 2768-c.
- (5) For use with frequencies different from 50Hz, refer to variable frequency table.

For proper installation and safe use of the blower it must be equipped with relief valve and air filter.
For further details ask for the Exhauster connection diagram.

Data subject to change without prior notice.

Tel: ++44(0)1297 529242
www.aircontrolindustries.com

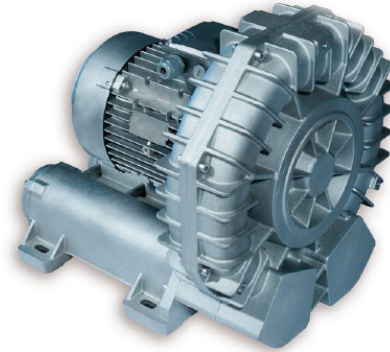
Double stage Lateral Channel Blowers Exhauster - 50Hz **X2.20 SM**

Air Control Industries
Global Air Movement Specialists since 1969



Main Features

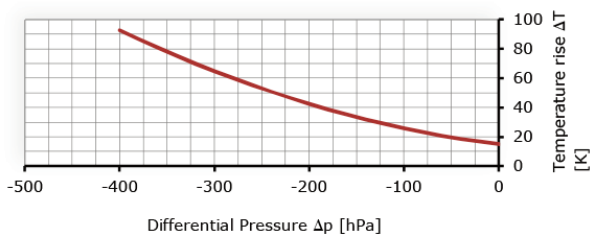
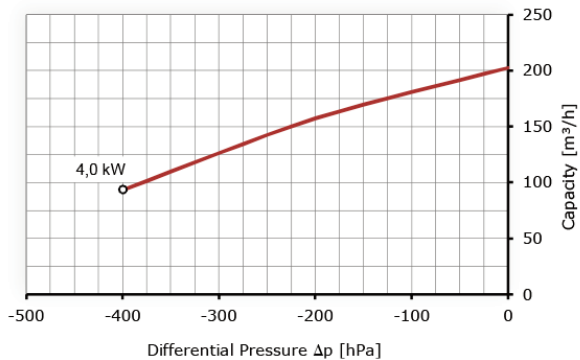
- CE Compliance with the Machinery Directive 2006/42/CE
- Maximum flow: 203 m³/h
- Maximum Vacuum: -400 mbar
- Aluminium alloy parts
- Motors manufactured in conformity to EN 60034-1 / IEC 60034-1
- Suitable for horizontal and vertical installation
- Inlet / Outlet ports: G3"



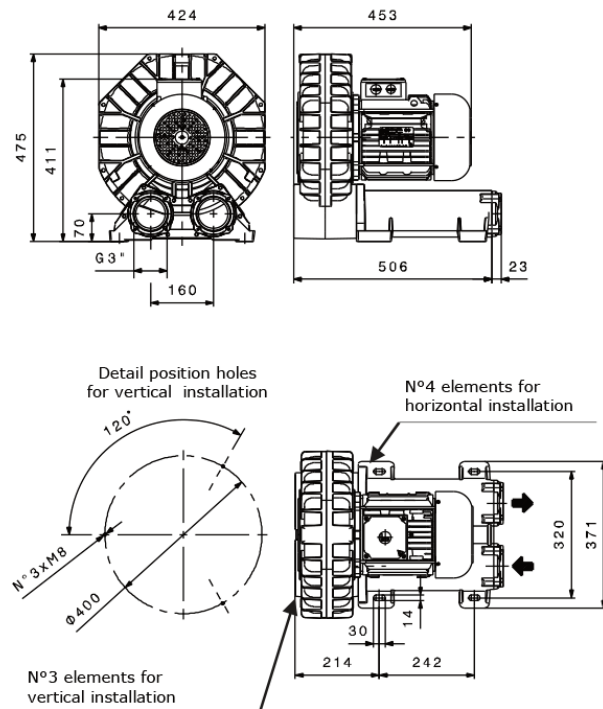
Technical Data for 50Hz - 2 poles - Three-Phase Motors (5)

Order Code	Maximum flow [m ³ /h]	Maximum Differential Pressure Δp [hPa]	Electric Motor data			Noise level Lp (3) [dB (A)]	Weight [kg]
			Installed Power [kW]	Voltage (2) Δ/Y [V]	Rated Amps Δ/Y [A]		
X2.20-4.0	203	-400	4,0	230/400	13,0 / 7,5	74,0	56

Performance Diagrams [50Hz] (1)



Overall Dimensions [mm] (4)



Notes:

- (1) Performance curves refer to operative conditions to air at 15°C temperature measured at inlet port and a pressure of 1013 hPa (abs) at outlet port. Tolerance on capacity and temperature values: +/-10%.
1 hPa = 1 mbar
- (2) Allowed tolerance for supplied voltage: +/-10%.
- (3) Noise measured at 1 meter distance in accordance to EN ISO 3744, tolerance: +/-3 dB (A).
- (4) Tolerance about dimensions according to: ISO 2768-c.
- (5) For use with frequencies different from 50Hz, refer to variable frequency table.

For proper installation and safe use of the blower it must be equipped with relief valve and air filter.
For further details ask for the Exhauster connection diagram.

Double stage Lateral Channel Blowers Exhauster - 50Hz **X2.25 SM**

Air Control Industries
Global Air Movement Specialists since 1969

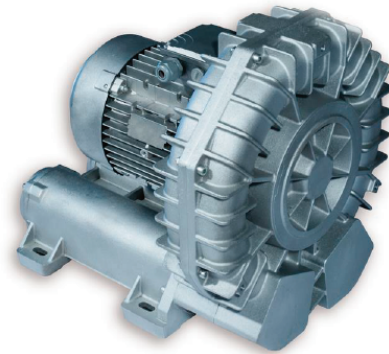


italBLOWERS

Main Features

CE Compliance with the Machinery Directive 2006/42/CE

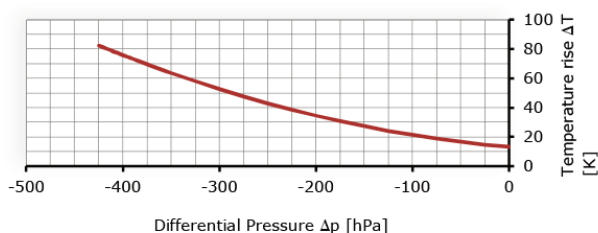
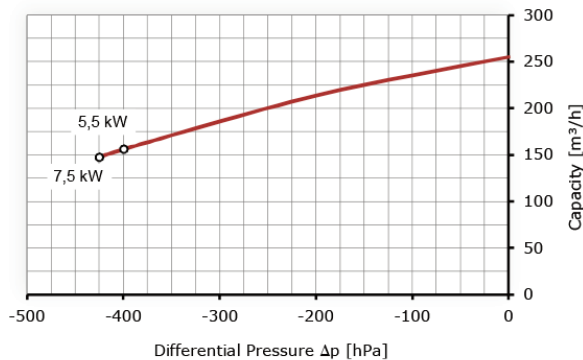
- Maximum flow: 255 m³/h
- Maximum Vacuum: -425 mbar
- Aluminium alloy parts
- Motors manufactured in conformity to EN 60034-1 / IEC 60034-1
- Suitable for horizontal and vertical installation
- Inlet / Outlet ports: G3"



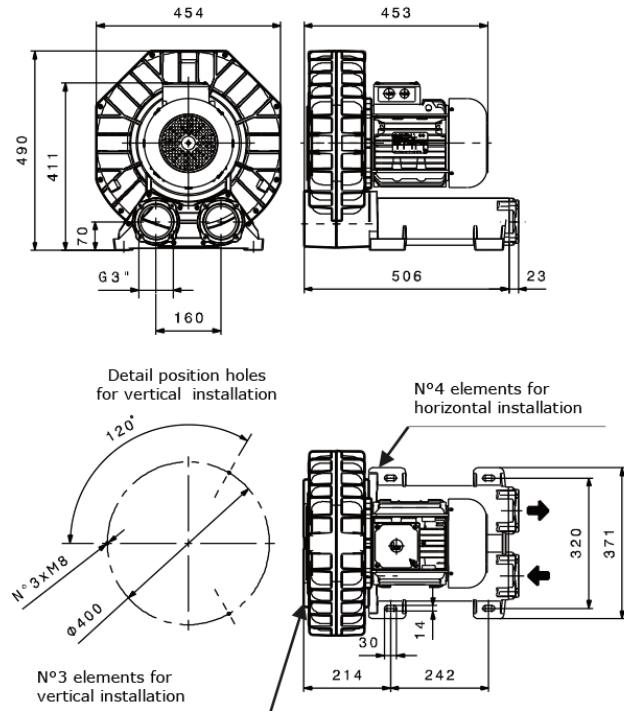
Technical Data for 50Hz - 2 poles - Three-Phase Motors (5)

Order Code	Maximum flow [m ³ /h]	Maximum Differential Pressure Δp [hPa]	Electric Motor data			Noise level Lp (3) [dB (A)]	Weight [kg]
			Installed Power [kW]	Voltage (2) Δ/Y [V]	Rated Amps Δ/Y [A]		
X2.25-5.5	255	-400	5,5	400/690	10,8 / 6,2	76,5	58
X2.25-7.5	255	-425	7,5	400/690	14,9 / 8,6	77,5	67

Performance Diagrams [50Hz] (1)



Overall Dimensions [mm] (4)



Notes:

- (1) Performance curves refer to operative conditions to air at 15°C temperature measured at inlet port and a pressure of 1013 hPa (abs) at outlet port.
Tolerance on capacity and temperature values: +/-10%.
1 hPa = 1 mbar
- (2) Allowed tolerance for supplied voltage: +/-10%.
- (3) Noise measured at 1 meter distance in accordance to EN ISO 3744, tolerance: +/-3 dB (A).
- (4) Tolerance about dimensions according to: ISO 2768-c.
- (5) For use with frequencies different from 50Hz, refer to variable frequency table.

For proper installation and safe use of the blower it must be equipped with relief valve and air filter.
For further details ask for the Exhauster connection diagram.

Data subject to change without prior notice.

Tel: ++44(0)1297 529242
www.aircontrolindustries.com

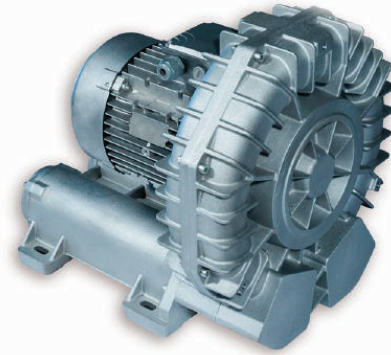
Double stage Lateral Channel Blowers Exhauster - 50Hz **X2.35 SM**

Air Control Industries
Global Air Movement Specialists since 1969



Main Features

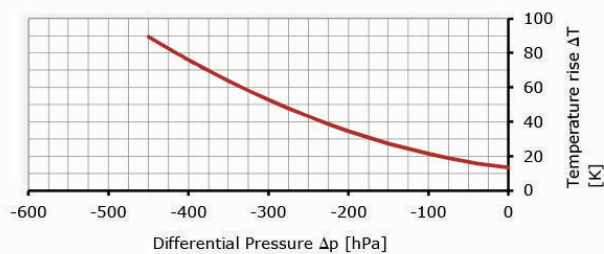
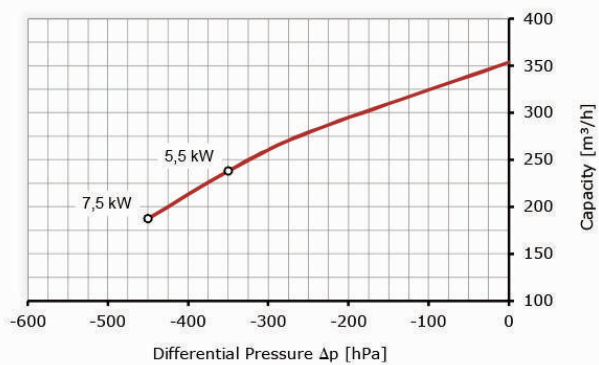
- CE Compliance with the Machinery Directive 2006/42/CE
- Maximum flow: 354 m³/h
- Maximum Vacuum: -450 mbar
- Aluminium alloy parts
- Motors manufactured in conformity to EN 60034-1 / IEC 60034-1
- Suitable for horizontal and vertical installation
- Inlet / Outlet ports: G4"



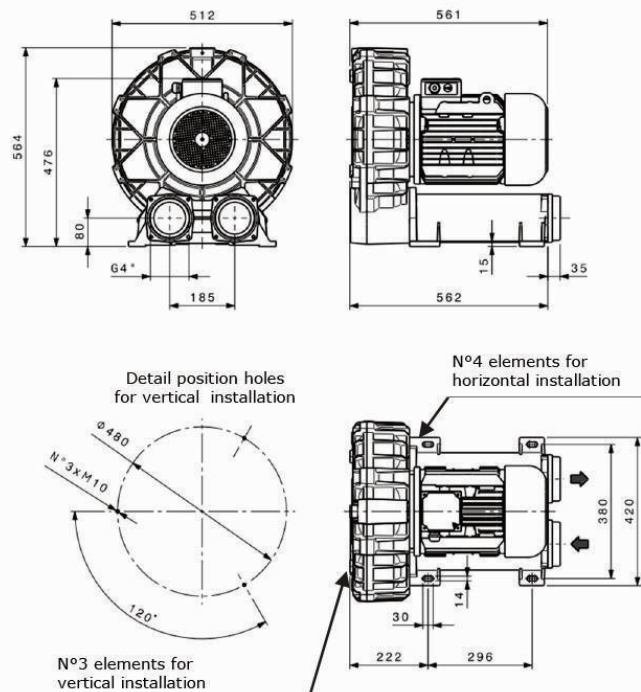
Technical Data for 50Hz - 2 poles - Three-Phase Motors (5)

Order Code	Maximum flow [m ³ /h]	Maximum Differential Pressure Δp [hPa]	Electric Motor data			Noise level Lp (3) [dB (A)]	Weight [kg]
			Installed Power [kW]	Voltage (2) Δ/Y [V]	Rated Amps Δ/Y [A]		
X2.35-5.5	354	-350	5,5	400/690	10,8 / 6,2	80,5	72
X2.35-7.5	354	-450	7,5	400/690	14,9 / 8,6	81,0	77

Performance Diagrams [50Hz] (1)



Overall Dimensions [mm] (4)



Notes:

- (1) Performance curves refer to operative conditions to air at 15°C temperature measured at inlet port and a pressure of 1013 hPa (abs) at outlet port. Tolerance on capacity and temperature values: +/-10%. 1 hPa = 1 mbar
- (2) Allowed tolerance for supplied voltage: +/-10%.
- (3) Noise measured at 1 meter distance in accordance to EN ISO 3744, tolerance: +/-3 dB (A).
- (4) Tolerance about dimensions according to: ISO 2768-c.
- (5) For use with frequencies different from 50Hz, refer to variable frequency table.

For proper installation and safe use of the blower it must be equipped with relief valve and air filter.
For further details ask for the Exhauster connection diagram.

Data subject to change without prior notice.

Tel: ++44(0)1297 529242
www.aircontrolindustries.com

Double stage Lateral Channel Blowers Exhauster - 50Hz **X2.42 SM**

Air Control Industries
Global Air Movement Specialists since 1969



italBLOWERS

Main Features

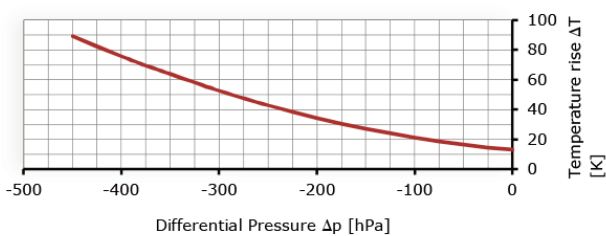
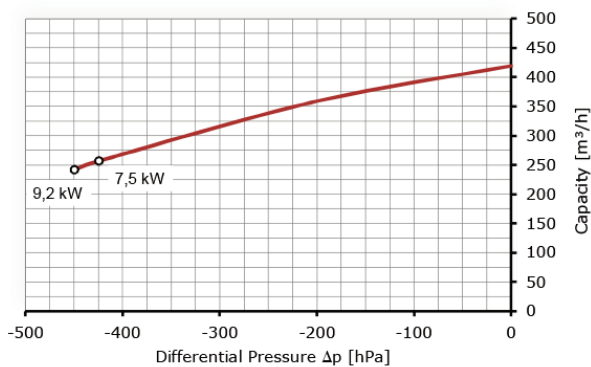
- CE Compliance with the Machinery Directive 2006/42/CE
- Maximum flow: 420 m³/h
- Maximum Vacuum: -450 mbar
- Aluminium alloy parts
- Motors manufactured in conformity to EN 60034-1 / IEC 60034-1
- Suitable for horizontal and vertical installation
- Inlet / Outlet ports: G4"



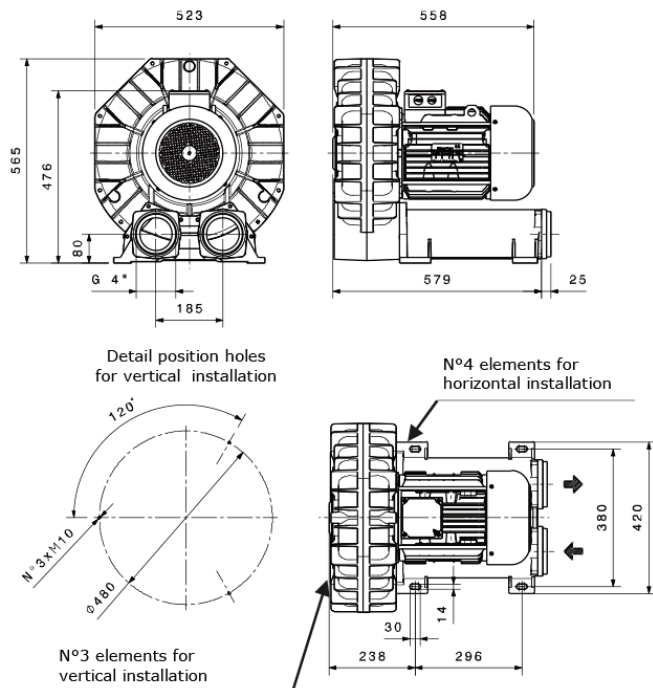
Technical Data for 50Hz - 2 poles - Three-Phase Motors (5)

Order Code	Maximum flow [m ³ /h]	Maximum Differential Pressure Δp [hPa]	Electric Motor data			Noise level Lp (3) [dB (A)]	Weight [kg]
			Installed Power [kW]	Voltage (2) Δ/Y [V]	Rated Amps Δ/Y [A]		
X2.42-7.5	420	-425	7,5	400/690	14,9 / 8,6	80,0	95
X2.42-9.2	420	-450	9,2	400/690	19,0 / 10,4	80,5	100

Performance Diagrams [50Hz] (1)



Overall Dimensions [mm] (4)



Notes:

- (1) Performance curves refer to operative conditions to air at 15°C temperature measured at inlet port and a pressure of 1013 hPa (abs) at outlet port. Tolerance on capacity and temperature values: +/-10%. 1 hPa = 1 mbar
- (2) Allowed tolerance for supplied voltage: +/-10%.
- (3) Noise measured at 1 meter distance in accordance to EN ISO 3744, tolerance: +/-3 dB (A).
- (4) Tolerance about dimensions according to: ISO 2768-c.
- (5) For use with frequencies different from 50Hz, refer to variable frequency table.

For proper installation and safe use of the blower it must be equipped with relief valve and air filter.
For further details ask for the Exhauster connection diagram.

Data subject to change without prior notice.

Tel: ++44(0)1297 529242
www.aircontrolindustries.com

Single stage Lateral Channel Blowers Compressor - 50Hz D1.140 SM



Main Features

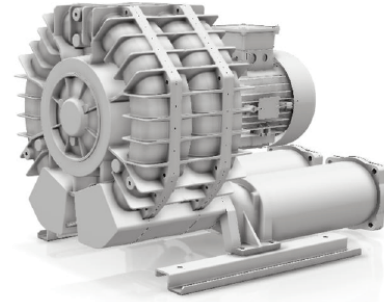
- Compliance with the ATEX Directive 94/9/EC
- Compliance with the Machinery Directive 2006/42/CE
- Maximum flow: 1363 m³/h
- Maximum Pressure: 325 mbar
- Aluminium alloy parts non sparking
- Motors ATEX Ex nA IIB T4 Gc with PTC sensor
- Suitable for horizontal and vertical installation (for Biogas application, only vertical)
- Inlet / Outlet ports: G 4"

For Biogas application (to be listed at order)

- Anodizing
- Impregnation
- Provision for pressure and temperature control sensors
- Drain holes
- Only vertical installation with No. 3 vibration dampers included (Refer to the doc: "Overall dimensions for Biogas application")

MARKING

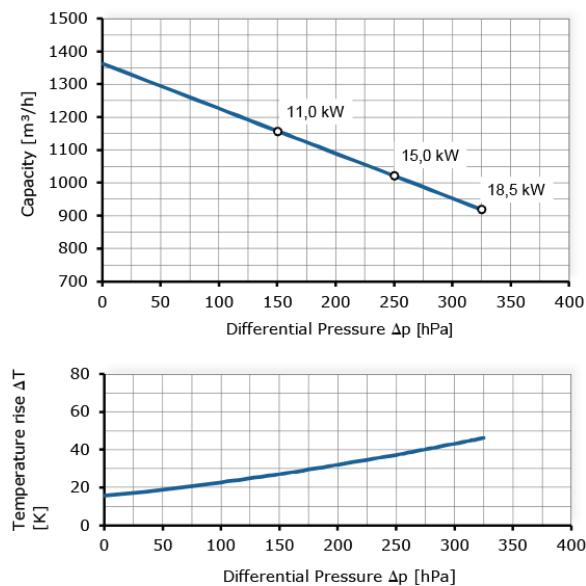
- Zone 2, Cat 3G (GAS)
 - II 3G c IIB T4
- Zone 22, Cat 3D (DUST)
 - II 3D c T135°C
- For Biogas application
 - Zone 2, Cat 3G (GAS)
 - II 3G cb IIB T3



Technical Data for 50Hz - 2 poles - Three-Phase Motors (5)

Order Code	Maximum flow [m ³ /h]	Maximum Differential Pressure Δp [hPa]	Electric Motor data			Noise level Lp (3) [dB (A)]	Weight [kg]
			Installed Power [kW]	Voltage (2) Δ/Y [V]	Rated Amps Δ/Y [A]		
D1.140-11.0	1363	150	11,0	400/690	21,5 / 12,4	86,0	150
D1.140-15.0	1363	250	15,0	400/690	29,2 / 16,9	86,5	153
D1.140-18.5	1363	325	18,5	400/690	34,8 / 20,1	87,0	174

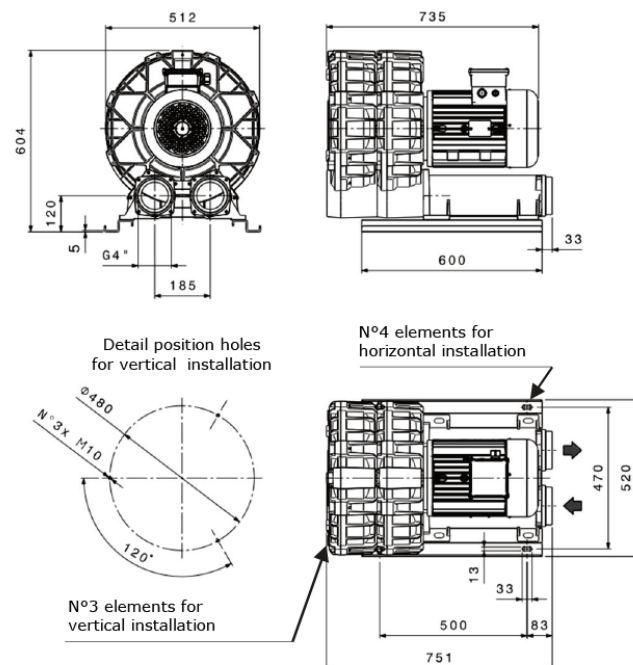
Performance Diagrams [50Hz] (1)



Notes:

- (1) Performance curves refer to operative conditions to air at 15°C temperature and 1013 hPa (abs) pressure measured at inlet port. Tolerance on capacity and temperature values: +/-10%. 1 hPa = 1 mbar.
- (2) Allowed tolerance for supplied voltage: +/-10%.
- (3) Noise measured at 1 meter distance in accordance to EN ISO 3744, tolerance: +/-3 dB (A).
- (4) Tolerance about dimensions according to: ISO 2768-c.
- (5) For use with frequencies different from 50Hz, refer to variable frequency table.

Overall Dimensions [mm] (4)



For proper installation and safe use of the blower it must be equipped with relief valve and air filter in accordance with 94/9/EC Atex Directive.
For further details ask for the Compressor connection diagram.

Single stage Lateral Channel Blowers Compressor - 50Hz D1.170 SM



Main Features

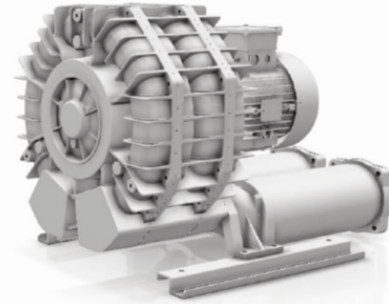
- Compliance with the ATEX Directive 94/9/EC
- Compliance with the Machinery Directive 2006/42/CE
- Maximum flow: 1615 m³/h
- Maximum Pressure: 275 mbar
- Aluminium alloy parts non sparking
- Motors ATEX Ex nA IIB T4 Gc with PTC sensor
- Suitable for horizontal and vertical installation (for Biogas application, only vertical)
- Inlet / Outlet ports: G 5"

For Biogas application (to be listed at order)

- Anodizing
- Impregnation
- Provision for pressure and temperature control sensors
- Drain holes
- Only vertical installation with No. 3 vibration dampers included (Refer to the doc: "Overall dimensions for Biogas application")

MARKING

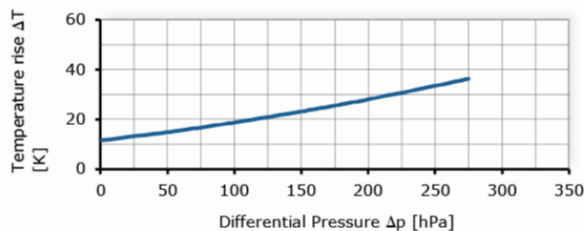
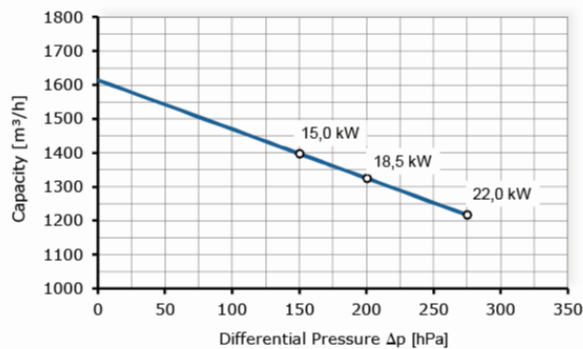
- Zone 2, Cat 3G (GAS)
 - II 3G c IIB T4
- Zone 22, Cat 3D (DUST)
 - II 3D c T135°C
- For Biogas application
 - Zone 2, Cat 3G (GAS)
 - II 3G cb IIB T3



Technical Data for 50Hz - 2 poles - Three-Phase Motors ⁽⁵⁾

Order Code	Maximum flow [m ³ /h]	Maximum Differential Pressure Δp [hPa]	Electric Motor data			Noise level Lp ⁽³⁾ [dB (A)]	Weight [kg]
			Installed Power [kW]	Voltage ⁽²⁾ Δ/Y [V]	Rated Amps Δ/Y [A]		
D1.170-15.0	1615	150	15,0	400/690	29,2 / 16,9	84,5	150
D1.170-18.5	1615	200	18,5	400/690	34,8 / 20,1	85,0	174
D1.170-22.0	1615	275	22,0	400/690	43,0 / 25,0	86,0	195

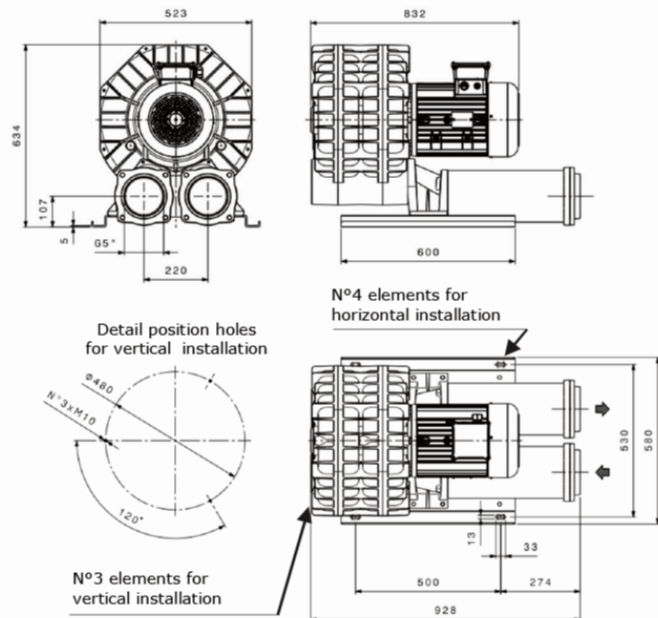
Performance Diagrams [50Hz] ⁽¹⁾



Notes:

- (1) Performance curves refer to operative conditions to air at 15°C temperature and 1013 hPa (abs) pressure measured at inlet port. Tolerance on capacity and temperature values: +/-10%. 1 hPa = 1 mbar
- (2) Allowed tolerance for supplied voltage: +/-10%.
- (3) Noise measured at 1 meter distance in accordance to EN ISO 3744, tolerance: +/-3 dB (A).
- (4) Tolerance about dimensions according to: ISO 2768-c.
- (5) For use with frequencies different from 50Hz, refer to variable frequency table.

Overall Dimensions [mm] ⁽⁴⁾



For proper installation and safe use of the blower it must be equipped with relief valve and air filter in accordance with 94/9/EC Atex Directive.
For further details ask for the Compressor connection diagram.

Single stage Lateral Channel Blowers Compressor - 50Hz X1.10 SM



Main Features

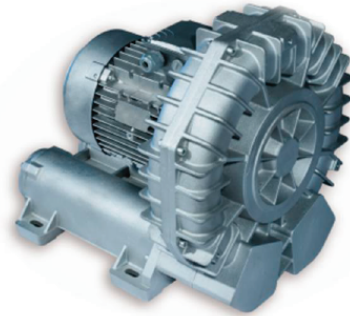
- Compliance with the ATEX Directive 94/9/EC
- Compliance with the Machinery Directive 2006/42/CE
- Maximum flow: 91 m³/h
- Maximum Pressure: 160 mbar
- Aluminium alloy parts non sparking
- Motors ATEX Ex nA IIB T4 Gc with PTC sensor
- Suitable for horizontal and vertical installation (for Biogas application, only vertical)
- Inlet / Outlet ports: G 1 1/4"

For Biogas application (to be listed at order)

- Anodizing
- Impregnation
- Provision for pressure and temperature control sensors
- Drain holes
- Only vertical installation with No. 3 vibration dampers included (Refer to the doc: "Overall dimensions for Biogas application")

MARKING

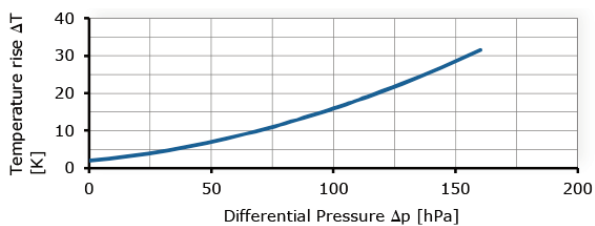
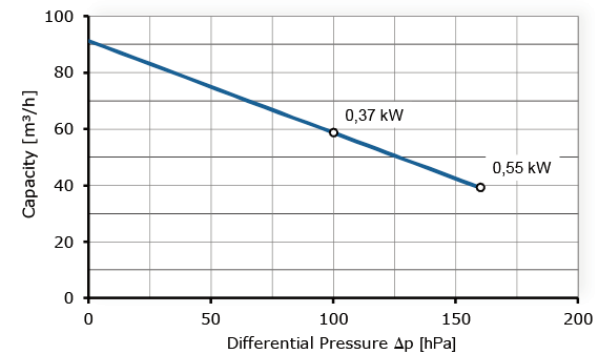
- **Zone 2, Cat 3G (GAS)**
 - II 3G c IIB T4
 - II 3G cb IIB T3
- **For Biogas application**
 - Zone 2, Cat 3G (GAS)**
 - II 3G cb IIB T3
- **Zone 22, Cat 3D (DUST)**
 - II 3D c T135°C



Technical Data for 50Hz - 2 poles - Three-Phase Motors ⁽⁵⁾

Order Code	Maximum flow [m ³ /h]	Maximum Differential Pressure Δp [hPa]	Electric Motor data			Noise level Lp ⁽³⁾ [dB (A)]	Weight [kg]
			Installed Power [kW]	Voltage ⁽²⁾ Δ/Y [V]	Rated Amps Δ/Y [A]		
X1.10-0.37	91	100	0,37	230/400	2,3 / 1,3	60,0	12
X1.10-0.55	91	160	0,55	230/400	3,3 / 1,9	60,5	13

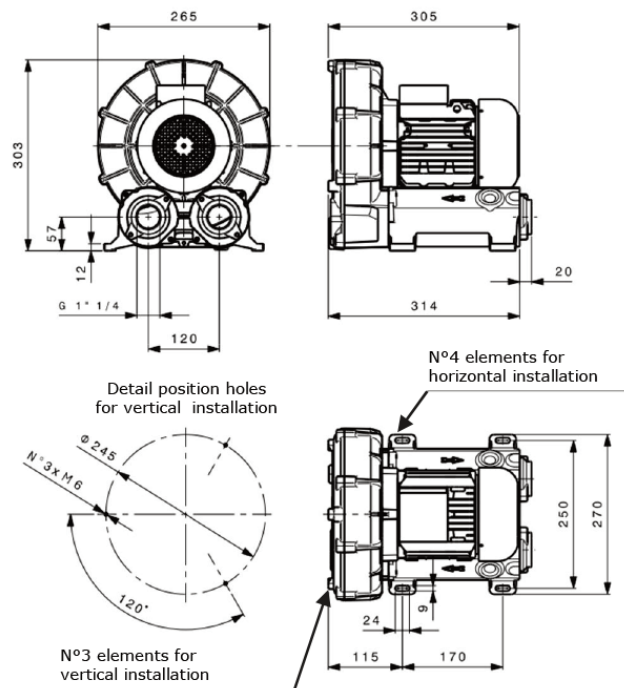
Performance Diagrams [50Hz] ⁽¹⁾



Notes:

- (1) Performance curves refer to operative conditions to air at 15°C temperature and 1013 hPa (abs) pressure measured at inlet port. Tolerance on capacity and temperature values: +/-10%. 1 hPa = 1 mbar
- (2) Allowed tolerance for supplied voltage: +/-10%.
- (3) Noise measured at 1 meter distance in accordance to EN ISO 3744, tolerance: +/-3 dB (A).
- (4) Tolerance about dimensions according to: ISO 2768-c.
- (5) For use with frequencies different from 50Hz, refer to variable frequency table.

Overall Dimensions [mm] ⁽⁴⁾



For proper installation and safe use of the blower it must be equipped with relief valve and air filter in accordance with 94/9/EC Atex Directive.
For further details ask for the Compressor connection diagram.

Single stage Lateral Channel Blowers Compressor - 50Hz X1.14 SM



Air Control Industries
Global Air Movement Specialists since 1969



Main Features

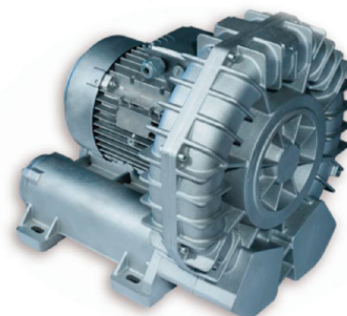
- Compliance with the ATEX Directive 94/9/EC
- Compliance with the Machinery Directive 2006/42/CE
- Maximum flow: 122 m³/h
- Maximum Pressure: 200 mbar
- Aluminium alloy parts non sparking
- Motors ATEX Ex nA IIB T4 Gc with PTC sensor
- Suitable for horizontal and vertical installation (for Biogas application, only vertical)
- Inlet / Outlet ports: G 1 1/2"

For Biogas application (to be listed at order)

- Anodizing
- Impregnation
- Provision for pressure and temperature control sensors
- Drain holes
- Only vertical installation with No. 3 vibration dampers included (Refer to the doc: "Overall dimensions for Biogas application")

MARKING

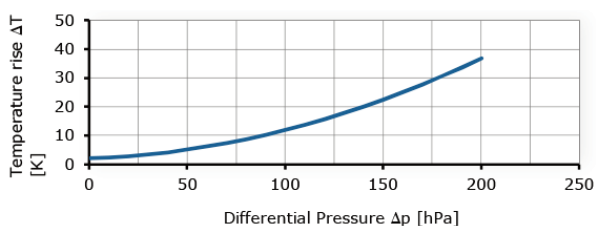
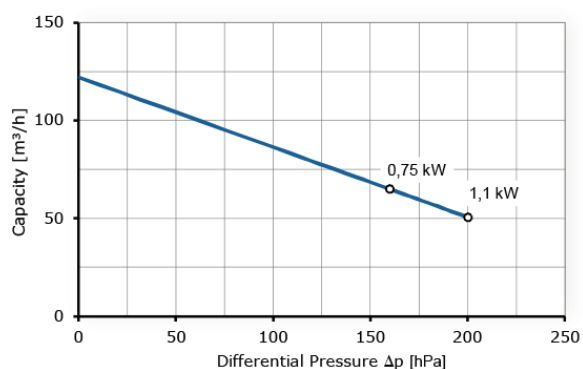
- Zone 2, Cat 3G (GAS)
 - CE II 3G c IIB T4
- Zone 22, Cat 3D (DUST)
 - CE II 3D c T135°C
- For Biogas application
 - Zone 2, Cat 3G (GAS)
 - CE II 3G cb IIB T3



Technical Data for 50Hz - 2 poles - Three-Phase Motors ⁽⁵⁾

Order Code	Maximum flow [m ³ /h]	Maximum Differential Pressure Δp [hPa]	Electric Motor data			Noise level Lp ⁽³⁾ [dB (A)]	Weight [kg]
			Installed Power [kW]	Voltage ⁽²⁾ ΔY [V]	Rated Amps ΔY [A]		
X1.14-0.75	122	160	0,75	230/400	3,1 / 1,8	65,0	18
X1.14-1.10	122	200	1,1	230/400	4,5 / 2,6	65,5	19

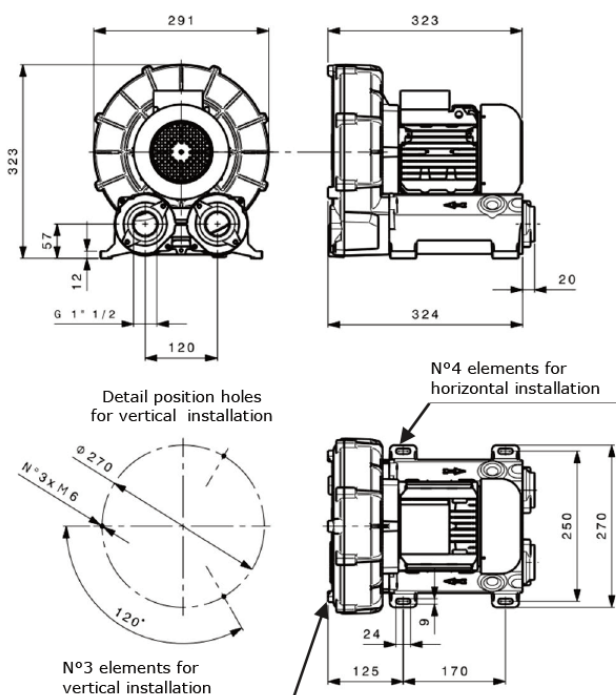
Performance Diagrams [50Hz] ⁽¹⁾



Notes:

- (1) Performance curves refer to operative conditions to air at 15°C temperature and 1013 hPa (abs) pressure measured at inlet port. Tolerance on capacity and temperature values: +/-10%. 1 hPa = 1 mbar
- (2) Allowed tolerance for supplied voltage: +/-10%.
- (3) Noise measured at 1 meter distance in accordance to EN ISO 3744, tolerance: +/-3 dB (A).
- (4) Tolerance about dimensions according to: ISO 2768-c.
- (5) For use with frequencies different from 50Hz, refer to variable frequency table.

Overall Dimensions [mm] ⁽⁴⁾



For proper installation and safe use of the blower it must be equipped with relief valve and air filter in accordance with 94/9/EC Atex Directive. For further details ask for the Compressor connection diagram.

Single stage Lateral Channel Blowers Compressor - 50Hz X1.20 SM



Main Features

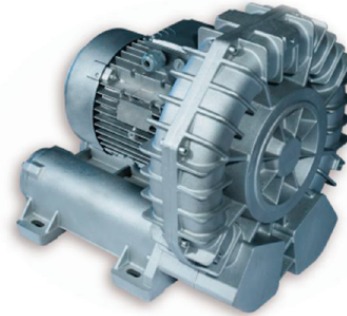
- Compliance with the ATEX Directive 94/9/EC
- Compliance with the Machinery Directive 2006/42/CE
- Maximum flow: 200 m³/h
- Maximum Pressure: 260 mbar
- Aluminium alloy parts non sparking
- Motors ATEX Ex nA IIB T4 Gc with PTC sensor
- Suitable for horizontal and vertical installation (for Biogas application, only vertical)
- Inlet / Outlet ports: G 2"

For Biogas application (to be listed at order)

- Anodizing
- Impregnation
- Provision for pressure and temperature control sensors
- Drain holes
- Only vertical installation with No. 3 vibration dampers included (Refer to the doc: "Overall dimensions for Biogas application")

MARKING

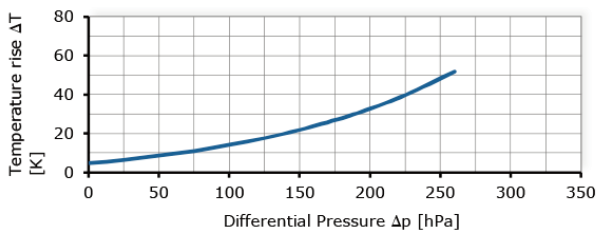
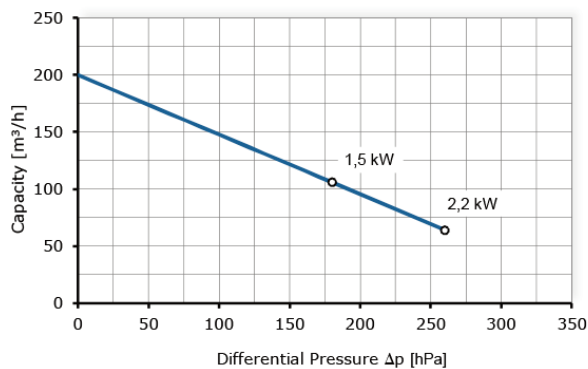
- Zone 2, Cat 3G (GAS)
 - CE II 3G c IIB T4
- Zone 22, Cat 3D (DUST)
 - CE II 3D c T135°C
- For Biogas application
 - Zone 2, Cat 3G (GAS)
 - CE II 3G cb IIB T3



Technical Data for 50Hz - 2 poles - Three-Phase Motors ⁽⁵⁾

Order Code	Maximum flow [m ³ /h]	Maximum Differential Pressure Δp [hPa]	Electric Motor data			Noise level Lp ⁽³⁾ [dB (A)]	Weight [kg]
			Installed Power [kW]	Voltage ⁽²⁾ Δ/Y [V]	Rated Amps Δ/Y [A]		
X1.20-1.5	200	180	1,5	230/400	6,6 / 3,8	67,5	23
X1.20-2.2	200	260	2,2	230/400	9,5 / 5,5	68,0	29

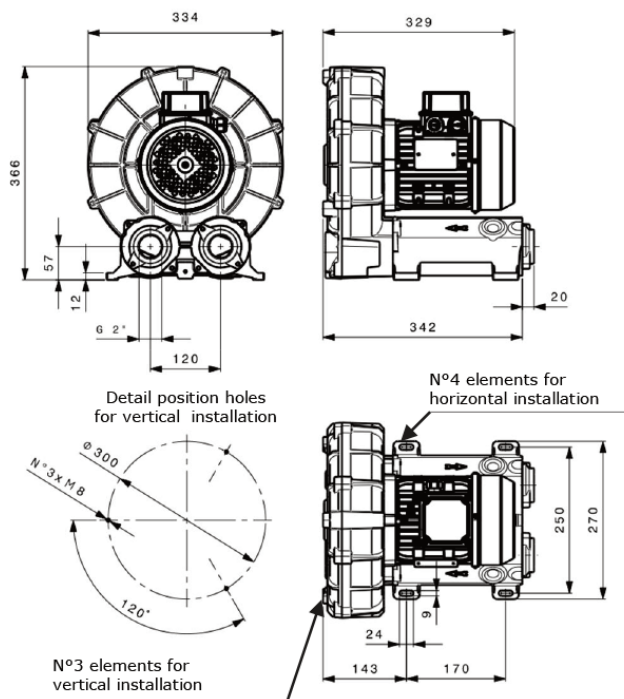
Performance Diagrams [50Hz] ⁽¹⁾



Notes:

- (1) Performance curves refer to operative conditions to air at 15°C temperature and 1013 hPa (abs) pressure measured at inlet port. Tolerance on capacity and temperature values: +/-10%. 1 hPa = 1 mbar
- (2) Allowed tolerance for supplied voltage: +/-10%.
- (3) Noise measured at 1 meter distance in accordance to EN ISO 3744, tolerance: +/-3 dB (A).
- (4) Tolerance about dimensions according to: ISO 2768-c.
- (5) For use with frequencies different from 50Hz, refer to variable frequency table.

Overall Dimensions [mm] ⁽⁴⁾



For proper installation and safe use of the blower it must be equipped with relief valve and air filter in accordance with 94/9/EC Atex Directive.
For further details ask for the Compressor connection diagram.

Single stage Lateral Channel Blowers Compressor - 50Hz X1.28 SM



Main Features

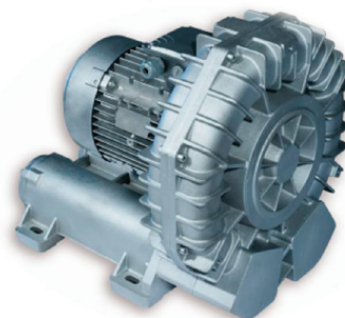
- Compliance with the ATEX Directive 94/9/EC
- Compliance with the Machinery Directive 2006/42/CE
- Maximum flow: 290 m³/h
- Maximum Pressure: 275 mbar
- Aluminium alloy parts non sparking
- Motors ATEX Ex nA IIB T4 Gc with PTC sensor
- Suitable for horizontal and vertical installation (for Biogas application, only vertical)
- Inlet / Outlet ports: G 2"

For Biogas application (to be listed at order)

- Anodizing
- Impregnation
- Provision for pressure and temperature control sensors
- Drain holes
- Only vertical installation with No. 3 vibration dampers included (Refer to the doc: "Overall dimensions for Biogas application")

MARKING

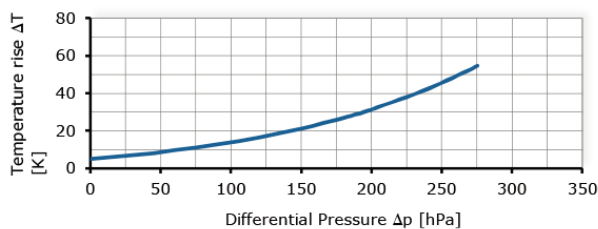
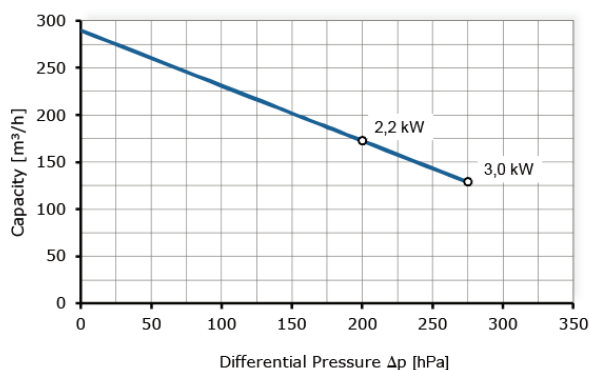
- Zone 2, Cat 3G (GAS)
 - II 3G c IIB T4
- For Biogas application
 - Zone 2, Cat 3G (GAS)
 - II 3G cb IIB T3
- Zone 22, Cat 3D (DUST)
 - II 3D c T135°C



Technical Data for 50Hz - 2 poles - Three-Phase Motors ⁽⁵⁾

Order Code	Maximum flow [m ³ /h]	Maximum Differential Pressure Δp [hPa]	Electric Motor data			Noise level Lp ⁽³⁾ [dB (A)]	Weight [kg]
			Installed Power [kW]	Voltage ⁽²⁾ Δ/Y [V]	Rated Amps Δ/Y [A]		
X1.28-2.2	290	200	2,2	230/400	9,5 / 5,5	67,5	30
X1.28-3.0	290	275	3,0	230/400	10,9 / 6,3	68,0	33

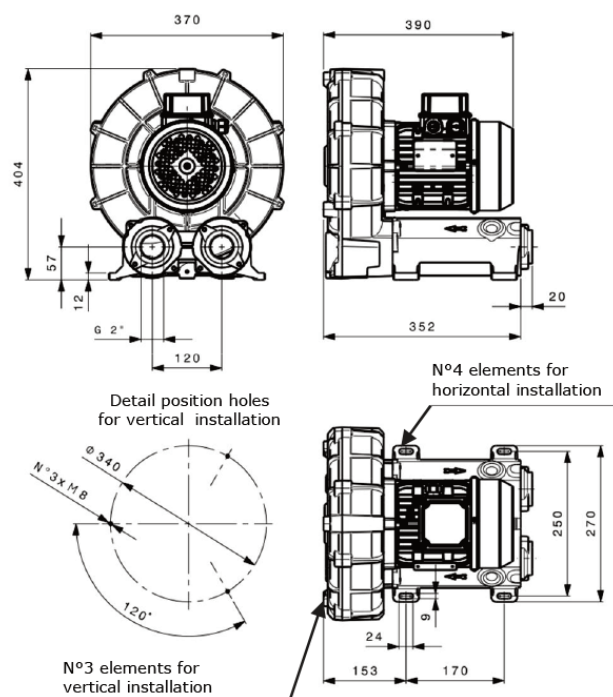
Performance Diagrams [50Hz] ⁽¹⁾



Notes:

- (1) Performance curves refer to operative conditions to air at 15°C temperature and 1013 hPa (abs) pressure measured at inlet port. Tolerance on capacity and temperature values: +/-10%. 1 hPa = 1 mbar
- (2) Allowed tolerance for supplied voltage: +/-10%.
- (3) Noise measured at 1 meter distance in accordance to EN ISO 3744, tolerance: +/-3 dB (A).
- (4) Tolerance about dimensions according to: ISO 2768-c.
- (5) For use with frequencies different from 50Hz, refer to variable frequency table.

Overall Dimensions [mm] ⁽⁴⁾



For proper installation and safe use of the blower it must be equipped with relief valve and air filter in accordance with 94/9/EC ATEX Directive.
For further details ask for the Compressor connection diagram.

Single stage Lateral Channel Blowers Compressor - 50Hz X1.40 SM



Main Features

- Compliance with the ATEX Directive 94/9/EC
- Compliance with the Machinery Directive 2006/42/CE
- Maximum flow: 420 m³/h
- Maximum Pressure: 350 mbar
- Aluminium alloy parts non sparking
- Motors ATEX Ex nA IIB T4 Gc with PTC sensor
- Suitable for horizontal and vertical installation (for Biogas application, only vertical)
- Inlet / Outlet ports: G 3"

For Biogas application (to be listed at order)

- Anodizing
- Impregnation
- Provision for pressure and temperature control sensors
- Drain holes
- Only vertical installation with No. 3 vibration dampers included (Refer to the doc: "Overall dimensions for Biogas application")

MARKING

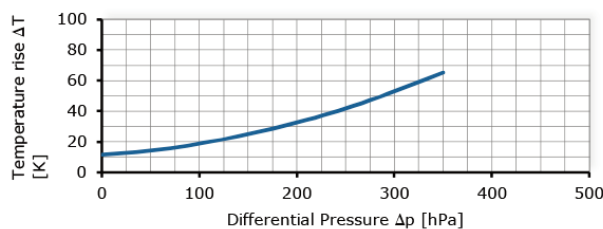
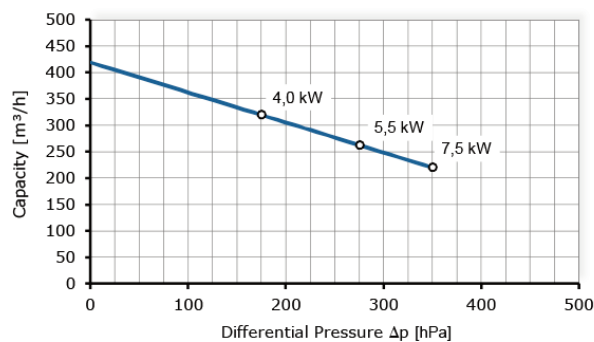
- **Zone 2, Cat 3G (GAS)**
 - II 3G c IIB T4
- **Zone 22, Cat 3D (DUST)**
 - II 3D c T135°C
- **For Biogas application**
 - Zone 2, Cat 3G (GAS)**
 - II 3G cb IIB T3



Technical Data for 50Hz - 2 poles - Three-Phase Motors (5)

Order Code	Maximum flow [m ³ /h]	Maximum Differential Pressure Δp [hPa]	Electric Motor data			Noise level Lp (3) [dB (A)]	Weight [kg]
			Installed Power [kW]	Voltage (2) Δ/Y [V]	Rated Amps Δ/Y [A]		
X1.40-4.0	420	175	4,0	230/400	15,7 / 9,1	75,0	55
X1.40-5.5	420	275	5,5	400/690	11,5 / 6,6	75,5	64
X1.40-7.5	420	350	7,5	400/690	15,6 / 9,0	76,0	68

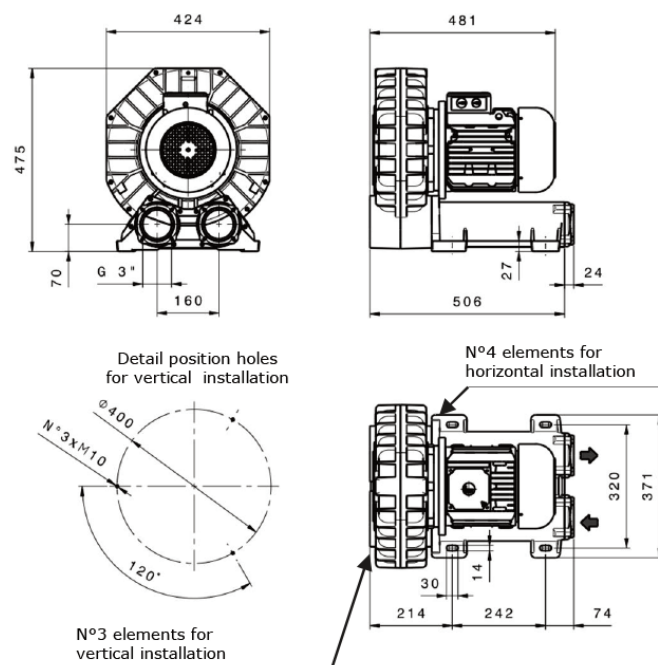
Performance Diagrams [50Hz] (1)



Notes:

- (1) Performance curves refer to operative conditions to air at 15°C temperature and 1013 hPa (abs) pressure measured at inlet port. Tolerance on capacity and temperature values: +/-10%. 1 hPa = 1 mbar
- (2) Allowed tolerance for supplied voltage: +/-10%
- (3) Noise measured at 1 meter distance in accordance to EN ISO 3744, tolerance: +/-3 dB (A).
- (4) Tolerance about dimensions according to: ISO 2768-c.
- (5) For use with frequencies different from 50Hz, refer to variable frequency table.

Overall Dimensions [mm] (4)



For proper installation and safe use of the blower it must be equipped with relief valve and air filter in accordance with 94/9/EC Atex Directive.
For further details ask for the Compressor connection diagram.

Single stage Lateral Channel Blowers Compressor - 50Hz X1.50 SM



Main Features

- Compliance with the ATEX Directive 94/9/EC
- Compliance with the Machinery Directive 2006/42/CE
- Maximum flow: 517 m³/h
- Maximum Pressure: 400 mbar
- Aluminium alloy parts non sparking
- Motors ATEX Ex nA IIB T4 Gc with PTC sensor
- Suitable for horizontal and vertical installation (for Biogas application, only vertical)
- Inlet / Outlet ports: G 3"

For Biogas application (to be listed at order)

- Anodizing
- Impregnation
- Provision for pressure and temperature control sensors
- Drain holes
- Only vertical installation with No. 3 vibration dampers included (Refer to the doc: "Overall dimensions for Biogas application")

MARKING

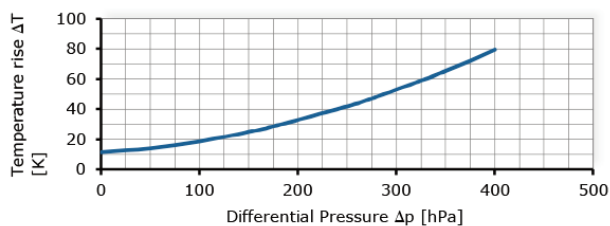
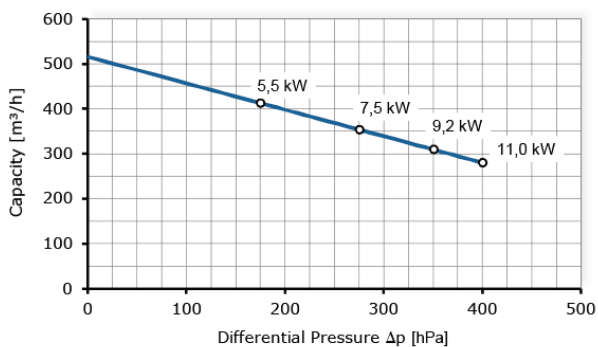
- Zone 2, Cat 3G (GAS)
 - CE II 3G c IIB T4
- Zone 22, Cat 3D (DUST)
 - CE II 3D c T135°C
- For Biogas application
 - Zone 2, Cat 3G (GAS)
 - CE II 3G cb IIB T3



Technical Data for 50Hz - 2 poles - Three-Phase Motors ⁽⁵⁾

Order Code	Maximum flow [m ³ /h]	Maximum Differential Pressure Δp [hPa]	Electric Motor data			Noise level Lp ⁽³⁾ [dB (A)]	Weight [kg]
			Installed Power [kW]	Voltage ⁽²⁾ Δ/Y [V]	Rated Amps Δ/Y [A]		
X1.50-5.5	517	175	5,5	400/690	11,5 / 6,6	76,0	57
X1.50-7.5	517	275	7,5	400/690	15,6 / 9,0	77,0	66
X1.50-9.2	517	350	9,2	400/690	18,0 / 10,4	78,0	72
X1.50-11.0	517	400	11,0	400/690	21,5 / 12,4	79,0	74

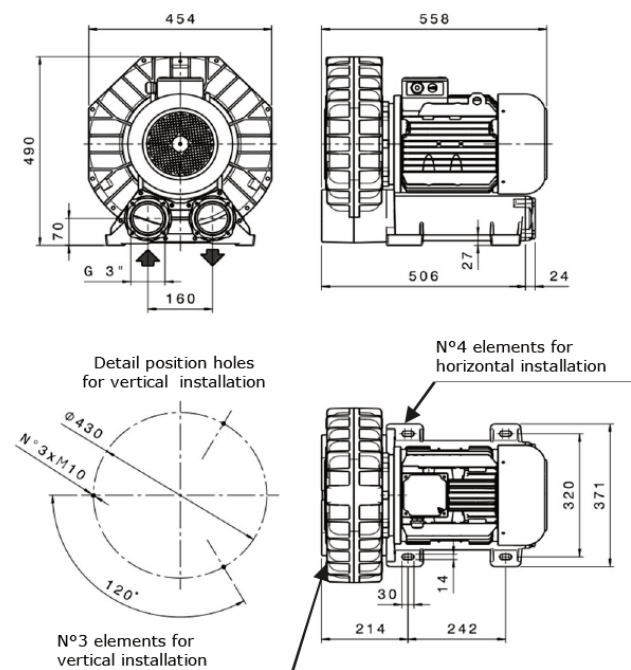
Performance Diagrams [50Hz] ⁽¹⁾



Notes:

- (1) Performance curves refer to operative conditions to air at 15°C temperature and 1013 hPa (abs) pressure measured at inlet port. Tolerance on capacity and temperature values: +/-10%. 1 hPa = 1 mbar
- (2) Allowed tolerance for supplied voltage: +/-10%.
- (3) Noise measured at 1 meter distance in accordance to EN ISO 3744, tolerance: +/-3 dB (A).
- (4) Tolerance about dimensions according to: ISO 2768-c.
- (5) For use with frequencies different from 50Hz, refer to variable frequency table.

Overall Dimensions [mm] ⁽⁴⁾



For proper installation and safe use of the blower it must be equipped with relief valve and air filter in accordance with 94/9/EC Atex Directive.
For further details ask for the Compressor connection diagram.

Single stage Lateral Channel Blowers Compressor - 50Hz X1.70 SM



Main Features

- Compliance with the ATEX Directive 94/9/EC
- Compliance with the Machinery Directive 2006/42/CE
- Maximum flow: 717 m³/h
- Maximum Pressure: 400 mbar
- Aluminium alloy parts non sparking
- Motors ATEX Ex nA IIB T4 Gc with PTC sensor
- Suitable for horizontal and vertical installation (for Biogas application, only vertical)
- Inlet / Outlet ports: G 4"

For Biogas application (to be listed at order)

- Anodizing
- Impregnation
- Provision for pressure and temperature control sensors
- Drain holes
- Only vertical installation with No. 3 vibration dampers included (Refer to the doc: "Overall dimensions for Biogas application")

MARKING

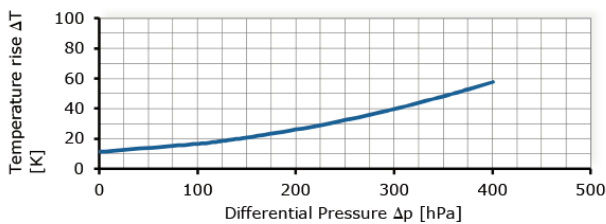
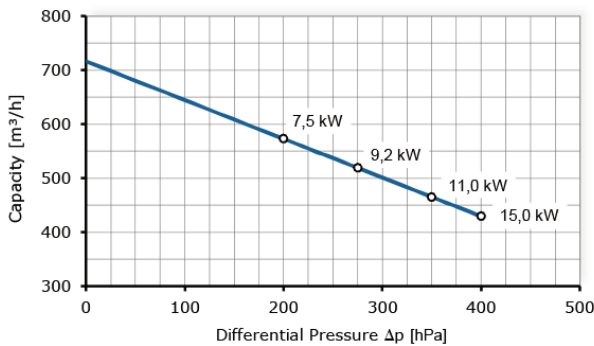
- Zone 2, Cat 3G (GAS)
 - II 3G c IIB T4
- Zone 22, Cat 3D (DUST)
 - II 3D c T135°C
- For Biogas application
 - Zone 2, Cat 3G (GAS)
 - II 3G cb IIB T3



Technical Data for 50Hz - 2 poles - Three-Phase Motors ⁽⁵⁾

Order Code	Maximum flow [m ³ /h]	Maximum Differential Pressure Δp [hPa]	Electric Motor data			Noise level Lp ⁽³⁾ [dB (A)]	Weight [kg]
			Installed Power [kW]	Voltage ⁽²⁾ Δ/Y [V]	Rated Amps Δ/Y [A]		
X1.70-7.5	717	200	7,5	400/690	15,6 / 9,0	80,0	76
X1.70-9.2	717	275	9,2	400/690	18,0 / 10,4	80,5	97
X1.70-11.0	717	350	11,0	400/690	21,5 / 12,4	81,0	99
X1.70-15.0	717	400	15,0	400/690	29,2 / 16,9	81,5	102

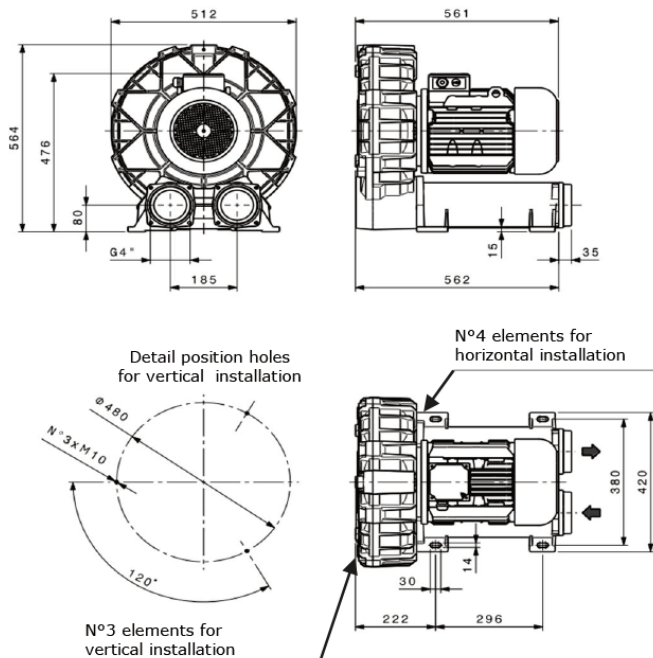
Performance Diagrams [50Hz] ⁽¹⁾



Notes:

- (1) Performance curves refer to operative conditions to air at 15°C temperature and 1013 hPa (abs) pressure measured at inlet port. Tolerance on capacity and temperature values: +/-10%. 1 hPa = 1 mbar
- (2) Allowed tolerance for supplied voltage: +/-10%.
- (3) Noise measured at 1 meter distance in accordance to EN ISO 3744, tolerance: +/-3 dB (A).
- (4) Tolerance about dimensions according to: ISO 2768-c.
- (5) For use with frequencies different from 50Hz, refer to variable frequency table.

Overall Dimensions [mm] ⁽⁴⁾



For proper installation and safe use of the blower it must be equipped with relief valve and air filter in accordance with 94/9/EC Atex Directive.
For further details ask for the Compressor connection diagram.

Single stage Lateral Channel Blowers Compressor - 50Hz X1.85 SM



Main Features

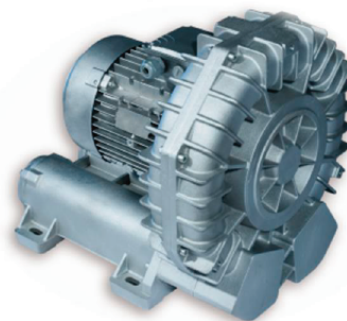
- Compliance with the ATEX Directive 94/9/EC
- Compliance with the Machinery Directive 2006/42/CE
 - Maximum flow: 850 m³/h
 - Maximum Pressure: 450 mbar
 - Aluminium alloy parts non sparking
 - Motors ATEX Ex nA IIB T4 Gc with PTC sensor
 - Suitable for horizontal and vertical installation (for Biogas application, only vertical)
 - Inlet / Outlet ports: G 4"

For Biogas application (to be listed at order)

- Anodizing
- Impregnation
- Provision for pressure and temperature control sensors
- Drain holes
- Only vertical installation with No. 3 vibration dampers included (Refer to the doc: "Overall dimensions for Biogas application")

MARKING

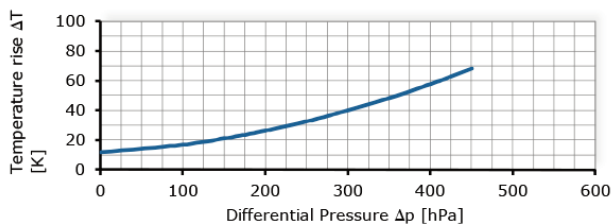
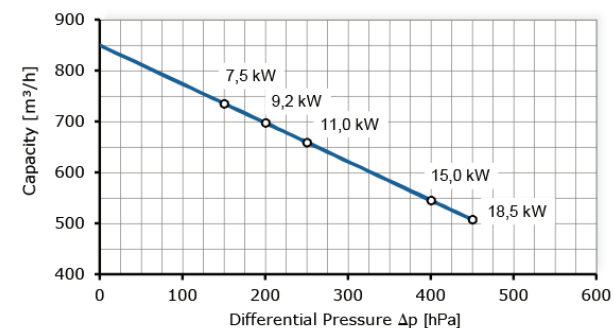
- Zone 2, Cat 3G (GAS)
 - II 3G c IIB T4
- Zone 22, Cat 3D (DUST)
 - II 3D c T135°C
- For Biogas application
 - Zone 2, Cat 3G (GAS)
 - II 3G cb IIB T3



Technical Data for 50Hz - 2 poles - Three-Phase Motors ⁽⁵⁾

Order Code	Maximum flow [m ³ /h]	Maximum Differential Pressure Δp [hPa]	Electric Motor data			Noise level Lp ⁽³⁾ [dB (A)]	Weight [kg]
			Installed Power [kW]	Voltage ⁽²⁾ Δ/Y [V]	Rated Amps Δ/Y [A]		
X1.85-7.5	850	150	7,5	400/690	14,9 / 8,6	80,5	94
X1.85-9.2	850	200	9,2	400/690	18,0 / 10,4	81,0	99
X1.85-11.0	850	250	11,0	400/690	21,5 / 12,4	81,5	101
X1.85-15.0	850	400	15,0	400/690	29,2 / 16,9	82,0	104
X1.85-18.5	850	450	18,5	400/690	34,8 / 20,1	82,5	125

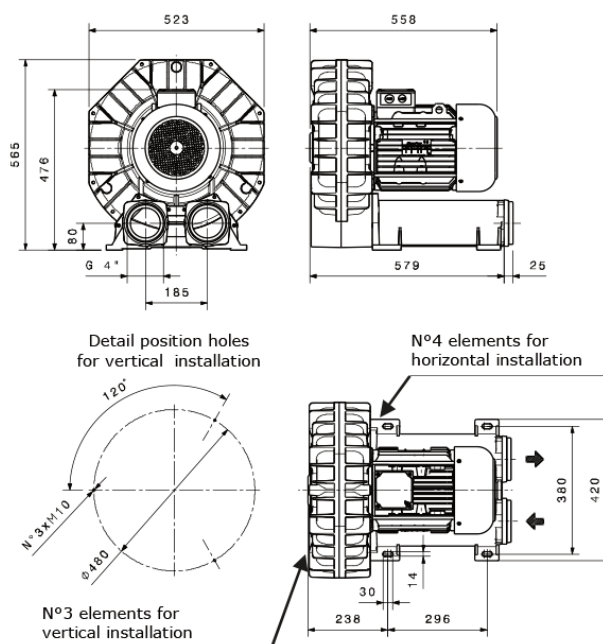
Performance Diagrams [50Hz] ⁽¹⁾



Notes:

- (1) Performance curves refer to operative conditions to air at 15°C temperature and 1013 hPa (abs) pressure measured at inlet port. Tolerance on capacity and temperature values: +/-10%. 1 hPa = 1 mbar.
- (2) Allowed tolerance for supplied voltage: +/-10%.
- (3) Noise measured at 1 meter distance in accordance to EN ISO 3744, tolerance: +/-3 dB (A).
- (4) Tolerance about dimensions according to: ISO 2768-c.
- (5) For use with frequencies different from 50Hz, refer to variable frequency table.

Overall Dimensions [mm] ⁽⁴⁾



For proper installation and safe use of the blower it must be equipped with relief valve and air filter in accordance with 94/9/EC Atex Directive.
For further details ask for the Compressor connection diagram.

Double stage Lateral Channel Blowers Compressor - 50Hz X2.05 SM



Main Features

- Compliance with the ATEX Directive 94/9/EC
- Compliance with the Machinery Directive 2006/42/CE
 - Maximum flow: 52 m³/h
 - Maximum Pressure: 275 mbar
 - Aluminium alloy parts non sparking
 - Motors ATEX Ex nA IIB T4 Gc with PTC sensor
 - Suitable for horizontal and vertical installation (for Biogas application, only vertical)
 - Inlet / Outlet ports: G 1 1/4"

For Biogas application (to be listed at order)

- Anodizing
- Impregnation
- Provision for pressure and temperature control sensors
- Drain holes
- Only vertical installation with No. 3 vibration dampers included (Refer to the doc: "Overall dimensions for Biogas application")

MARKING

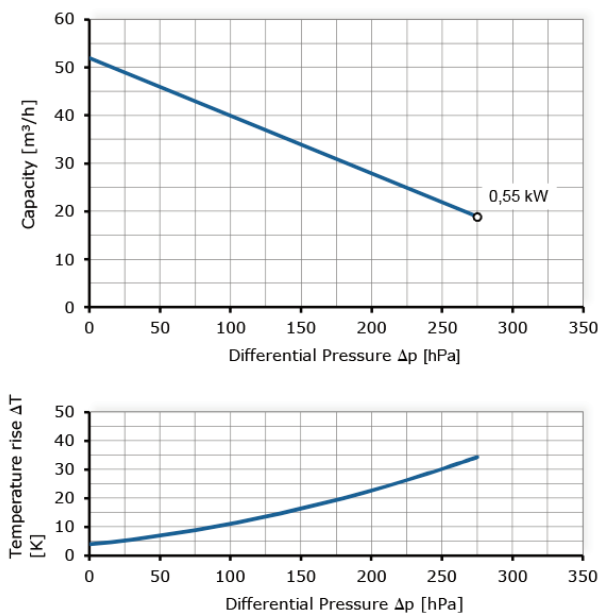
- Zone 2, Cat 3G (GAS)
 - II 3G c IIB T4
- Zone 22, Cat 3D (DUST)
 - II 3D c T135°C
- For Biogas application
 - Zone 2, Cat 3G (GAS)
 - II 3G cb IIB T3



Technical Data for 50Hz - 2 poles - Three-Phase Motors ⁽⁵⁾

Order Code	Maximum flow [m ³ /h]	Maximum Differential Pressure Δp [hPa]	Electric Motor data			Noise level Lp ⁽³⁾ [dB (A)]	Weight [kg]
			Installed Power [kW]	Voltage ⁽²⁾ Δ/Y [V]	Rated Amps Δ/Y [A]		
X2.05-0.55	52	275	0,55	230/400	2,9 / 1,7	60,0	13

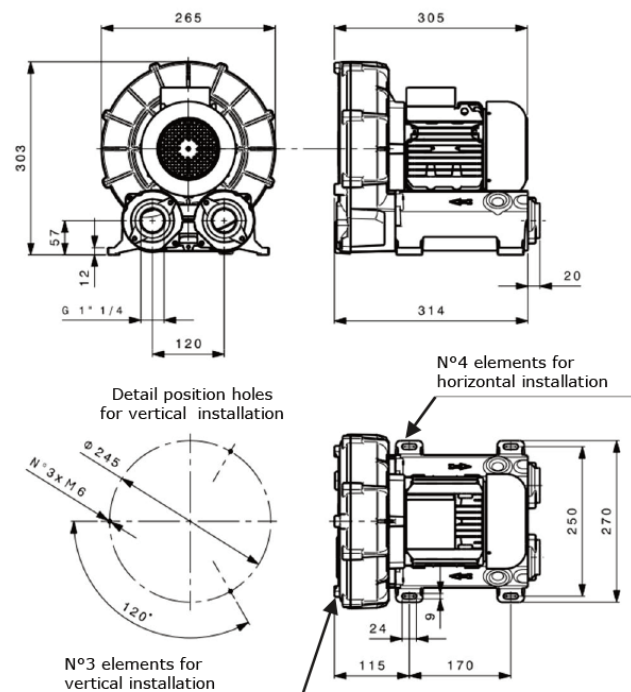
Performance Diagrams [50Hz] ⁽¹⁾



Notes:

- (1) Performance curves refer to operative conditions to air at 15°C temperature and 1013 hPa (abs) pressure measured at inlet port. Tolerance on capacity and temperature values: +/-10%. 1 hPa = 1 mbar
- (2) Allowed tolerance for supplied voltage: +/-10%.
- (3) Noise measured at 1 meter distance in accordance to EN ISO 3744, tolerance: +/-3 dB (A).
- (4) Tolerance about dimensions according to: ISO 2768-c.
- (5) For use with frequencies different from 50Hz, refer to variable frequency table.

Overall Dimensions [mm] ⁽⁴⁾



For proper installation and safe use of the blower it must be equipped with relief valve and air filter in accordance with 94/9/EC Atex Directive.
For further details ask for the Compressor connection diagram.

Double stage Lateral Channel Blowers Compressor - 50Hz X2.07 SM



Main Features

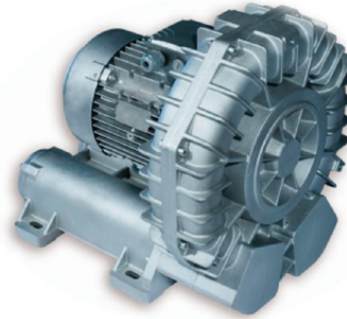
- Compliance with the ATEX Directive 94/9/EC
- Compliance with the Machinery Directive 2006/42/CE
 - Maximum flow: 68 m³/h
 - Maximum Pressure: 350 mbar
 - Aluminium alloy parts non sparking
 - Motors ATEX Ex nA IIB T4 Gc with PTC sensor
 - Suitable for horizontal and vertical installation (for Biogas application, only vertical)
 - Inlet / Outlet ports: G 1 1/4"

For Biogas application (to be listed at order)

- Anodizing
- Impregnation
- Provision for pressure and temperature control sensors
- Drain holes
- Only vertical installation with No. 3 vibration dampers included (Refer to the doc: "Overall dimensions for Biogas application")

MARKING

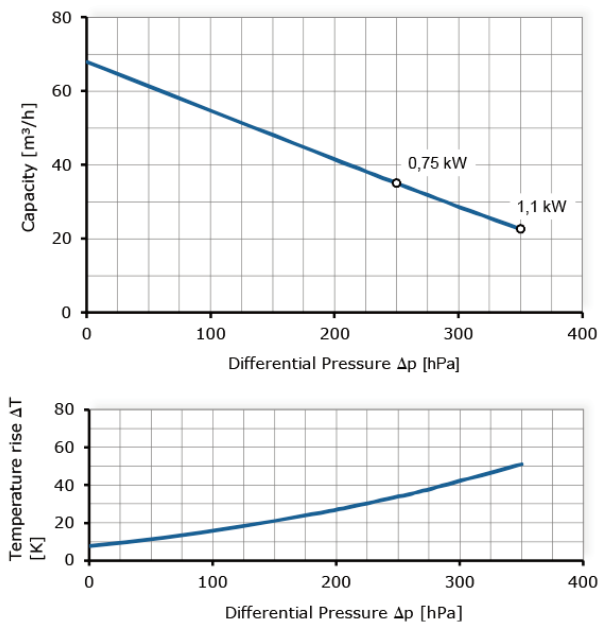
- Zone 2, Cat 3G (GAS)
 - II 3G c IIB T4
- Zone 22, Cat 3D (DUST)
 - II 3D c T135°C
- For Biogas application
 - Zone 2, Cat 3G (GAS)
 - II 3G cb IIB T3



Technical Data for 50Hz - 2 poles - Three-Phase Motors ⁽⁵⁾

Order Code	Maximum flow [m ³ /h]	Maximum Differential Pressure Δp [hPa]	Electric Motor data			Noise level Lp ⁽³⁾ [dB (A)]	Weight [kg]
			Installed Power [kW]	Voltage ⁽²⁾ Δ/Y [V]	Rated Amps Δ/Y [A]		
X2.07-0.75	68	250	0,75	230/400	3,1 / 1,8	64,5	18
X2.07-1.10	68	350	1,1	230/400	4,5 / 2,6	65,0	19

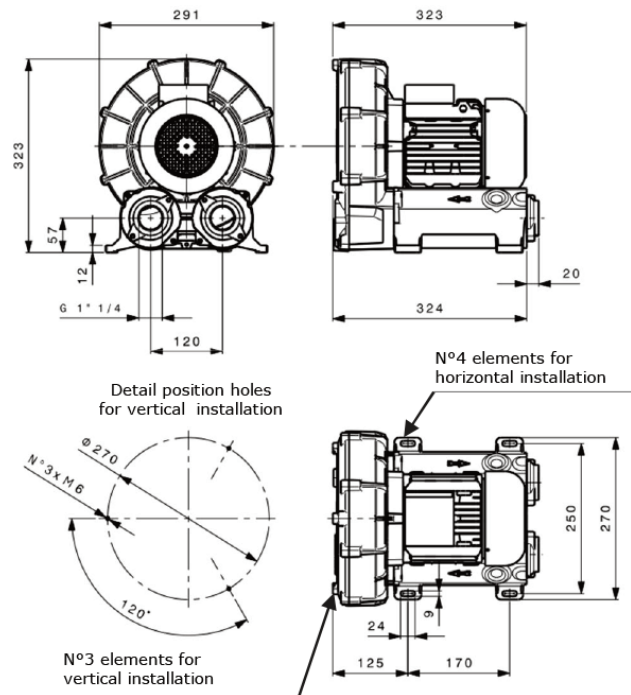
Performance Diagrams [50Hz] ⁽¹⁾



Notes:

- (1) Performance curves refer to operative conditions to air at 15°C temperature and 1013 hPa (abs) pressure measured at inlet port. Tolerance on capacity and temperature values: +/-10%. 1 hPa = 1 mbar
- (2) Allowed tolerance for supplied voltage: +/-10%.
- (3) Noise measured at 1 meter distance in accordance to EN ISO 3744, tolerance: +/-3 dB (A).
- (4) Tolerance about dimensions according to: ISO 2768-c.
- (5) For use with frequencies different from 50Hz, refer to variable frequency table.

Overall Dimensions [mm] ⁽⁴⁾



For proper installation and safe use of the blower it must be equipped with relief valve and air filter in accordance with 94/9/EC ATEX Directive.
For further details ask for the Compressor connection diagram.

Double stage Lateral Channel Blowers Compressor - 50Hz X2.10 SM



Main Features

- Compliance with the ATEX Directive 94/9/EC
- Compliance with the Machinery Directive 2006/42/CE
- Maximum flow: 96 m³/h
- Maximum Pressure: 375 mbar
- Aluminium alloy parts non sparking
- Motors ATEX Ex nA IIB T4 Gc with PTC sensor
- Suitable for horizontal and vertical installation (for Biogas application, only vertical)
- Inlet / Outlet ports: G 1 1/4"

For Biogas application (to be listed at order)

- Anodizing
- Impregnation
- Provision for pressure and temperature control sensors
- Drain holes
- Only vertical installation with No. 3 vibration dampers included (Refer to the doc: "Overall dimensions for Biogas application")

MARKING

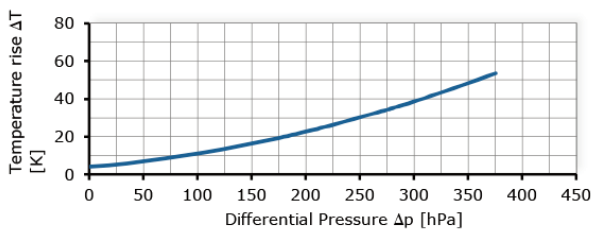
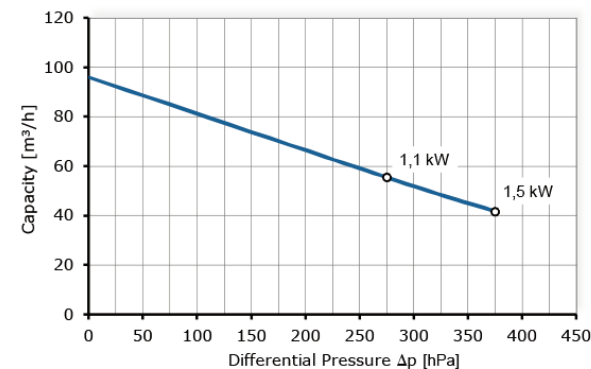
- Zone 2, Cat 3G (GAS)
 - II 3G c IIB T4
- Zone 22, Cat 3D (DUST)
 - II 3D c T135°C
- For Biogas application
 - Zone 2, Cat 3G (GAS)
 - II 3G cb IIB T3



Technical Data for 50Hz - 2 poles - Three-Phase Motors ⁽⁵⁾

Order Code	Maximum flow [m ³ /h]	Maximum Differential Pressure Δp [hPa]	Electric Motor data			Noise level Lp ⁽³⁾ [dB (A)]	Weight [kg]
			Installed Power [kW]	Voltage ⁽²⁾ Δ/Y [V]	Rated Amps Δ/Y [A]		
X2.10-1.1	96	275	1,1	230/400	4,5 / 2,6	65,5	21
X2.10-1.5	96	375	1,5	230/400	6,1 / 3,5	66,0	23

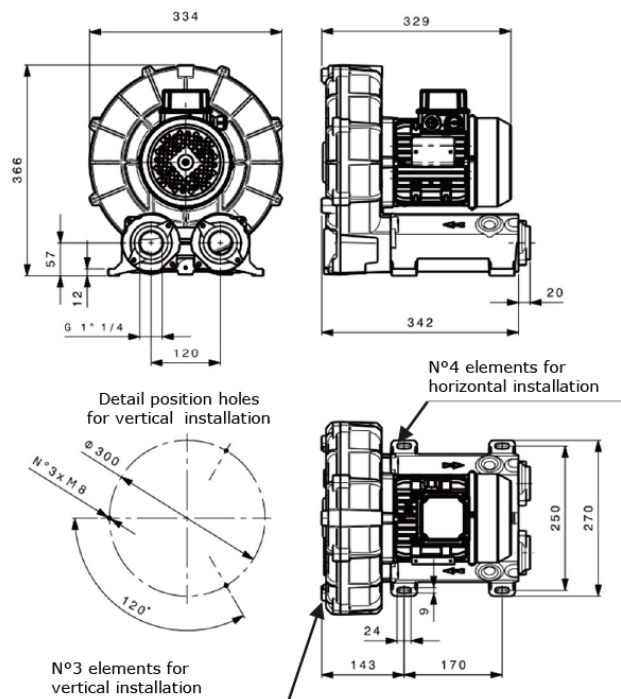
Performance Diagrams [50Hz] ⁽¹⁾



Notes:

- (1) Performance curves refer to operative conditions to air at 15°C temperature and 1013 hPa (abs) pressure measured at inlet port. Tolerance on capacity and temperature values: +/-10%. 1 hPa = 1 mbar
- (2) Allowed tolerance for supplied voltage: +/-10%.
- (3) Noise measured at 1 meter distance in accordance to EN ISO 3744, tolerance: +/-3 dB (A).
- (4) Tolerance about dimensions according to: ISO 2768-c.
- (5) For use with frequencies different from 50Hz, refer to variable frequency table.

Overall Dimensions [mm] ⁽⁴⁾



For proper installation and safe use of the blower it must be equipped with relief valve and air filter in accordance with 94/9/EC Atex Directive.
For further details ask for the Compressor connection diagram.

Double stage Lateral Channel Blowers Compressor - 50Hz X2.14 SM



Main Features

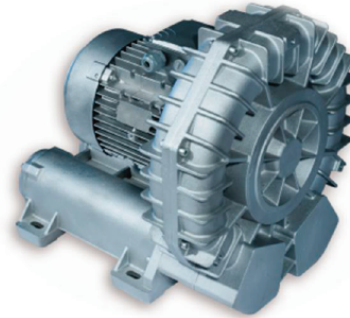
- Compliance with the ATEX Directive 94/9/EC
- Compliance with the Machinery Directive 2006/42/CE
- Maximum flow: 135 m³/h
- Maximum Pressure: 425 mbar
- Aluminium alloy parts non sparking
- Motors ATEX Ex nA IIB T4 Gc with PTC sensor
- Suitable for horizontal and vertical installation (for Biogas application, only vertical)
- Inlet / Outlet ports: G 1 1/2"

For Biogas application (to be listed at order)

- Anodizing
- Impregnation
- Provision for pressure and temperature control sensors
- Drain holes
- Only vertical installation with No. 3 vibration dampers included (Refer to the doc: "Overall dimensions for Biogas application")

MARKING

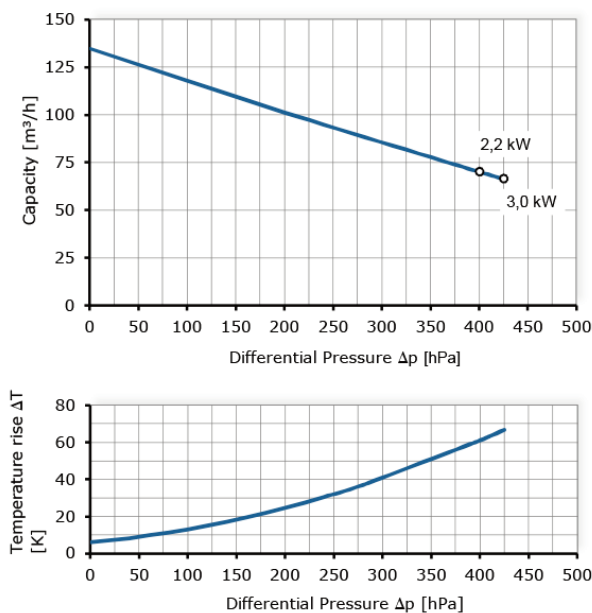
- Zone 2, Cat 3G (GAS)
 - II 3G c IIB T4
- Zone 22, Cat 3D (DUST)
 - II 3D c T135°C
- For Biogas application
 - Zone 2, Cat 3G (GAS)
 - II 3G cb IIB T3



Technical Data for 50Hz - 2 poles - Three-Phase Motors ⁽⁵⁾

Order Code	Maximum flow [m ³ /h]	Maximum Differential Pressure Δp [hPa]	Electric Motor data			Noise level Lp ⁽³⁾ [dB (A)]	Weight [kg]
			Installed Power [kW]	Voltage ⁽²⁾ Δ/Y [V]	Rated Amps Δ/Y [A]		
X2.14-2.2	135	400	2,2	230/400	9,4 / 5,4	66,5	30
X2.14-3.0	135	425	3,0	230/400	11,8 / 6,8	67,0	33

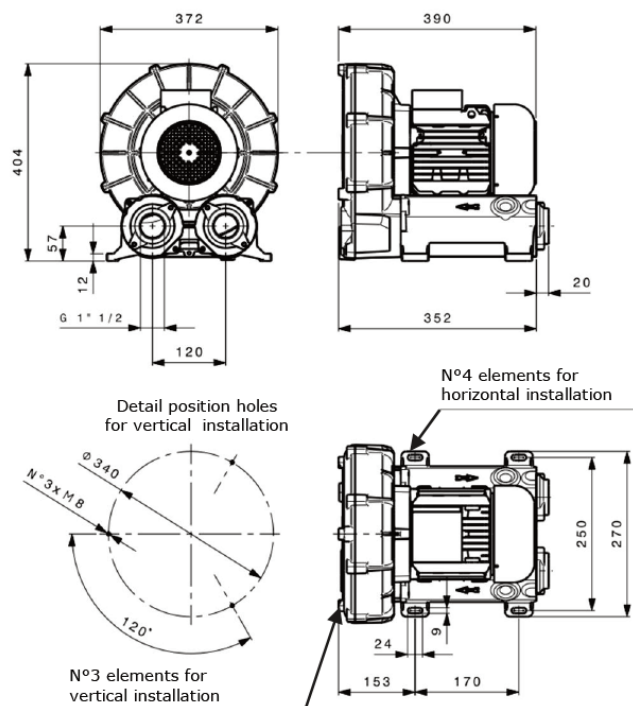
Performance Diagrams [50Hz] ⁽¹⁾



Notes:

- (1) Performance curves refer to operative conditions to air at 15°C temperature and 1013 hPa (abs) pressure measured at inlet port. Tolerance on capacity and temperature values: +/-10%. 1 hPa = 1 mbar
- (2) Allowed tolerance for supplied voltage: +/-10%.
- (3) Noise measured at 1 meter distance in accordance to EN ISO 3744, tolerance: +/-3 dB (A).
- (4) Tolerance about dimensions according to: ISO 2768-c.
- (5) For use with frequencies different from 50Hz, refer to variable frequency table.

Overall Dimensions [mm] ⁽⁴⁾



For proper installation and safe use of the blower it must be equipped with relief valve and air filter in accordance with 94/9/EC Atex Directive.
For further details ask for the Compressor connection diagram.

Double stage Lateral Channel Blowers Compressor - 50Hz X2.20 SM



Main Features

- Compliance with the ATEX Directive 94/9/EC
- Compliance with the Machinery Directive 2006/42/CE
- Maximum flow: 203 m³/h
- Maximum Pressure: 450 mbar
- Aluminium alloy parts non sparking
- Motors ATEX Ex nA IIB T4 Gc with PTC sensor
- Suitable for horizontal and vertical installation (for Biogas application, only vertical)
- Inlet / Outlet ports: G 3"

For Biogas application (to be listed at order)

- Anodizing
- Impregnation
- Provision for pressure and temperature control sensors
- Drain holes
- Only vertical installation with No. 3 vibration dampers included (Refer to the doc: "Overall dimensions for Biogas application")

MARKING

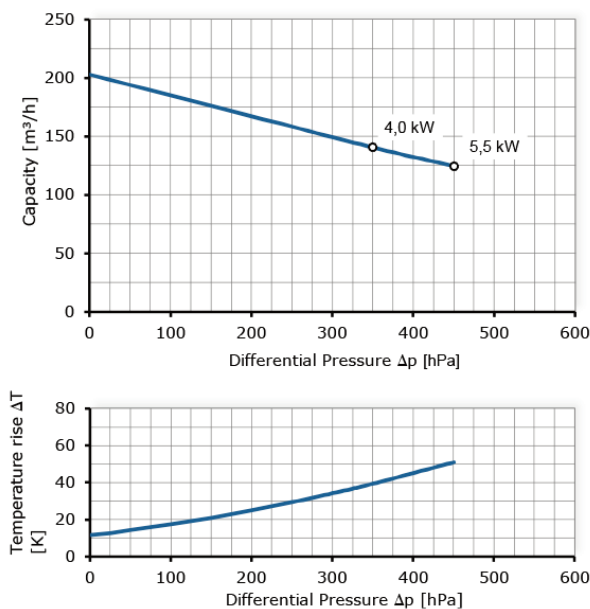
- Zone 2, Cat 3G (GAS)
 - II 3G c IIB T4
- Zone 22, Cat 3D (DUST)
 - II 3D c T135°C
- For Biogas application
 - Zone 2, Cat 3G (GAS)
 - II 3G cb IIB T3



Technical Data for 50Hz - 2 poles - Three-Phase Motors ⁽⁵⁾

Order Code	Maximum flow [m ³ /h]	Maximum Differential Pressure Δp [hPa]	Electric Motor data			Noise level Lp ⁽³⁾ [dB (A)]	Weight [kg]
			Installed Power [kW]	Voltage ⁽²⁾ Δ/Y [V]	Rated Amps Δ/Y [A]		
X2.20-4.0	203	350	4,0	400/690	9,1 / 5,3	73,5	56
X2.20-5.5	203	450	5,5	400/690	11,5 / 6,6	74,0	65

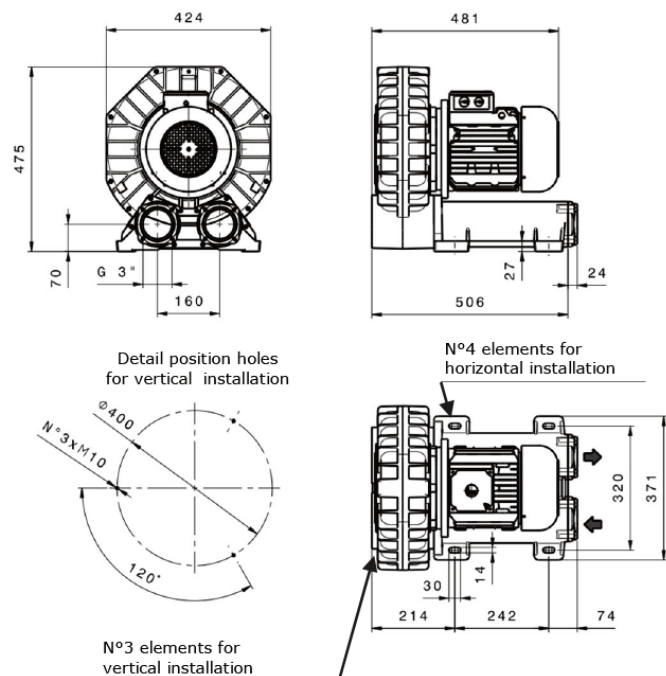
Performance Diagrams [50Hz] ⁽¹⁾



Notes:

- (1) Performance curves refer to operative conditions to air at 15°C temperature and 1013 hPa (abs) pressure measured at inlet port. Tolerance on capacity and temperature values: +/-10%. 1 hPa = 1 mbar
- (2) Allowed tolerance for supplied voltage: +/-10%.
- (3) Noise measured at 1 meter distance in accordance to EN ISO 3744, tolerance: +/-3 dB (A).
- (4) Tolerance about dimensions according to: ISO 2768-c.
- (5) For use with frequencies different from 50Hz, refer to variable frequency table.

Overall Dimensions [mm] ⁽⁴⁾



For proper installation and safe use of the blower it must be equipped with relief valve and air filter in accordance with 94/9/EC Atex Directive.
For further details ask for the Compressor connection diagram.

Double stage Lateral Channel Blowers Compressor - 50Hz X2.25 SM



Main Features

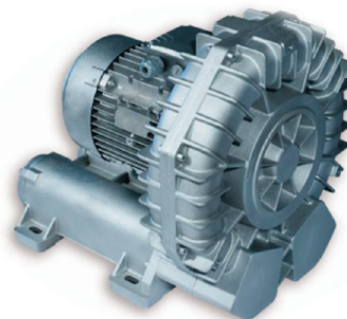
- Compliance with the ATEX Directive 94/9/EC
- Compliance with the Machinery Directive 2006/42/CE
 - Maximum flow: 255 m³/h
 - Maximum Pressure: 500 mbar
 - Aluminium alloy parts non sparking
 - Motors ATEX Ex nA IIB T4 Gc with PTC sensor
 - Suitable for horizontal and vertical installation (for Biogas application, only vertical)
 - Inlet / Outlet ports: G 3"

For Biogas application (to be listed at order)

- Anodizing
- Impregnation
- Provision for pressure and temperature control sensors
- Drain holes
- Only vertical installation with No. 3 vibration dampers included (Refer to the doc: "Overall dimensions for Biogas application")

MARKING

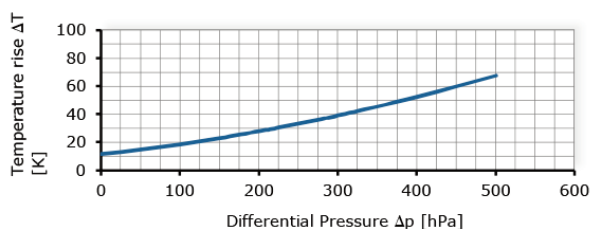
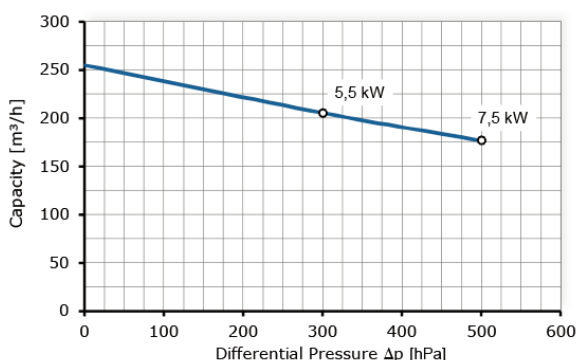
- **Zone 2, Cat 3G (GAS)**
 - II 3G c IIB T4
- **For Biogas application**
 - Zone 2, Cat 3G (GAS)**
 - II 3G cb IIB T3
- **Zone 22, Cat 3D (DUST)**
 - II 3D c T135°C



Technical Data for 50Hz - 2 poles - Three-Phase Motors ⁽⁵⁾

Order Code	Maximum flow [m ³ /h]	Maximum Differential Pressure Δp [hPa]	Electric Motor data			Noise level Lp ⁽³⁾ [dB (A)]	Weight [kg]
			Installed Power [kW]	Voltage ⁽²⁾ Δ/Y [V]	Rated Amps Δ/Y [A]		
X2.25-5.5	255	300	5,5	400/690	11,5 / 6,6	74,0	65
X2.25-7.5	255	500	7,5	400/690	14,9 / 8,6	74,0	65

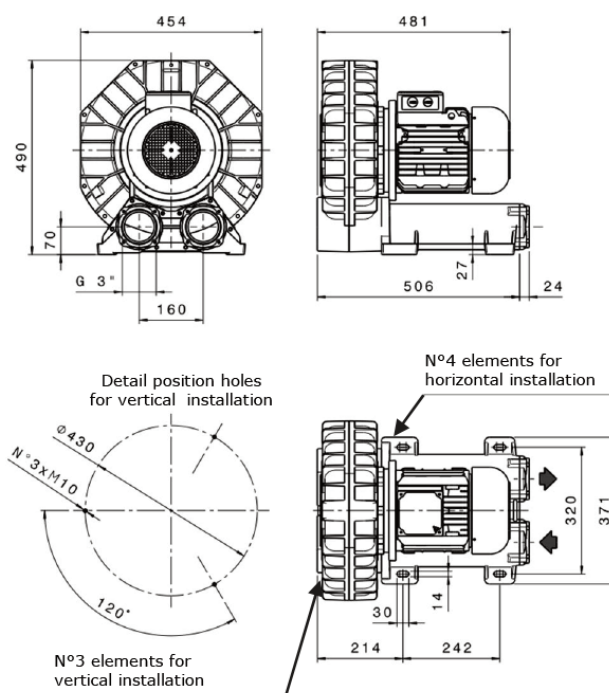
Performance Diagrams [50Hz] ⁽¹⁾



Notes:

- (1) Performance curves refer to operative conditions to air at 15°C temperature and 1013 hPa (abs) pressure measured at inlet port. Tolerance on capacity and temperature values: +/-10%. 1 hPa = 1 mbar
- (2) Allowed tolerance for supplied voltage: +/-10%
- (3) Noise measured at 1 meter distance in accordance to EN ISO 3744, tolerance: +/-3 dB (A).
- (4) Tolerance about dimensions according to: ISO 2768-c.
- (5) For use with frequencies different from 50Hz, refer to variable frequency table.

Overall Dimensions [mm] ⁽⁴⁾



For proper installation and safe use of the blower it must be equipped with relief valve and air filter in accordance with 94/9/EC Atex Directive.
For further details ask for the Compressor connection diagram.

Double stage Lateral Channel Blowers Compressor - 50Hz X2.35 SM



Main Features

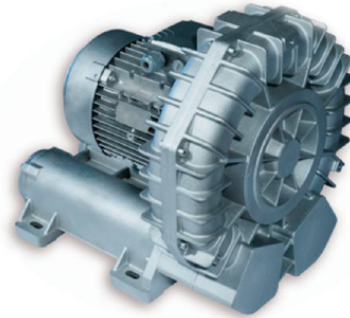
- Compliance with the ATEX Directive 94/9/EC
- Compliance with the Machinery Directive 2006/42/CE
- Maximum flow: 354 m³/h
- Maximum Pressure: 550 mbar
- Aluminium alloy parts non sparking
- Motors ATEX Ex nA IIB T4 Gc with PTC sensor
- Suitable for horizontal and vertical installation (for Biogas application, only vertical)
- Inlet / Outlet ports: G 4"

For Biogas application (to be listed at order)

- Anodizing
- Impregnation
- Provision for pressure and temperature control sensors
- Drain holes
- Only vertical installation with No. 3 vibration dampers included (Refer to the doc: "Overall dimensions for Biogas application")

MARKING

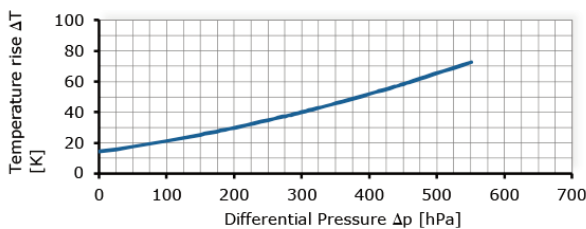
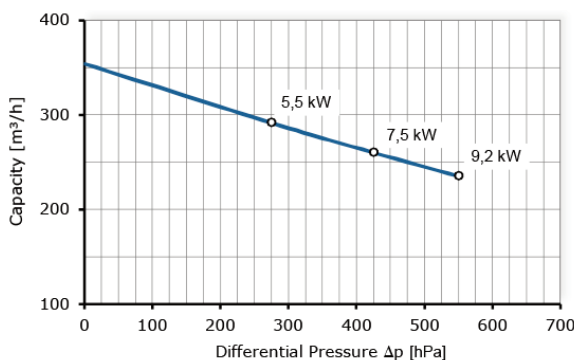
- Zone 2, Cat 3G (GAS)
 - II 3G c IIB T4
- Zone 22, Cat 3D (DUST)
 - II 3D c T135°C
- For Biogas application
 - Zone 2, Cat 3G (GAS)
 - II 3G cb IIB T3



Technical Data for 50Hz - 2 poles - Three-Phase Motors ⁽⁵⁾

Order Code	Maximum flow [m ³ /h]	Maximum Differential Pressure Δp [hPa]	Electric Motor data			Noise level Lp ⁽³⁾ [dB (A)]	Weight [kg]
			Installed Power [kW]	Voltage ⁽²⁾ Δ/Y [V]	Rated Amps Δ/Y [A]		
X2.35-5.5	354	275	5,5	400/690	11,5 / 6,6	80,5	72
X2.35-7.5	354	425	7,5	400/690	14,9 / 8,6	81,0	77
X2.35-9.2	354	550	9,2	400/690	18,0 / 10,4	81,5	98

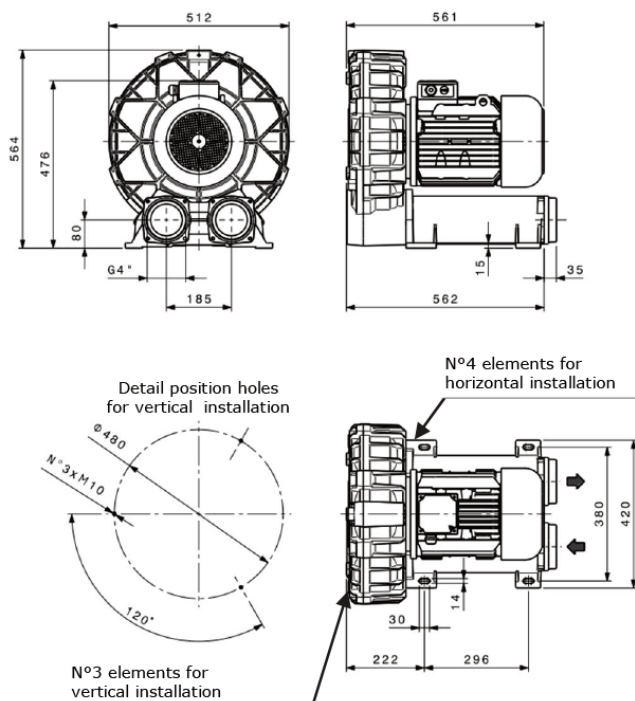
Performance Diagrams [50Hz] ⁽¹⁾



Notes:

- (1) Performance curves refer to operative conditions to air at 15°C temperature and 1013 hPa (abs) pressure measured at inlet port. Tolerance on capacity and temperature values: +/-10%. 1 hPa = 1 mbar
- (2) Allowed tolerance for supplied voltage: +/-10%.
- (3) Noise measured at 1 meter distance in accordance to EN ISO 3744, tolerance: +/-3 dB (A).
- (4) Tolerance about dimensions according to: ISO 2768-c.
- (5) For use with frequencies different from 50Hz, refer to variable frequency table.

Overall Dimensions [mm] ⁽⁴⁾



For proper installation and safe use of the blower it must be equipped with relief valve and air filter in accordance with 94/9/EC Atex Directive.
For further details ask for the Compressor connection diagram.

Double stage Lateral Channel Blowers Compressor - 50Hz X2.42 SM



- | | | |
|---|--|---|
| <p>Main Features</p> <ul style="list-style-type: none"> Compliance with the ATEX Directive 94/9/EC Compliance with the Machinery Directive 2006/42/CE - Maximum flow: 420 m³/h - Maximum Pressure: 600 mbar - Aluminium alloy parts non sparking - Motors ATEX Ex nA IIB T4 Gc with PTC sensor - Suitable for horizontal and vertical installation (for Biogas application, only vertical) - Inlet / Outlet ports: G 4" | <p>MARKING</p> <ul style="list-style-type: none"> • Zone 2, Cat 3G (GAS) <ul style="list-style-type: none"> II 3G c IIB T4 • Zone 22, Cat 3D (DUST) <ul style="list-style-type: none"> II 3D c T135°C | <ul style="list-style-type: none"> • For Biogas application <ul style="list-style-type: none"> Zone 2, Cat 3G (GAS) <ul style="list-style-type: none"> II 3G cb IIB T3 |
|---|--|---|

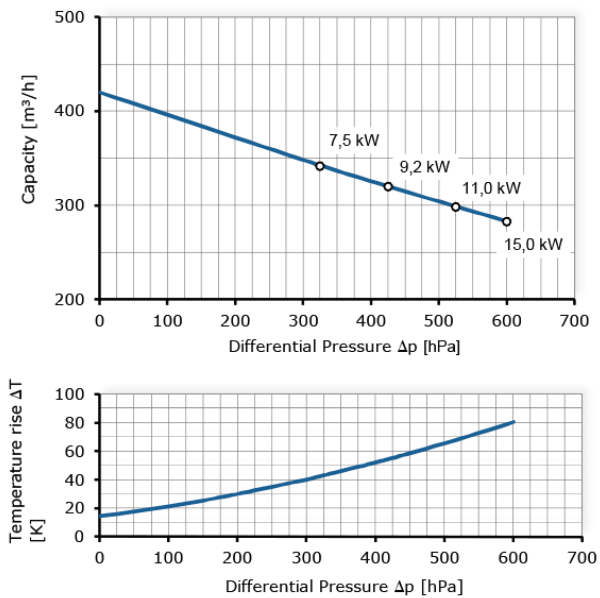
- For Biogas application** (to be listed at order)
- Anodizing
 - Impregnation
 - Provision for pressure and temperature control sensors
 - Drain holes
 - Only vertical installation with No. 3 vibration dampers included (Refer to the doc: "Overall dimensions for Biogas application")



Technical Data for 50Hz - 2 poles - Three-Phase Motors [5]

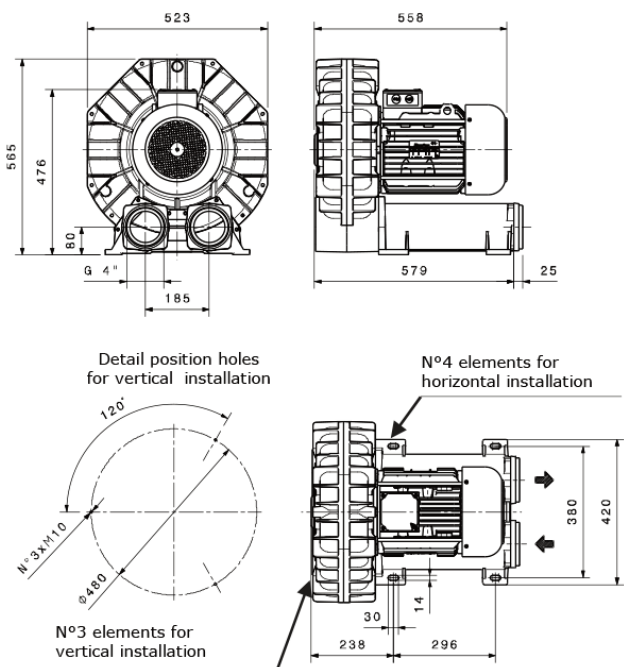
Order Code	Maximum flow [m ³ /h]	Maximum Differential Pressure Δp [hPa]	Electric Motor data			Noise level Lp [3] [dB (A)]	Weight [kg]
			Installed Power [kW]	Voltage [2] ΔY [V]	Rated Amps ΔY [A]		
X2.42-7.5	420	325	7,5	400/690	14,9 / 8,6	79,5	95
X2.42-9.2	420	425	9,2	400/690	17,6 / 13,1	80,0	100
X2.42-11.0	420	525	11,0	400/690	20,5 / 11,9	80,5	102
X2.42-15.0	420	600	15,0	400/690	29,2 / 16,9	81,0	105

Performance Diagrams [50Hz] [1]



- Notes:
- (1) Performance curves refer to operative conditions to air at 15°C temperature and 1013 hPa (abs) pressure measured at inlet port. Tolerance on capacity and temperature values: +/-10%. 1 hPa = 1 mbar
 - (2) Allowed tolerance for supplied voltage: +/-10%.
 - (3) Noise measured at 1 meter distance in accordance to EN ISO 3744, tolerance: +/-3 dB (A).
 - (4) Tolerance about dimensions according to: ISO 2768-c.
 - (5) For use with frequencies different from 50Hz, refer to variable frequency table.

Overall Dimensions [mm] [4]



For proper installation and safe use of the blower it must be equipped with relief valve and air filter in accordance with 94/9/EC Atex Directive.
For further details ask for the Compressor connection diagram.