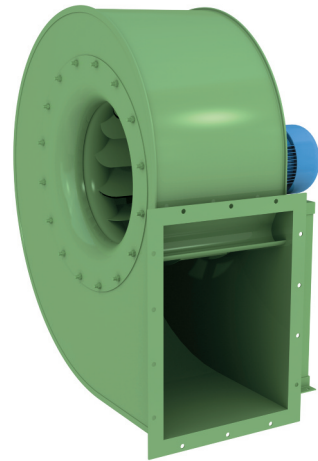


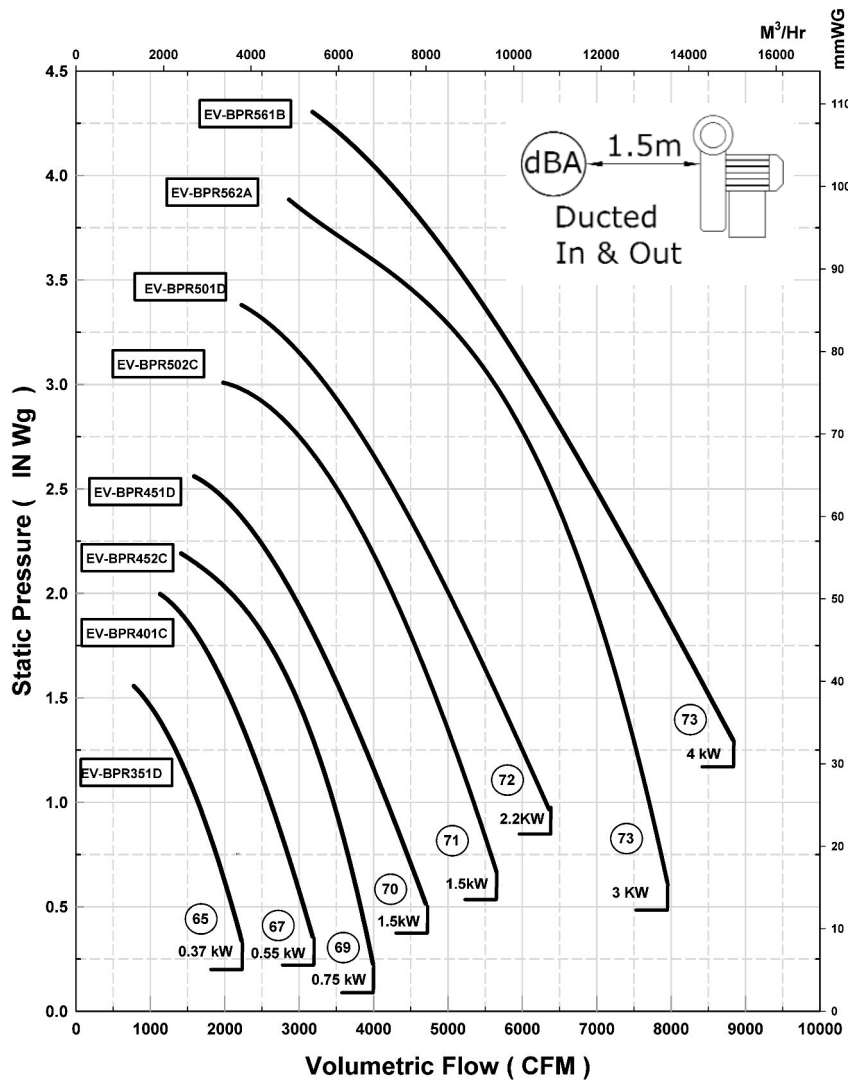
EV Radial Bladed Blowers

BPR 4 Pole Series (BPR351D-561B)

Performance curves - inlet / discharge side
Curve illustrated is for 4 pole (1450 RPM)



Low-pressure centrifugal fan / High efficiency and low-noise reverse blade impeller / Directly coupled motor



Optional Extras Include:

- Control Valves
- Inlet & Outlet Flexible Connectors
- Anti-vibration mountings
- Non Return Valves

Please note:

Pascal = (In.SWG x 249)
M³/Hr = (CFM x 1.699)

Noise level tolerances +3dB(A)

Description:

Low-pressure centrifugal fan. High efficiency and low-noise reverse blade impeller. Directly coupled motor.

Use:

This series of blowers are particularly suitable for aspiration of clean and slightly dusty air.

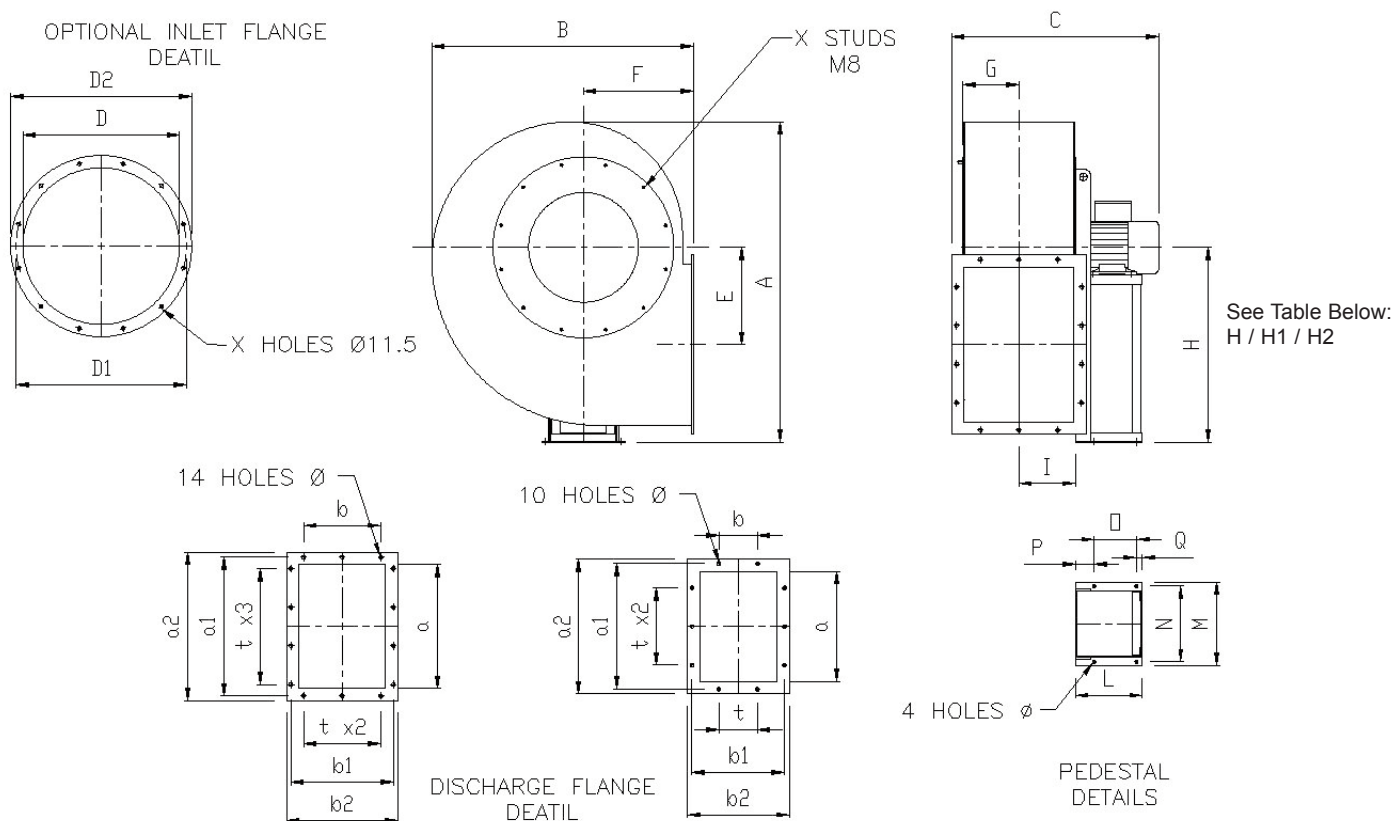
Please note:

- Maximum air temperature through fan is 80°C without cooling fan, and 150°C with cooling fan. Please consult ACI's Technical Sales Department.

EV Radial Bladed Blowers

BPR 4 Pole Series (BPR351D-561B)

Outline drawing dimensions:



See Table Below:
H / H1 / H2

Viewed from motor side

Table of discharge angles (* Options may incur additional cost)

BPR Range painted RAL6011 Green as standard. [Other colours available upon request.]

All BPR Fans are revolable.

* If AV mountings are required, a front pedestal/foot is necessary for support (details on request)

LG								
	L0	L45	L90	L135	L180	L225	L270	L315
RD								
	R0	R45	R90	R135	R180	R225	R270	R315

Table for blower dimensions:

Type		Fan										Base				Inlet Flange				Discharge Flange								Approx Weight					
Fan	Motor	A	B	C	E	F	G	H	H1	H2	I	L	M	N	N1	O	P	Q	Ø	D	D1	D2	X	a	b	a1	b1	a2	b2	t	Qty	Ø	(Kgs)
BPR 351/D	71 B4	740	620	500	225	265	130	450	450	265	132	190	235	215		125	50	15	10	361	405	441	8	355	250	405	300	435	330	125	10	11.5	58
BPR 401/C	80 A4	830	695	560	250	300	146	500	500	300	148	190	235	215		125	50	15	10	405	448	485	8	400	280	448	332	480	360	125	14	11.5	69
BPR 452/C	80 A4	930	780	600	280	335	164	560	560	335	166	190	235	215		125	50	15	10	455	497	535	12	450	315	497	366	530	395	125	14	11.5	84
BPR 451/D	90 S4			635								215	270	245																125		11.5	
BPR 502/C	90 L4	1040	850	675	315	355	184	630	630	355	186	215	270	245		137	60	18	10	505	551	585	12	500	355	551	405	580	435	125	14	11.5	110
BPR 501/D	100 LA4			745								260	332	300																125		11.5	
BPR 562/A	100 LB4	1170	955	800	355	400	207	710	560	400	208	260	332	300		200	35	25	12	566	629	666	16	560	400	629	464	660	500	160	14	14	136
BPR 561/B	112 M4											260	332	300																		200	

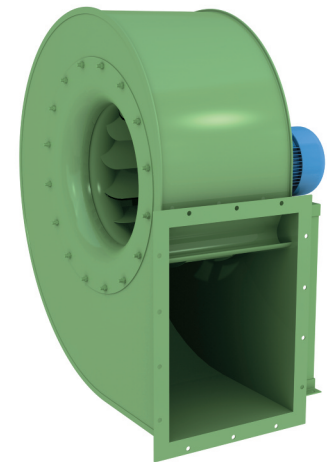
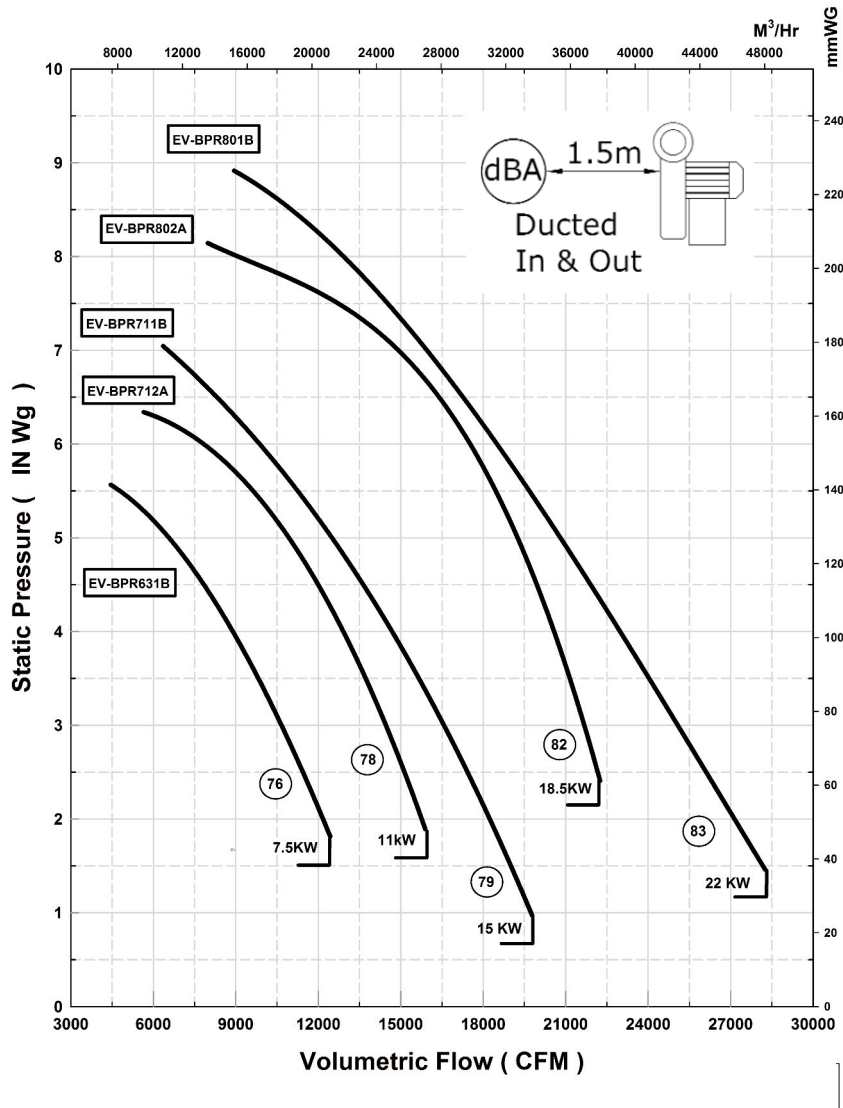
Please note (1) - all drawings measurements are in millimeters (mm)
Please note (2) - above technical specifications are subject to change

AIR CONTROL INDUSTRIES LTD
 Weycroft Avenue, Millwey Industrial Estate,
 Axminster, Devon, EX13 5HU
 t: +44(0)1297 529242 f: +44(0)1297 529241
 e: sales@aircontrolindustries.com
 w: www.aircontrolindustries.com

EV Radial Bladed Blowers

BPR 4 Pole Series (BPR631B-801B)

Performance curves - inlet / discharge side
Curve illustrated is for 4 pole (1450 RPM)



Low-pressure centrifugal fan / High efficiency and low-noise reverse blade impeller / Directly coupled motor

Optional Extras Include:

- Control Valves
- Inlet & Outlet Flexible Connectors
- Anti-vibration mountings
- Non-return Valves

Please note:

Pascal = (In.SWG x 249)
M³/Hr = (CFM x 1.699)

Noise level tolerances +3dB(A)

Description:

Low-pressure centrifugal fan. High efficiency and low-noise reverse blade impeller. Directly coupled motor.

Use:

This series of blowers are particularly suitable for aspiration of clean and slightly dusty air.

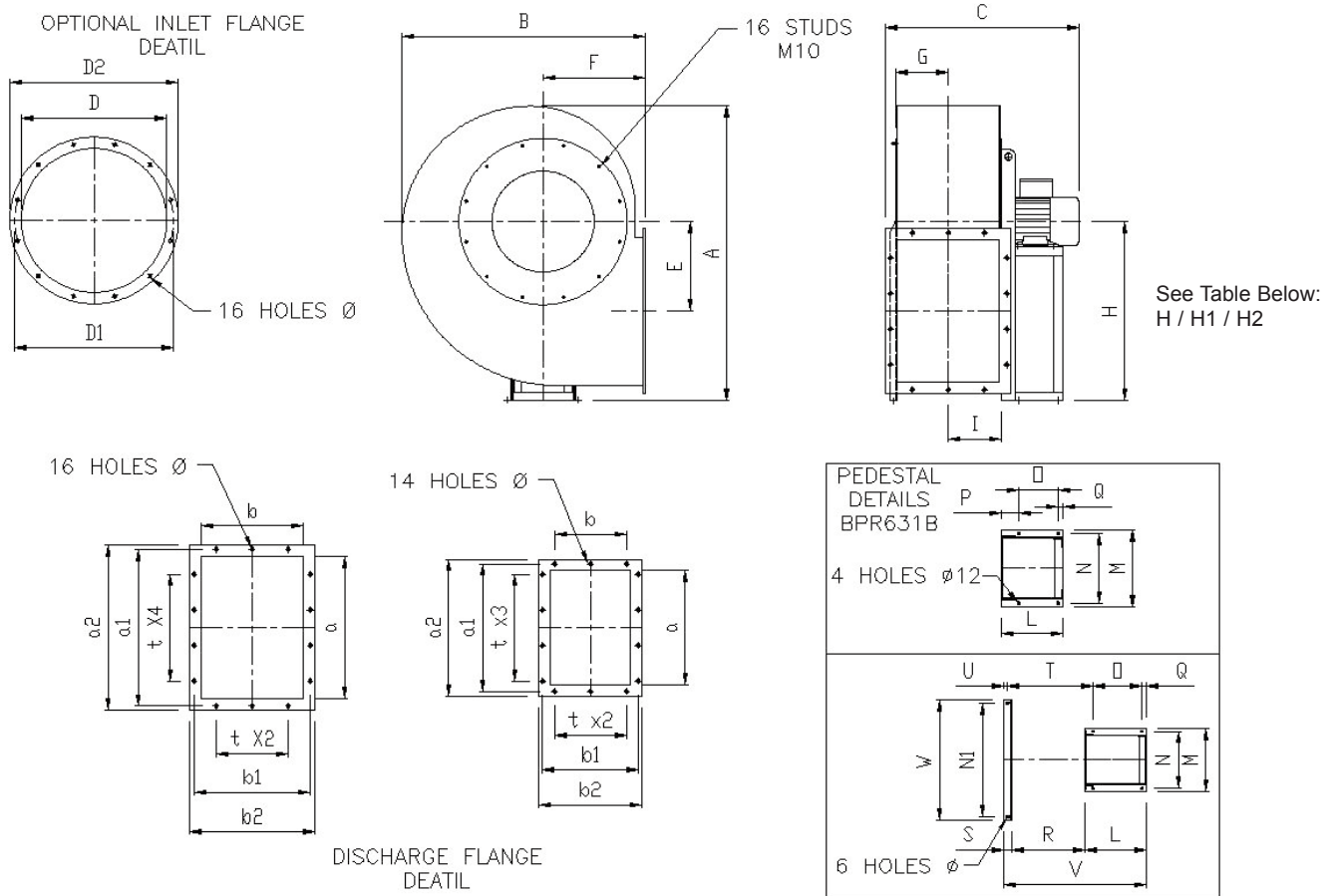
Please note:

- Maximum air temperature through fan is 80°C without cooling fan, and 150°C with cooling fan. Please consult ACI's Technical Sales Department.

EV Radial Bladed Blowers

BPR 4 Pole Series (BPR631B-801B)

Outline drawing dimensions:



See Table Below:
H / H1 / H2

BPR Range painted RAL6011 Green as standard. [Other colours available upon request.]

All BPR Fans are revolable.

* If AV mountings are required, a front pedestal/foot is necessary for support (details on request)

Viewed from motor side

Table of discharge angles (* Options may incur additional cost)

LG				*	*			
RD				*	*			
	L0	L45	L90	L135	L180	L225	L270	L315
	R0	R45	R90	R135	R180	R225	R270	R315

Table for blower dimensions:

Type		Fan										Base										Inlet Flange				Discharge Flange						Weight							
Fan	Motor	A	B	C	E	F	G	H	H1	H2	I	L	M	N	N1	O	P	Q	R	S	T	U	V	W	Ø	D	D1	D2	Ø	a	b	a1	b1	a2	b2	t	Qty	Ø	Kgs
BPR 631/B	132 MA4	1320	1080	910	400	450	230	800	630	450	235	320	392	360	-	250	45	25	-	-	-	-	-	-	-	636	698	736	11.5	630	450	698	513	730	550	-	14	14	200
BPR 712/A	160 M4	1490	1200	1100	450	500	260	900	710	500	260	425	440	400	800	340	-	30	514	50	595	25	989	850	14	716	775	816	13	710	500	775	567	810	600	160	16	14	321
BPR 711/B	160 L4																								14											16			
BPR 802/A	180 M4	1650	1340	1240	500	560	286	1000	800	560	283	470	930	870	870	370	-	35	566	60	668	30	1103	-	17	806	861	906	11.5	800	560	871	639	920	680	200	14	14	425
BPR 801/B	180 L4																								17														

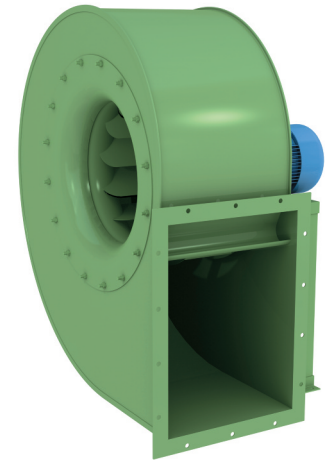
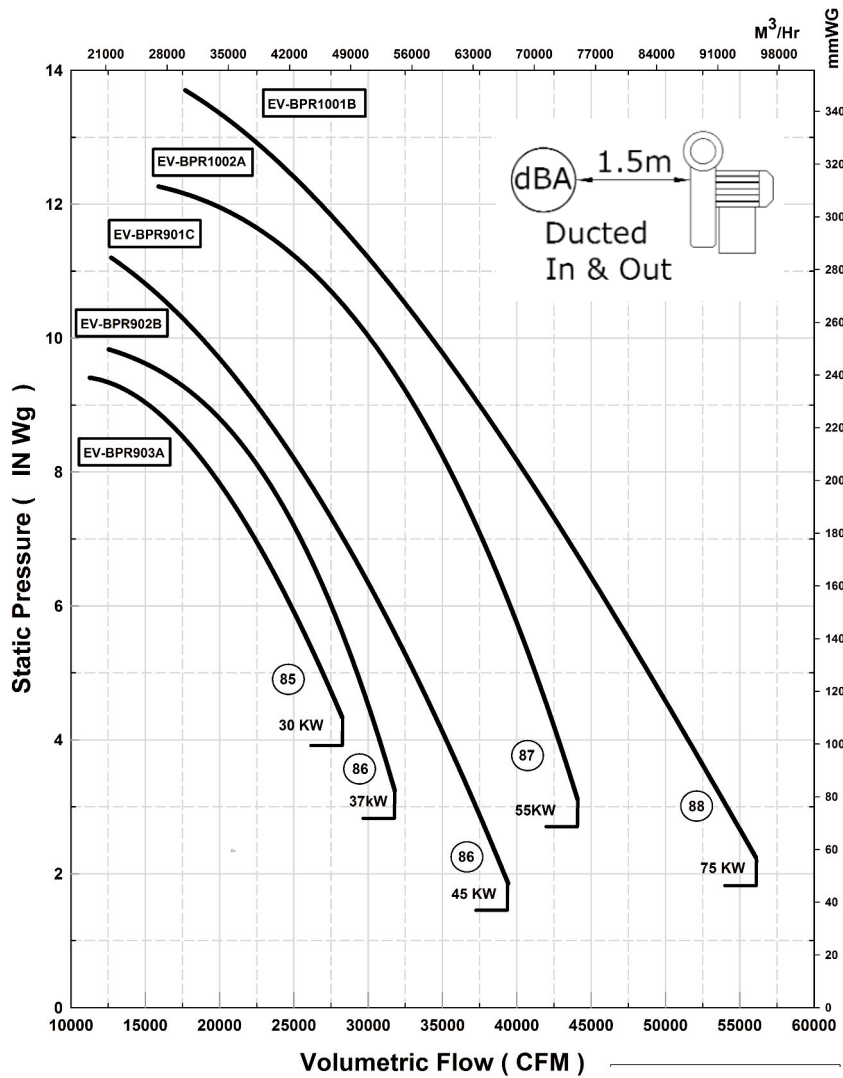
Please note (1) - all drawings measurements are in millimeters (mm)
Please note (2) - above technical specifications are subject to change

EV Radial Bladed Blowers

BPR 4 Pole Series (BPR903A-1001B)

Performance curves - inlet / discharge side

Curve illustrated is for 4 pole (1450 RPM)



Low-pressure centrifugal fan / High efficiency and low-noise reverse blade impeller / Directly coupled motor.

Optional Extras Include:

- Control Valves
- Inlet & Outlet Flexible Connectors
- Anti-vibration mountings

Please note:

Pascal = (In.SWG x 249)

M³/Hr = (CFM x 1.699)

Noise level tolerances +3dB(A)

Description:

Low-pressure centrifugal fan. High efficiency and low-noise reverse blade impeller. Directly coupled motor.

Use:

This series of blowers are particularly suitable for aspiration of clean and slightly dusty air.

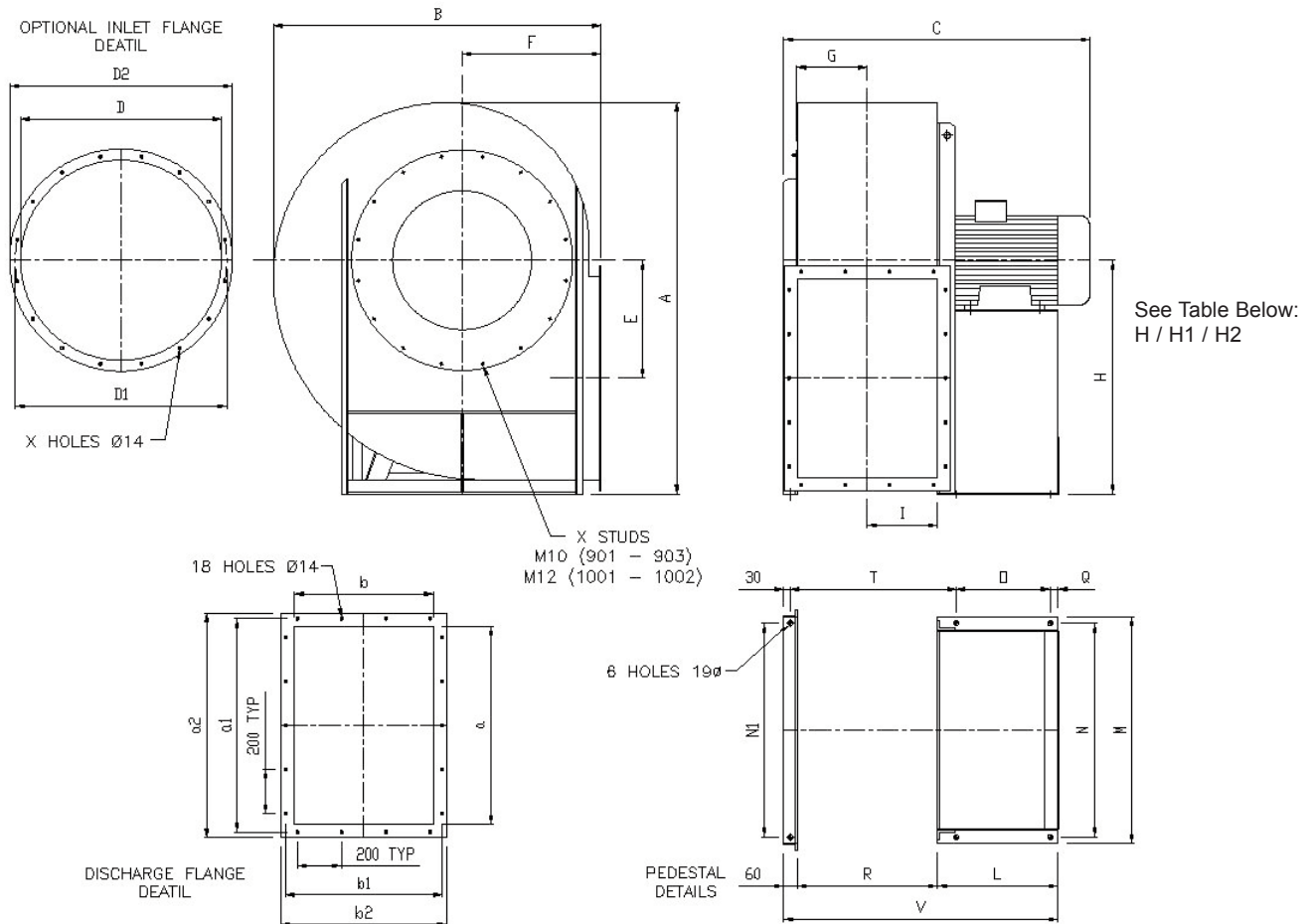
Please note:

- Maximum air temperature through fan is 80°C without cooling fan, and 150°C with cooling fan. Please consult ACI's Technical Sales Department.

EV Radial Bladed Blowers

BPR 4 Pole Series (BPR903A-1001B)

Outline drawing dimensions:



Viewed from motor side

Table of discharge angles (* Options may incur additional cost)

LG								
	L0	L45	L90	L135	L180	L225	L270	L315
RD								
	R0	R45	R90	R135	R180	R225	R270	R315

BPR Range painted RAL6011 Green as standard. [Other colours available upon request.]

All BPR Fans are revolvable.

* If AV mountings are required, a front pedestal/foot is necessary for support (details on request)

Table for blower dimensions:

Type		Fan										Base								Inlet Flange				Discharge Flange						Weight		
Fan	Motor	A	B	C	E	F	G	H	H1	H2	I	L	M	N	N1	O	Q	R	T	V	D	D1	D2	X	a	b	a1	b1	a2	b2	(Kgs)	
BPR 903/A	200 L4			1310								500				385			741	1196												640
BPR 902/B	225 S4	1780	1490	1390	535	630	322	1060	900	630	318	550	1030	970	970	425	40	636	751	1246	906	958	1006	16	900	630	968	708	1020	750	720	
BPR 901/C	225 M4			1390								550				425			751	1246											760	
BPR 1002/A	250 M4			1470								600				460	45		841	1376											990	
BPR 1001/B	280 S4	1980	1670	1600	610	710	362	1180	1000	710	360	700	1130	1060	1060	550	50	716	846	1476	1007	067	1107	24	1000	710	1077	785	1120	830	1170	

Please note (1) - all drawings measurements are in millimeters (mm)
Please note (2) - above technical specifications are subject to change