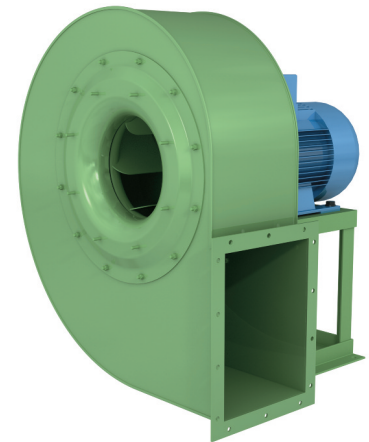
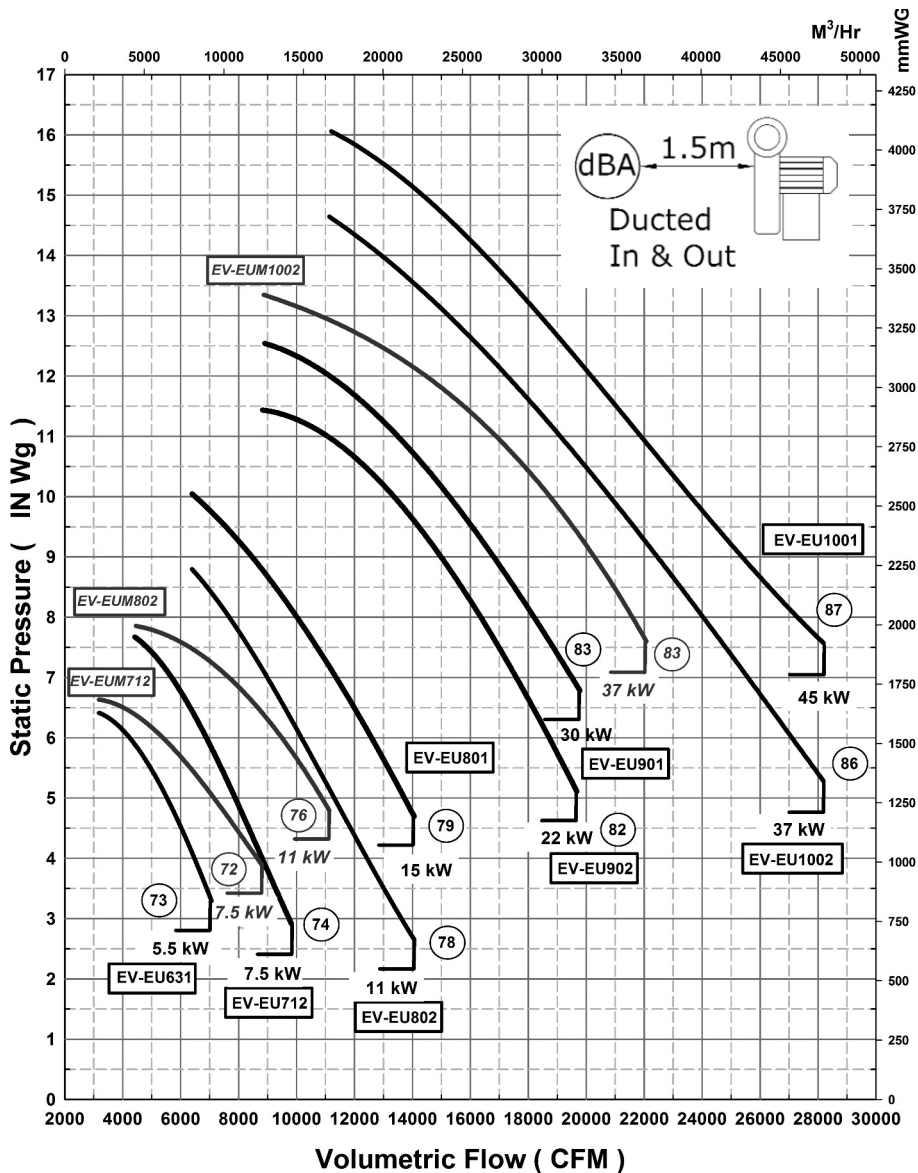


EV Radial Bladed Blowers

EU/EUM 4 Pole Series (EU631-EU1001)

Performance curves - inlet & discharge side
Curve illustrated is for 4 pole (1450 RPM)



Low-pressure centrifugal fan / High efficiency and low-noise reverse blade impeller / Directly coupled motor.

Optional Extras Include:

- Control Valves
- Inlet Guards
- Inlet & Outlet Flexible Connectors
- Anti-vibration mountings

Please note:

Pascal = (In.SWG x 249)
M³/Hr = (CFM x 1.699)

Noise level tolerances +3dB(A)

Description:

Low and medium pressure centrifugal fans. High efficiency and low noise backward curved impeller. Directly coupled motor.

Use:

This series of blowers are particularly suitable for aspiration of extremely dusty air.

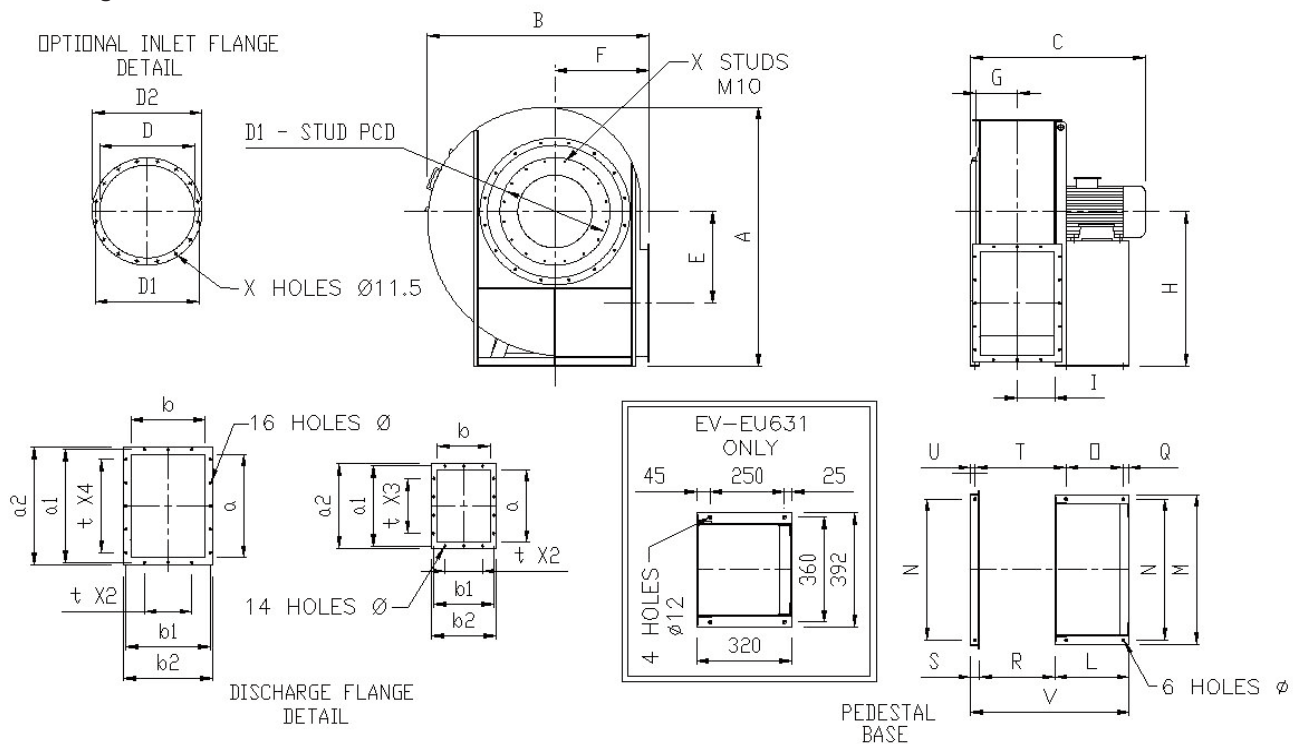
Please note:

- Maximum air temperature through fan is 80°C
- Higher temperatures can be achieved with a heat spinner arrangement. Please consult ACI's Technical Sales Department.

EV Radial Bladed Blowers

EU/EUM 4 Pole Series (EU631-EU1001)

Outline drawing dimensions:



EU/EUM Range painted RAL6011 Green as standard. [Other colours available upon request.]

All EU/EUM fans are fixed and cannot be rotated except for EU631.

If A/V Mountings are required, a front inlet pedestal is necessary for support.

Table of discharge angles (* options may incur additional cost)

LG								
	L0	L45	L90	L135	L180	L225	L270	L315
RD								
	R0	R45	R90	R135	R180	R225	R270	R315

Table for blower dimensions:

Fan		Fan										Base										Inlet Flange				Discharge Flange						Weight					
Fan	Motor	A	B	C	E	F	G	H	H ₁	H ₂	I	L	M	N ₁ /N	O	P	Q	R	S	T	U	V	Ø	D	D ₁	D ₂	X	a	b	a ₁	b ₁	a ₂	b ₂	t	N°	Ø	Kg
EU 631	132 SA4	131 5	109 0	805	465	450	201	800	630	450	182	320	392	360	250	45	25	-	-	-	-	-	12	456	49 7	536	12	500	355	55 1	405	580	435	12 5	14	11,5	250
EU 712	132 MA4	149 0	123 0	860	525	500	225	900	710	500	205	320	850	800	250	-	25	405	50	475	25	775	17	506	55 1	586	12	560	400	62 9	464	660	500	16 0	14	14	350
EUM 712	132 MA4	148 5	123 0	860	525	500	210	900	710	500	203	320	850	800	250	-	25	405	50	475	25	775	17	566	62 9	666	16	560	400	62 9	464	660	500	16 0	14	14	348
EU 802	160 M4	165 0	136 5	105 5	585	560	250	1000	800	560	228	425	930	870	340	-	30	455	60	540	30	940	17	568	62 9	668	16	630	450	69 8	513	730	550	16 0	14	14	450
EUM 802	160 M4	165 0	136 5	105 5	585	560	236	1000	800	560	230	425	930	870	340	-	30	455	60	540	30	940	17	636	69 8	736	16	630	450	69 8	513	730	550	16 0	14	14	446
EU 801	160 L4	165 0	136 5	105 5	585	560	250	1000	800	560	228	425	930	870	340	-	30	455	60	540	30	940	17	568	62 9	668	16	630	450	69 8	513	730	550	16 0	14	14	480
EU 902	180 L4	177 0	151 0	1180	630	630	280	1060	900	630	253	470	1030	970	370	-	35	506	60	601	30	1036	19	638	69 8	738	16	710	500	77 5	567	810	600	16 0	16	14	603
EU 901	200 L4	177 0	151 0	1180	630	630	280	1060	900	630	253	500	1030	970	385	-	40	506	60	611	30	1066	19	638	69 8	738	16	710	500	77 5	567	810	600	16 0	16	14	660
EU 1002	225 S4	198 0	170 0	131 5	710	710	315	1180	100 0	710	284	550	1130	106 0	425	-	40	568	60	683	30	1178	21	718	77 5	818	16	800	560	87 1	639	920	680	20 0	14	14	870
EUM 1002	225 S4	198 0	170 0	131 5	710	710	290	1180	100 0	710	285	550	1130	106 0	425	-	40	568	60	683	30	1178	21	806	86 1	906	16	800	560	87 1	639	920	680	20 0	14	14	865
EU 1001	225 M4	198 0	170 0	131 5	710	710	315	1180	100 0	710	284	550	1130	106 0	425	-	40	568	60	683	30	1178	21	718	77 5	818	16	800	560	87 1	639	920	680	20 0	14	14	900

Please note (1) - all drawings measurements are in millimeters (mm)
Please note (2) - above technical specifications are subject to change

AIR CONTROL INDUSTRIES LTD
Weycroft Avenue, Millwey Industrial Estate,
Axminster, Devon, EX13 5HU
t: +44(0)1297 529242 f: +44(0)1297 529241
e: sales@aircontrolindustries.com
w: www.aircontrolindustries.com