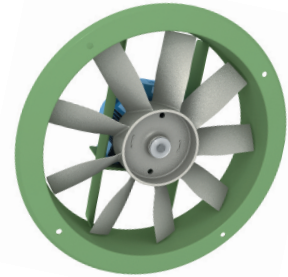


EV Radial Bladed Blowers

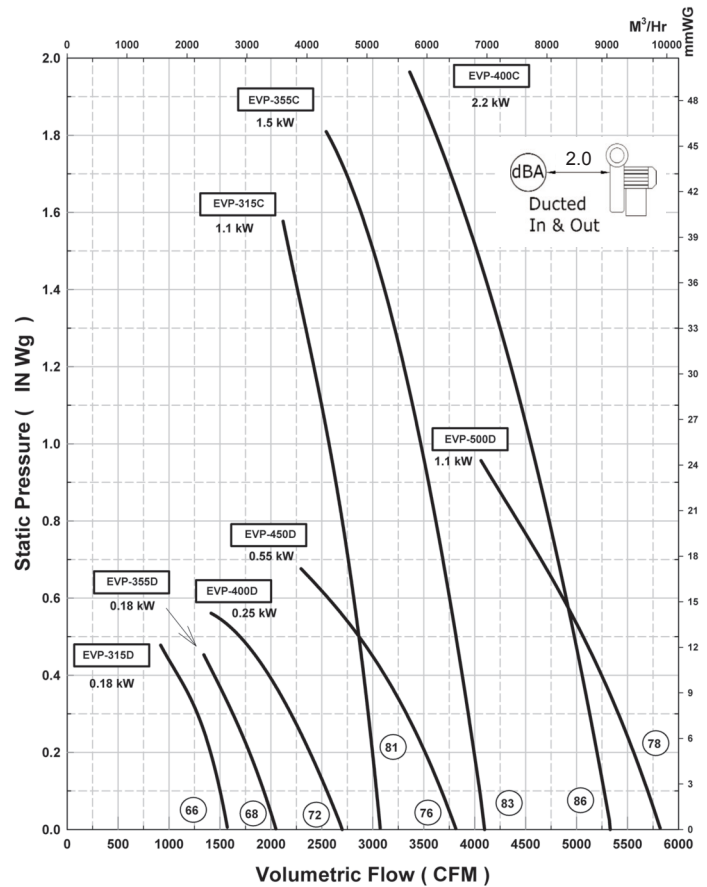
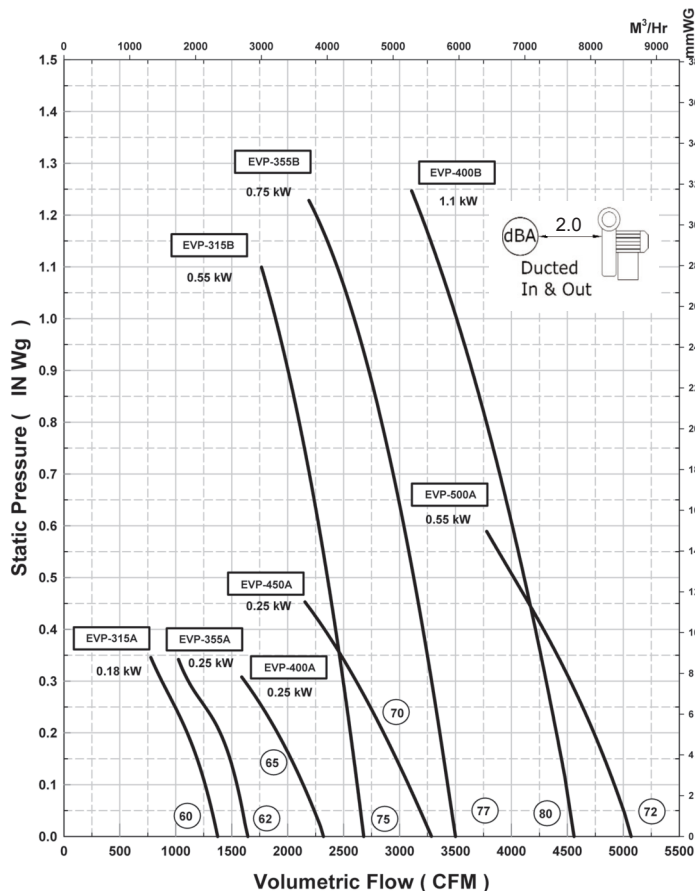
EVP Series (EVP315A-EV500D)



Performance curves - discharge side
Curve illustrated is for 2 & 4 pole

50Hz Operation

60Hz Operation



Please note:

Pascal = (In.SWG x 249)

M³/Hr = (CFM x 1.699)

Noise level tolerances +3dB(A)

Description:

Axial-flow fan with directly coupled motor, cast aluminium impeller and painted mild steel housing. Belt driven versions also available upon request.

Use:

This series of blowers are particularly suitable for sucking in smoke, as well as vitiated, dusty and wet air in foundries, cement factories, paper factories and joinery works. Generally where it is necessary to transport big volumes of air with low pressures.

Please note:

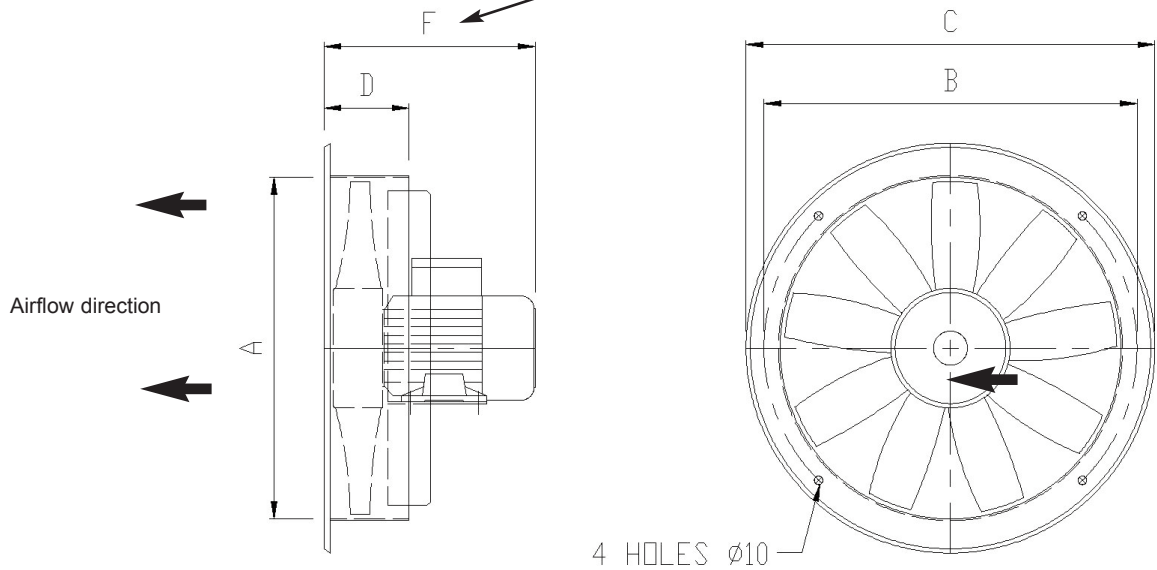
- Minimum working air temperature through fan is -20°C. Maximum temperature +40°C
- Please consult ACI's Technical Sales Department for further information

EV Radial Bladed Blowers

EVP Series (EVP315A-EVP500D)

Outline drawing dimensions:

Note - Fan length will vary depending on motor supplied



EVP Range painted RAL6011 Green as standard. [Other colours available upon request.]

Table for blower dimensions:

2 Pole:

Fan	kW	Motor	A	B	C	D	F	Weight
EV-EVP 315/B	0.55	71 B2	315	356	395	100	248	11
EV-EVP 355/B	0.75	80 A2	355	395	435	100	280	11.5
EV-EVP 400/B	1.1	80 B2	400	438	480	100	285	17
EV-EVP 315/C	1.1	80 A2	315	356	395	100	285	12.5
EV-EVP 355/C	1.3	90 B2	355	395	435	100	280	11.5
EV-EVP 400/C	2.2	90 S2	400	438	480	100	332	19

4 Pole:

Fan	kW	Motor	A	B	C	D	F	Weight
EV-EVP 315/A	0.18	63 A4	315	356	395	100	248	7
EV-EVP 355/A	0.18	63 A4	355	395	435	100	280	7.5
EV-EVP 400/A	0.18	71 B4	400	438	480	100	285	11
EV-EVP 450/A	0.25	71 A4	450	487	530	100	270	12.5
EV-EVP 500/A	0.55	80 A4	500	541	580	130	296	22
EV-EVP 315/D	0.18	71 A4	315	356	395	100	248	7
EV-EVP 355/D	0.18	71 A4	355	395	435	100	248	7.5
EV-EVP 400/D	0.22	71 B4	400	438	480	100	248	11
EV-EVP 450/D	0.45	80 B4	450	487	530	100	270	12.5
EV-EVP 500/D	0.9	90 B4	500	541	580	130	296	22

Please note (1) - all drawings measurements are in millimeters (mm)
 Please note (2) - above technical specifications are subject to change

AIR CONTROL INDUSTRIES LTD
 Weycroft Avenue, Millwey Industrial Estate,
 Axminster, Devon, EX13 5HU
 t: +44(0)1297 529242 f: +44(0)1297 529241
 e: sales@aircontrolindustries.com
 w: www.aircontrolindustries.com