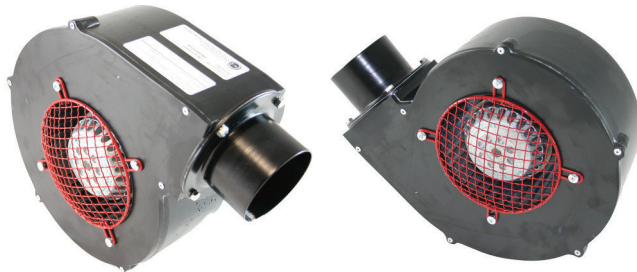


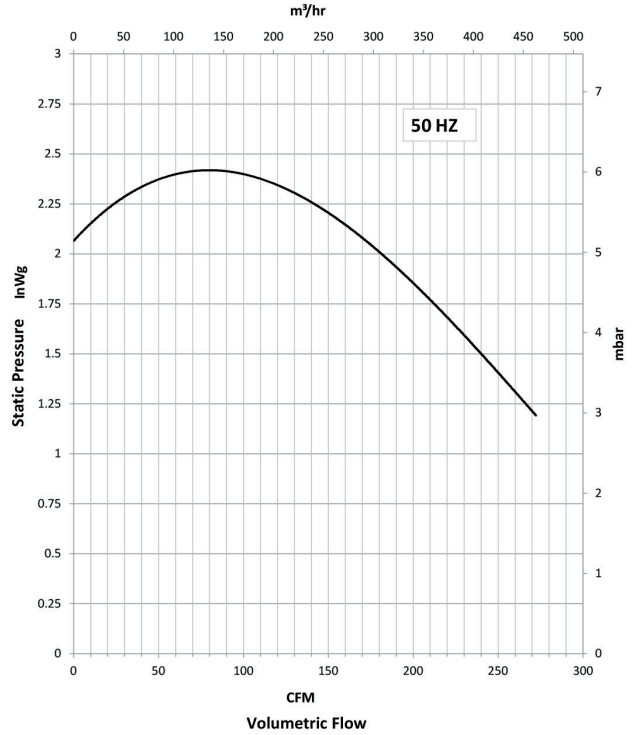
Standard Forge Fan

Ref: VBL6/3-00105 & VBL6/3-00108

General Characteristics:

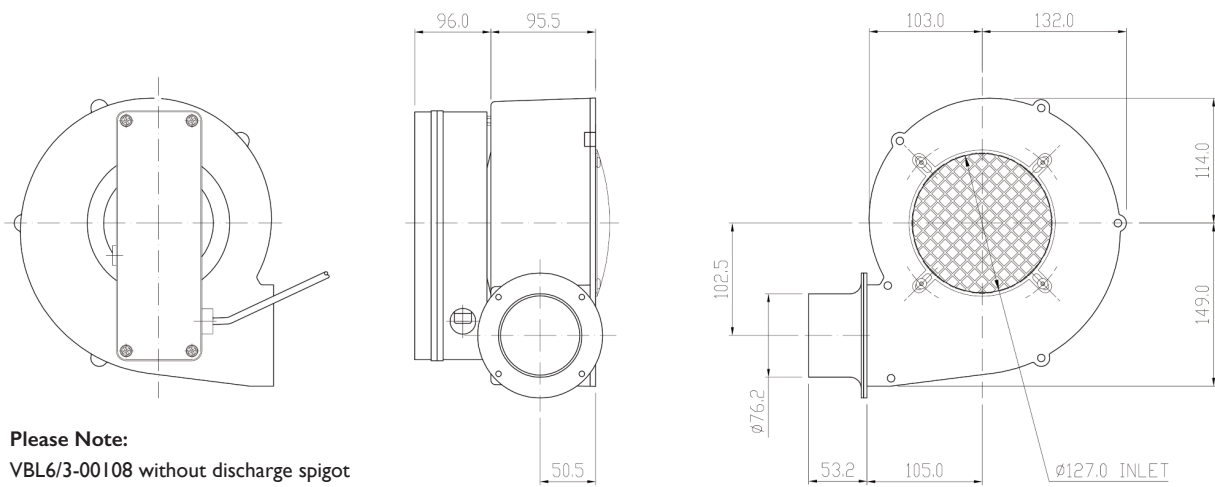


Materials:	Fancase: Cast Aluminium LM6 Impellers: Galvanised Sheet Steel
Finishes:	Power coated (black) as standard
Noise Levels:	77dB(A) Free Air, 1M
Weight:	4.3Kgs / 9.5Lbs



Outline Drawing:

Please note (1) - all drawings measurements are in millimeters (mm)
Please note (2) - below technical specifications are subject to change



Please Note:
VBL6/3-00108 without discharge spigot
VBL6/3-00105 with discharge spigot

Air Control Industries Ltd
Weycroft Avenue, Millwey Rise Industrial Estate,
Axminster, Devon, EX13 5HU, United Kingdom
Tel: +44(0)1297 529242 Fax: +44(0)1297 529241
Email: sales@aircontrolindustries.com

www.aircontrolindustries.com