

Multi Stage MS11/020

Backward Curved, Single Inlet Centrifugal Fans

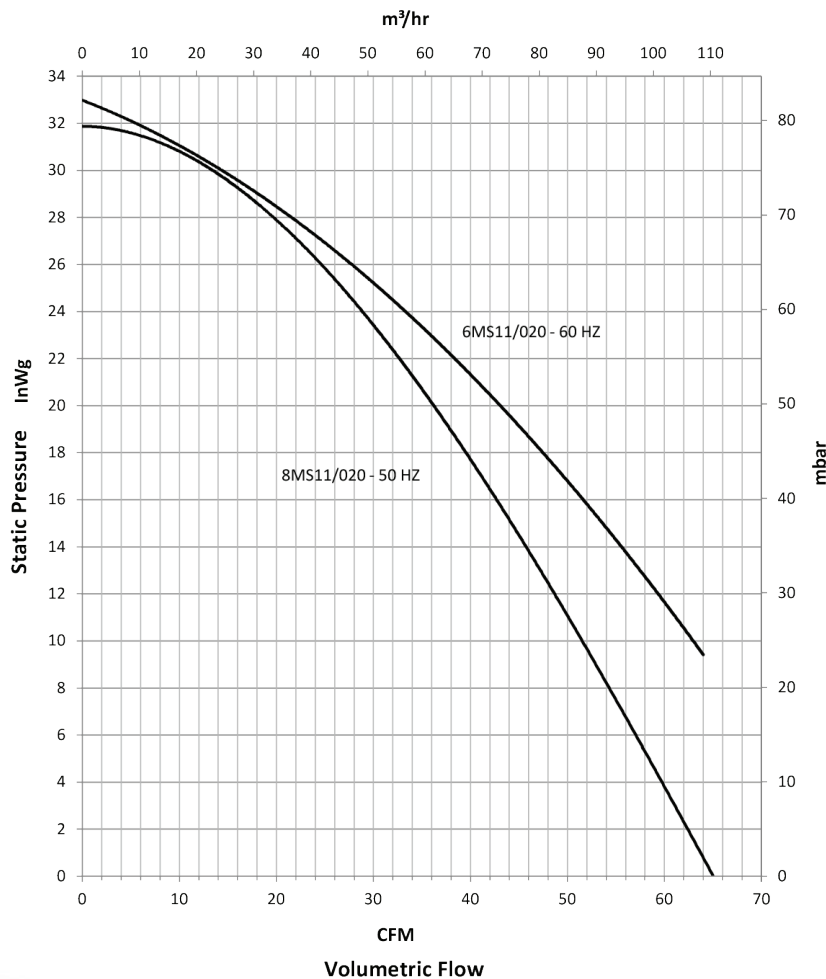
General Characteristics:



[Please note - image above may not be representative of the unit supplied]

Motor type:	Induction type, IPh, capacitor start and run		
Nominal supply:	Volts	Ph	Hz
	100	1	60
	110-115	1	50/60
	120	1	60
	240	1	50
	380-420 / 220-240	3	50/60
	440-480/250-280		
Options:	Inlet and discharge guards and spigots		
Materials:	Inlets & Fanscrolls: Cast aluminium Stators: White polyester resin Impellers: Aluminium 1200 H14		
Bearings:	Ball type, lubricated for life		
Mounting options:	Build-in- type / with feet		
Noise levels:	82.5dB(A) Free Air; 1M (6MS11) 76.4dB(A) Free Air; 1M (8MS11)		

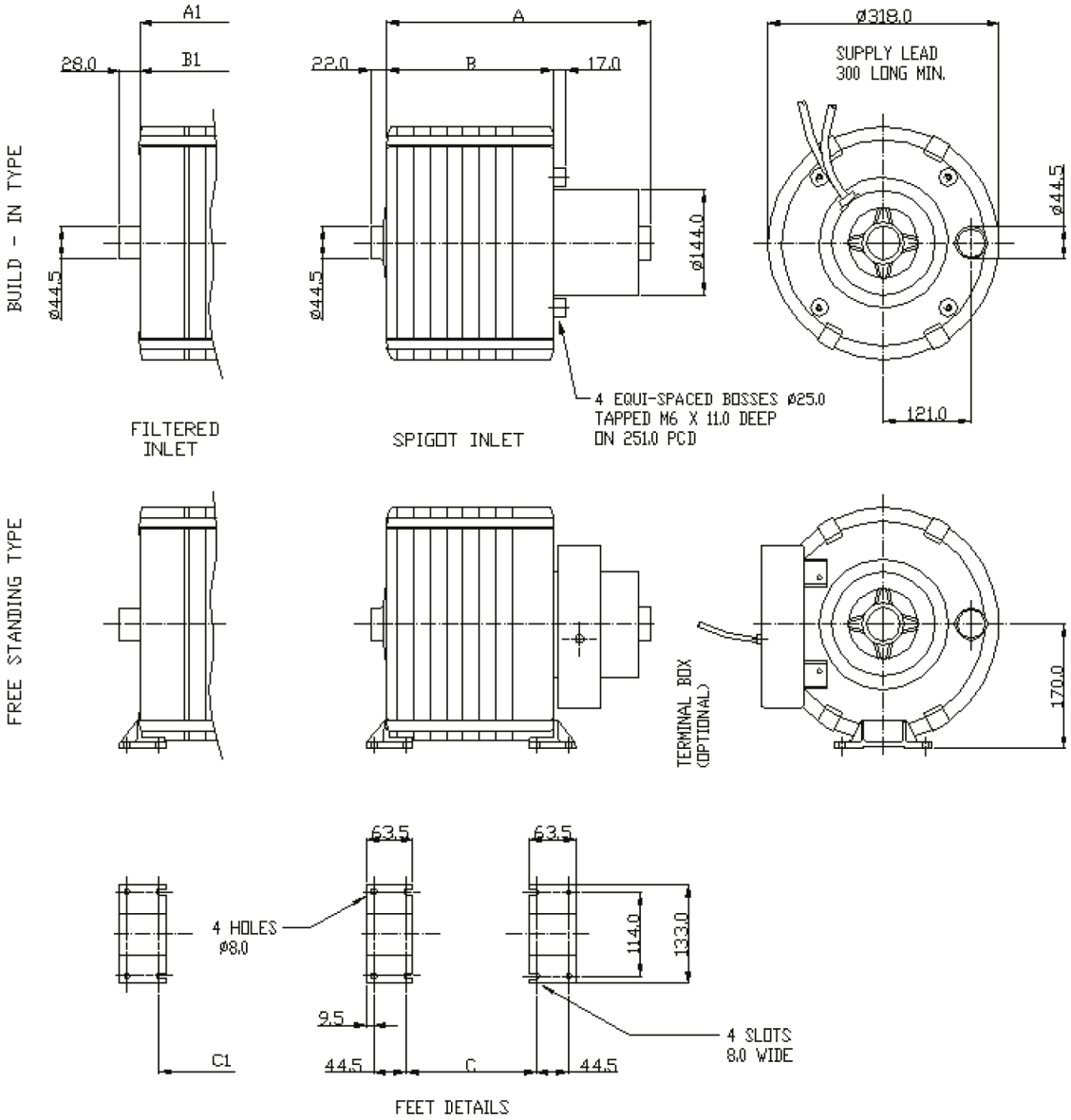
Performance Details:



Multi Stage MS11/020

Backward Curved, Single Inlet Centrifugal Fans

Outline dimensions:



	A	A1	B	B1	C	C1
6MS11/020	315	369	187	241	134	188
8MS11/020	360	414	232	286	179	233

Please note (1) - all drawings measurements are in millimeters (mm)
 Please note (2) - above technical specifications are subject to change

Air Control Industries Ltd
 Weycroft Avenue, Millwey Rise Industrial Estate,
 Axminster, Devon, EX13 5HU, United Kingdom
 Tel: +44(0)1297 529242 Fax: +44(0)1297 529241
 Email: sales@aircontrolindustries.com

www.aircontrolindustries.com