

EC Fan QBW7/3

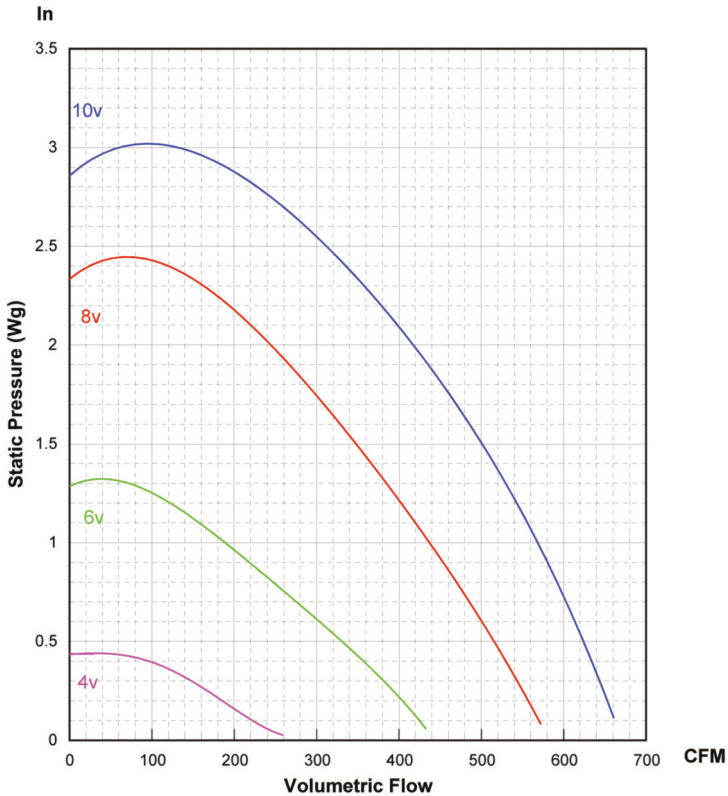
Single Inlet Centrifugal Fan

General Characteristics:

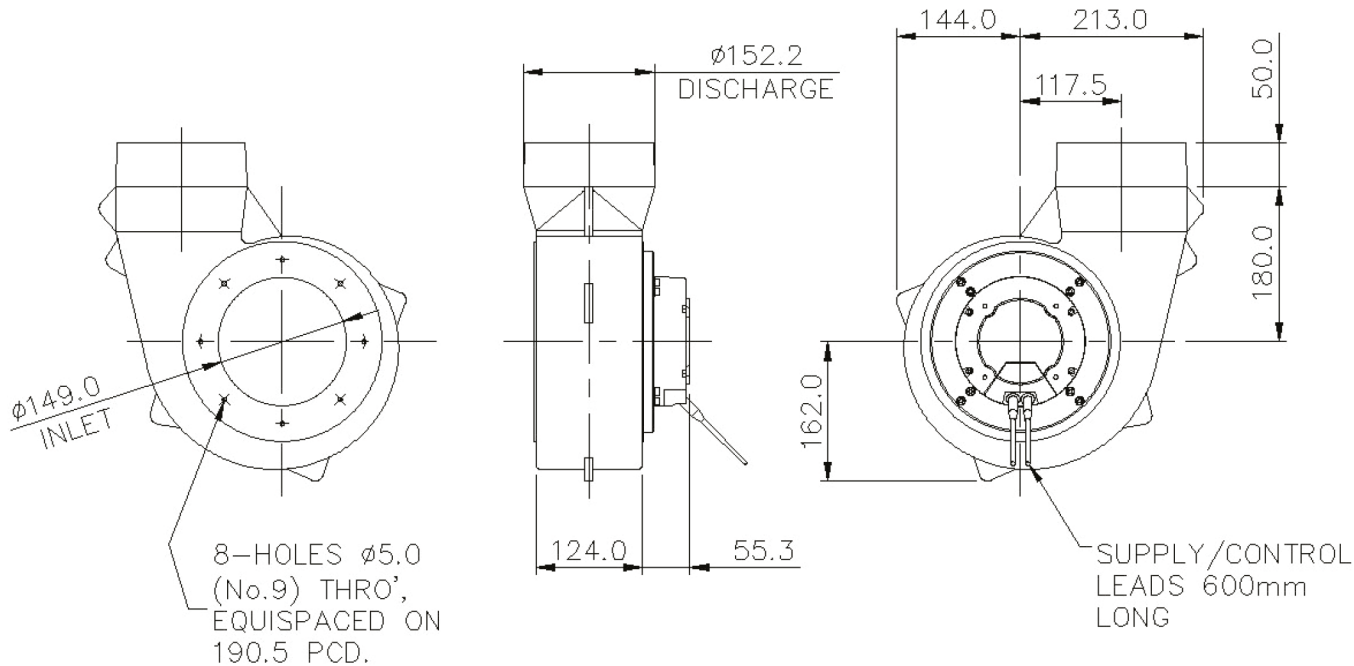


[Please note - image above may not be representative of the unit supplied]

Motor type:	EC (Electronically Commutated) motors. IP44 Integrated speed control via PWM or 0-10V signal
Nominal supply:	230V 1Ph 50/60Hz 115V 1Ph 50/60Hz
Options:	Potentiometer 0-10V speed controller; inlet & discharge guards, spigots, inlet filters
Materials:	Fancase - cast aluminium LM6 Impeller - galvanised sheet steel
Finishes:	Unpainted or stove enamel as std (black)
Mounting options:	Inlet & discharge drillings
Noise levels:	79.9dB(A) Free Air, 1 metre
Weight:	8.0Kg/17.6Lbs



Outline dimensions:



Please note (1) - all drawings measurements are in millimeters (mm)
Please note (2) - above technical specifications are subject to change