

# Double stage Lateral Channel Blowers Compressor - 50Hz X2.05 SM



## Main Features

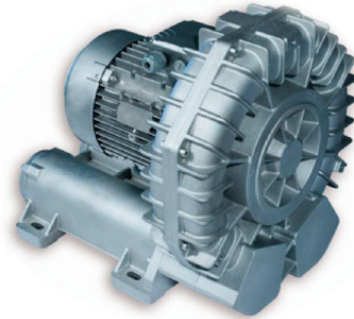
- Compliance with the ATEX Directive 94/9/EC
- Compliance with the Machinery Directive 2006/42/CE
  - Maximum flow: 52 m<sup>3</sup>/h
  - Maximum Pressure: 275 mbar
  - Aluminium alloy parts non sparking
  - Motors ATEX Ex nA IIB T4 Gc with PTC sensor
  - Suitable for horizontal and vertical installation (for Biogas application, only vertical)
  - Inlet / Outlet ports: G 1 1/4"

## For Biogas application (to be listed at order)

- Anodizing
- Impregnation
- Provision for pressure and temperature control sensors
- Drain holes
- Only vertical installation with No. 3 vibration dampers included (Refer to the doc: "Overall dimensions for Biogas application")

## MARKING

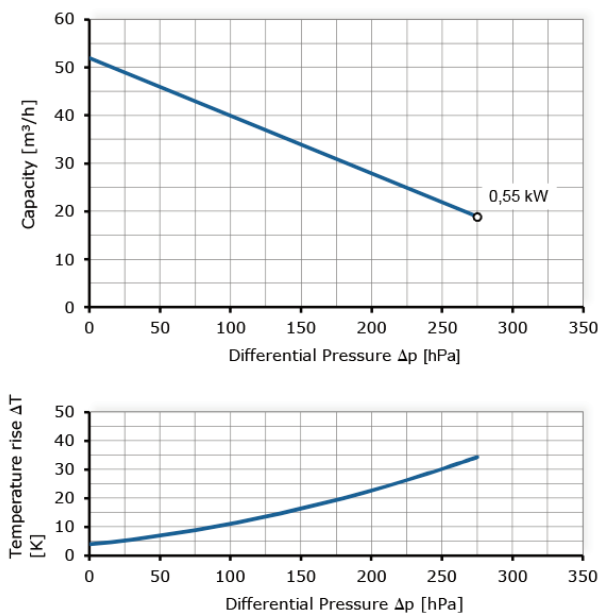
- Zone 2, Cat 3G (GAS)
  - II 3G c IIB T4
- Zone 22, Cat 3D (DUST)
  - II 3D c T135°C
- For Biogas application
  - Zone 2, Cat 3G (GAS)
    - II 3G cb IIB T3



## Technical Data for 50Hz - 2 poles - Three-Phase Motors <sup>(5)</sup>

Order Code	Maximum flow [m <sup>3</sup> /h]	Maximum Differential Pressure $\Delta p$ [hPa]	Electric Motor data			Noise level Lp <sup>(3)</sup> [dB (A)]	Weight [kg]
			Installed Power [kW]	Voltage <sup>(2)</sup> $\Delta/Y$ [V]	Rated Amps $\Delta/Y$ [A]		
<b>X2.05-0.55</b>	52	275	0,55	230/400	2,9 / 1,7	60,0	13

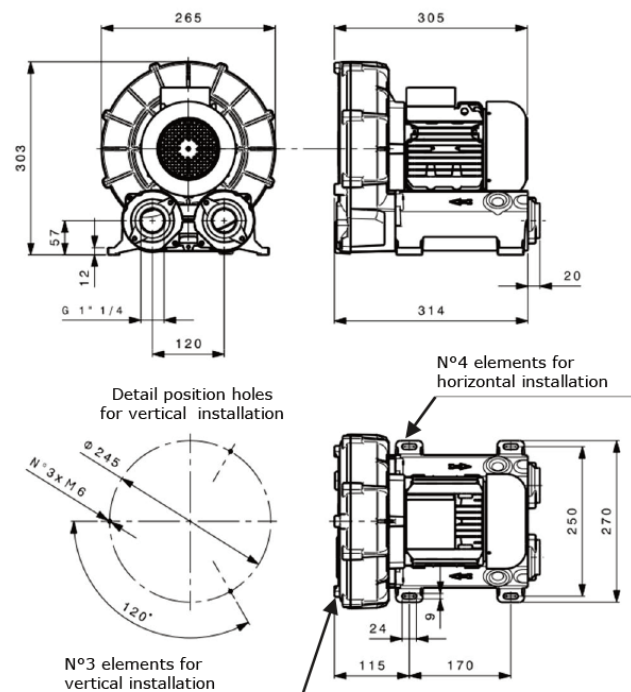
## Performance Diagrams [50Hz] <sup>(1)</sup>



### Notes:

- (1) Performance curves refer to operative conditions to air at 15°C temperature and 1013 hPa (abs) pressure measured at inlet port. Tolerance on capacity and temperature values: +/-10%. 1 hPa = 1 mbar
- (2) Allowed tolerance for supplied voltage: +/-10%.
- (3) Noise measured at 1 meter distance in accordance to EN ISO 3744, tolerance: +/-3 dB (A).
- (4) Tolerance about dimensions according to: ISO 2768-c.
- (5) For use with frequencies different from 50Hz, refer to variable frequency table.

## Overall Dimensions [mm] <sup>(4)</sup>



For proper installation and safe use of the blower it must be equipped with relief valve and air filter in accordance with 94/9/EC Atex Directive.  
For further details ask for the Compressor connection diagram.