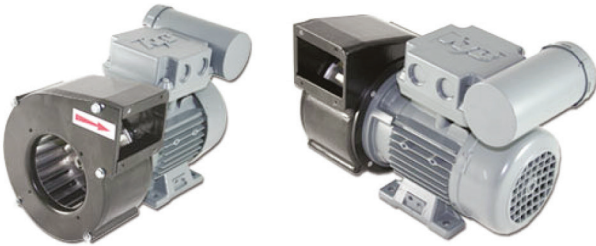


Centrifugal Fan VBL4

Single Inlet Centrifugal Fan

General Characteristics:

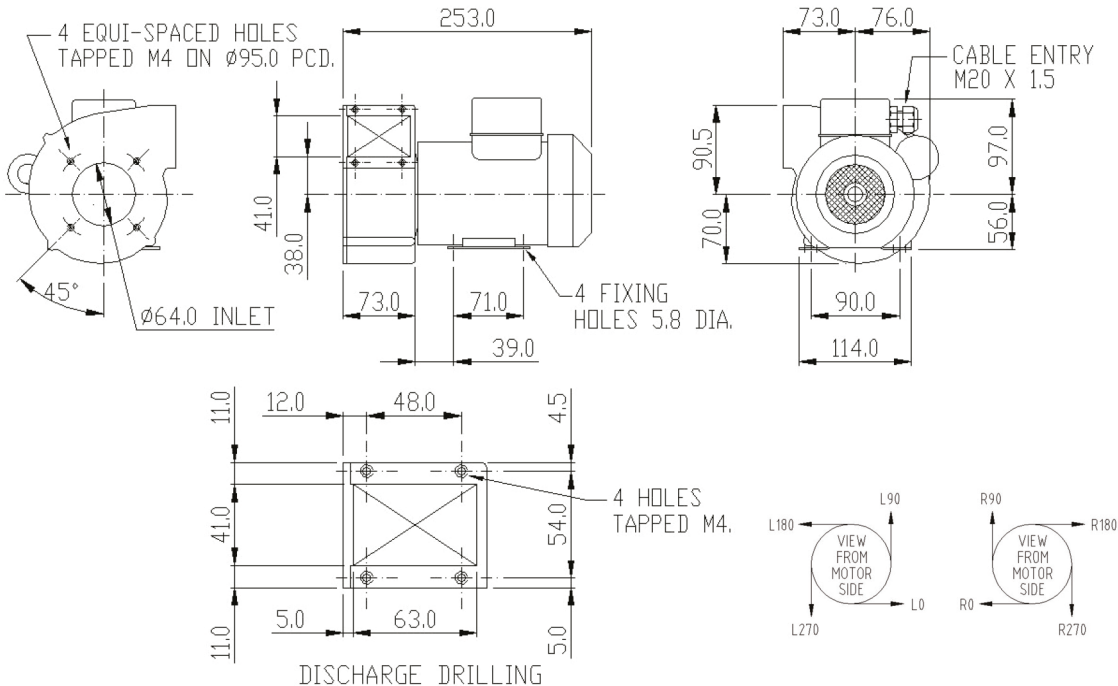


Please note - image above may not be representative of the unit supplied]

Motor type:	Shaded pole, IP44
Nominal supply:	220/240V or 115V IPh 50Hz
Options:	Inlet & discharge guards, Spigots
Materials:	Fan case: Cast aluminium LM6 Impellers: Aluminium 1200 H14
Finishes:	Unpainted/Stove enamel (black) as std
Mounting options:	Inlet & discharge tappings, Motor feet, Pedestals
Noise levels:	61dB(A) Free Air, 1M
Weight:	4.4Kgs / 9Lbs
Motor variations:	ATEX, CE, CSA, UL available

Outline dimensions:

[note: motor shown is for 50Hz performance.
Motor dimensions for 60Hz operation may vary]



Please note (1) - all drawings measurements are in millimeters (mm)
Please note (2) - above technical specifications are subject to change

