

Centrifugal Fan VBM4

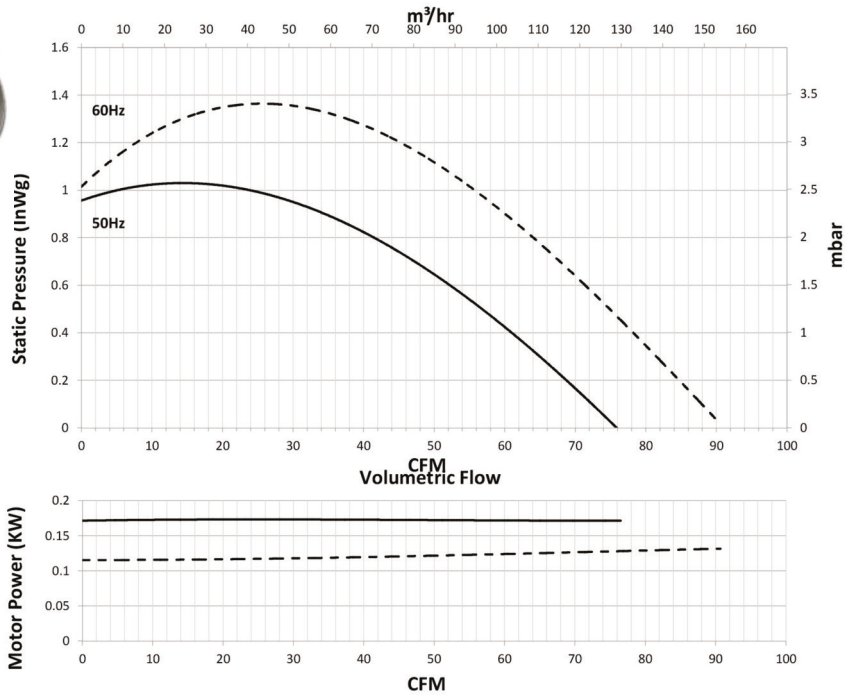
Single Inlet Centrifugal Fan

General Characteristics:



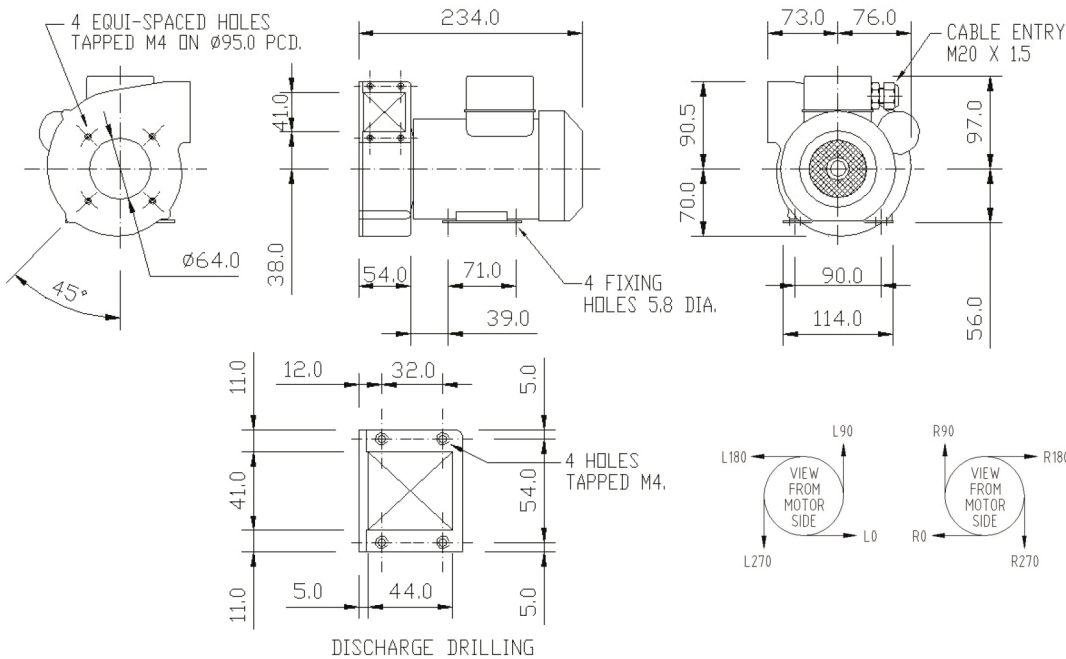
Please note - image above may not be representative of the unit supplied]

Motor type:	Squirrel cage induction motor IP44 as std, IP55 available
Nominal supply:	240V 1Ph 50Hz 110V 1Ph 60Hz 380-420 / 220-240V 3Ph 50/60Hz
Options:	Inlet & discharge guards, Inlet filters, Spigots, Heat spinners
Materials:	Fan case: Cast aluminium LM6 Impellers: Aluminium 1200 H14
Finishes:	Unpainted/Stove enamel (black) as std
Mounting options:	Inlet & discharge tappings, Motor feet, Pedestals
Noise levels:	67.0dB(A) Free Air, 1M
Weight:	4Kgs / 8.8Lbs
Motor variations:	ATEX, CE, CSA, UL available



Outline dimensions:

[note: motor shown is for 50Hz performance.
Motor dimensions for 60Hz operation may vary]



Please note (1) - all drawings measurements are in millimeters (mm)
Please note (2) - above technical specifications are subject to change

Air Control Industries Ltd
Weycroft Avenue, Millwey Rise Industrial Estate,
Axminster, Devon, EX13 5HU, United Kingdom
Tel: +44(0)1297 529242 Fax: +44(0)1297 529241
Email: sales@aircontrolindustries.com
www.aircontrolindustries.com