

Centrifugal Fan VBM6

Single Inlet Centrifugal Fan

General Characteristics:

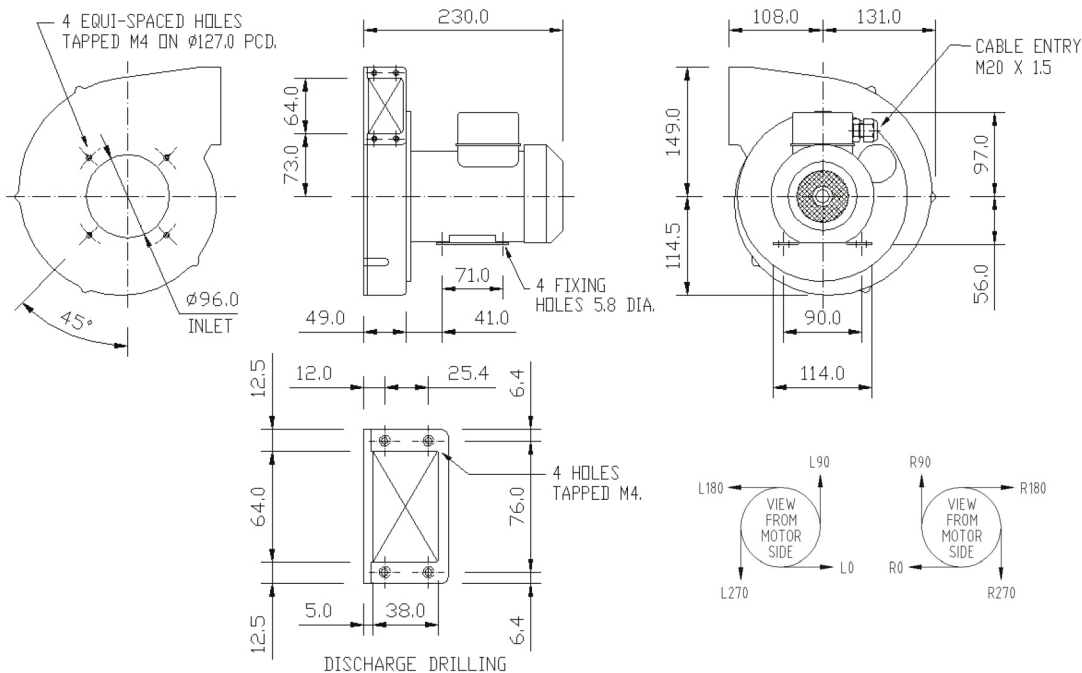


Please note - image above may not be representative of the unit supplied]

Motor type:	Squirrel cage induction motor IP44 as std, IP55 available
Nominal supply:	230V 1Ph 50/60Hz 110/115V 1Ph 50/60Hz Dual Voltage 3Ph 50/60Hz
Options:	Inlet & discharge guards, Inlet filters, Spigots, Heat spinners
Materials:	Fan case: Cast aluminium LM6 Impellers: Aluminium 1200 H14
Finishes:	Unpainted/Stove enamel (black) as std
Mounting options:	Motor feet or Pedestals
Noise levels:	74.5dB(A) Free Air, 1M
Weight:	6Kgs / 13Lbs
Motor variations:	ATEX, CE, CSA, UL available

Outline dimensions:

[note: motor shown is for 50Hz performance.
Motor dimensions for 60Hz operation may vary]



Please note (1) - all drawings measurements are in millimeters (mm)
Please note (2) - above technical specifications are subject to change

