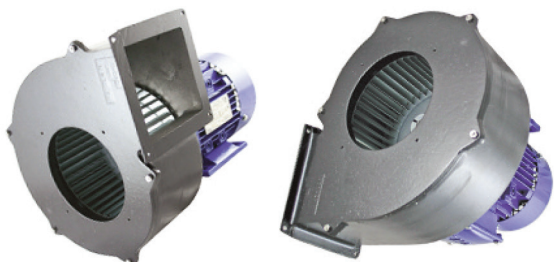


Centrifugal Fan VBW6

Single Inlet Centrifugal Fan

General Characteristics:



Motor type: Squirrel cage induction motor IP55 as std, IP65 available

Nominal supply: 220/240V or 115V 1Ph 50/60Hz
380/420VY / 220/240VD 3Ph 50Hz
440/480VY / 250/280VD 3Ph 60Hz

Options: Inlet & discharge guards, Inlet filters, Spigots

Materials: Fancase: Cast aluminium LM6
Impellers: Galvanised sheet steel

Finishes: Unpainted/Stove enamel (black) as std

Mounting options: Motor feet or Pedestal

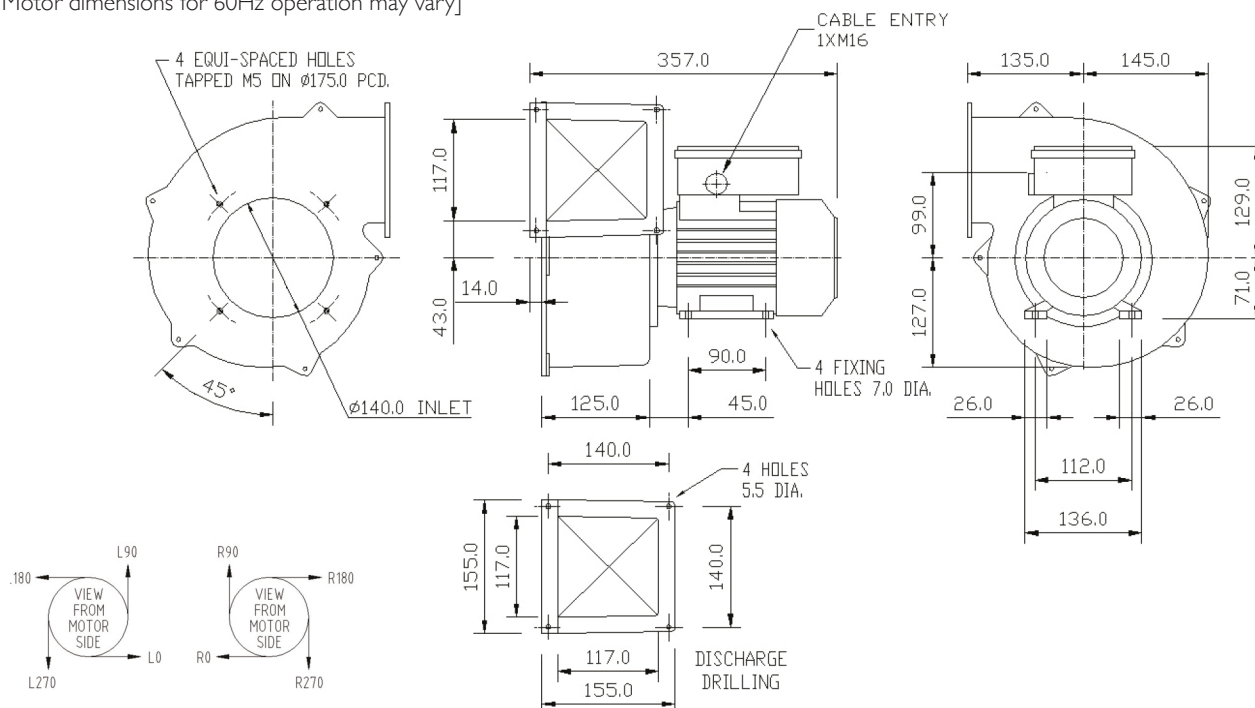
Noise levels: 86.5dB(A) Free Air, 1M

Weight: 14Kgs / 31Lbs

Motor variations: ATEX, CE, CSA, UL available

Outline dimensions:

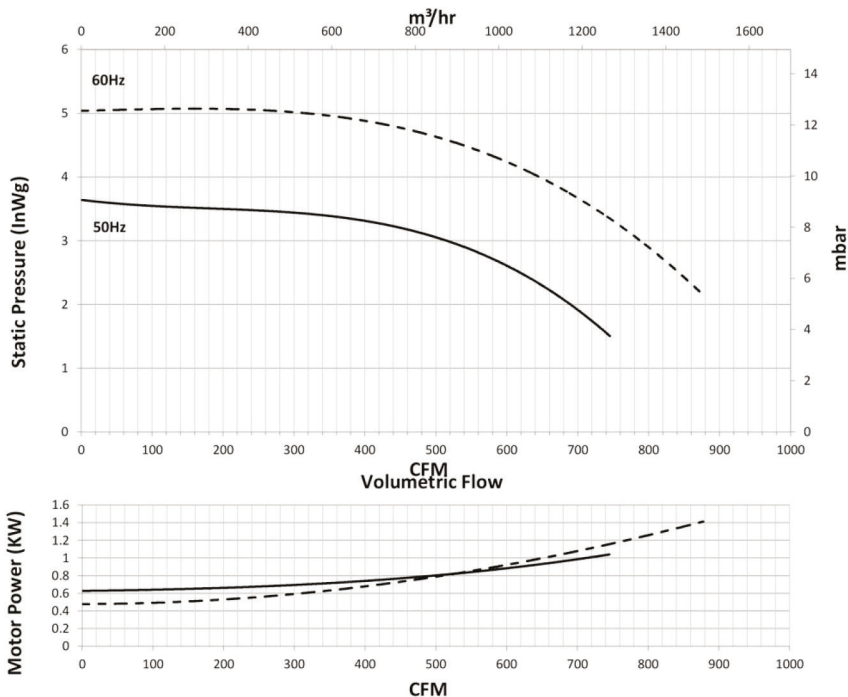
[note: motor shown is for 50Hz performance.
Motor dimensions for 60Hz operation may vary]



Please note:

- 1 - all drawings measurements are in millimeters (mm)
- 2 - above technical specifications are subject to change
- 3 - Images used may not be representative of the fan supplied

ref:VBW6 2014/V1



Air Control Industries Ltd
 Weycroft Avenue, Millway Rise Industrial Estate,
 Axminster, Devon, EX13 5HU, United Kingdom
 Tel: +44(0)1297 529242 Fax: +44(0)1297 529241
 Email: sales@aircontrolindustries.com
www.aircontrolindustries.com