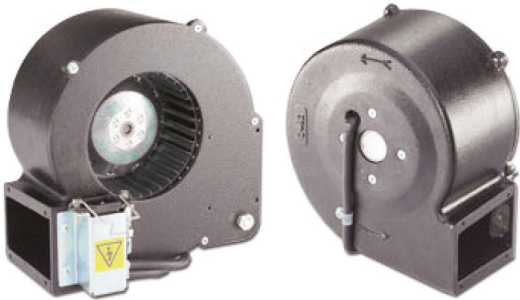


# Slimline Fan VBL5/3

## Single Inlet Centrifugal Fan

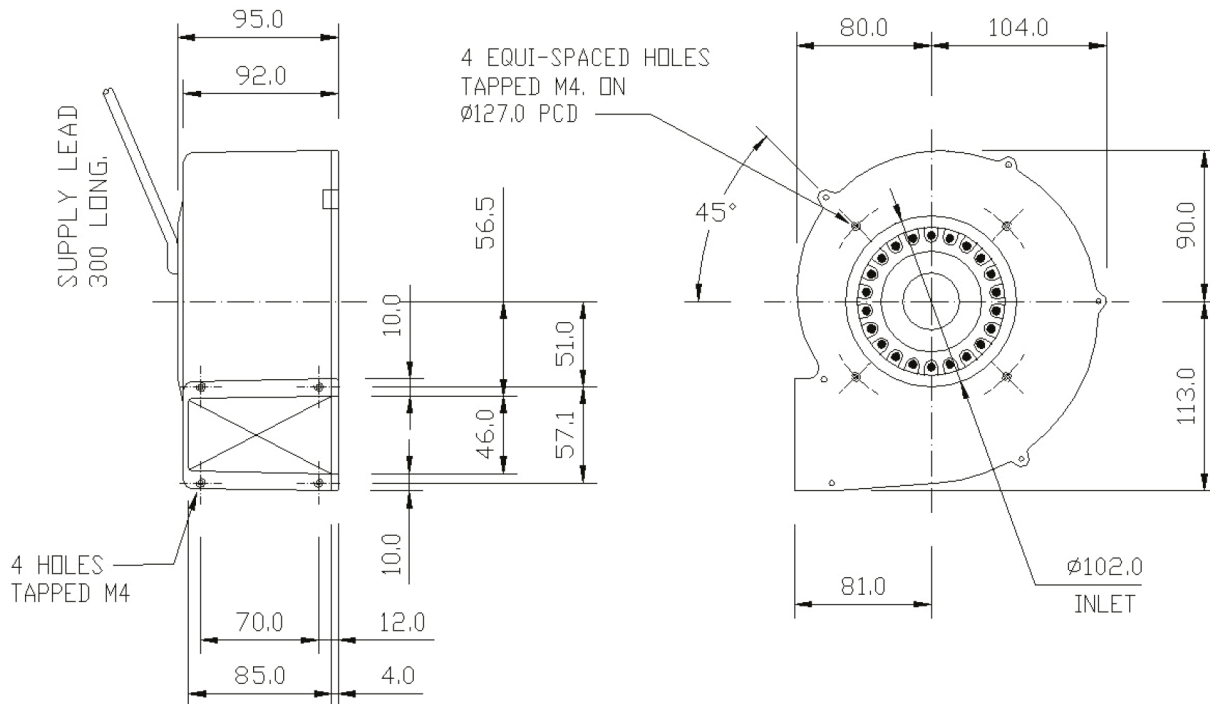
### General Characteristics:



[Please note - image above may not be representative of the unit supplied]

|                          |   |
|--------------------------|---|
| <b>Motor type:</b>       | External rotor motor / shaded pole induction IP44                 |
| <b>Nominal supply:</b>   | 230V 1Ph 50/60Hz<br>115V 1Ph 50/60Hz<br>380/440V 3Ph 50/60Hz      |
| <b>Options:</b>          | Inlet & discharge guards, inlet filters                           |
| <b>Materials:</b>        | Fancase - cast aluminium LM6<br>Impeller - galvanised sheet steel |
| <b>Finishes:</b>         | Unpainted or stove enamel as std (black)                          |
| <b>Mounting options:</b> | Foot, inlet & discharge drillings                                 |
| <b>Noise levels:</b>     | 62.5dB(A) Free Air, 1 metre                                       |
| <b>Weight:</b>           | 3.2Kg / 7.05Lbs   |

### Outline dimensions:



Please note (1) - all drawings measurements are in millimeters (mm)  
Please note (2) - above technical specifications are subject to change

