

Slimline Fan VBL5/5

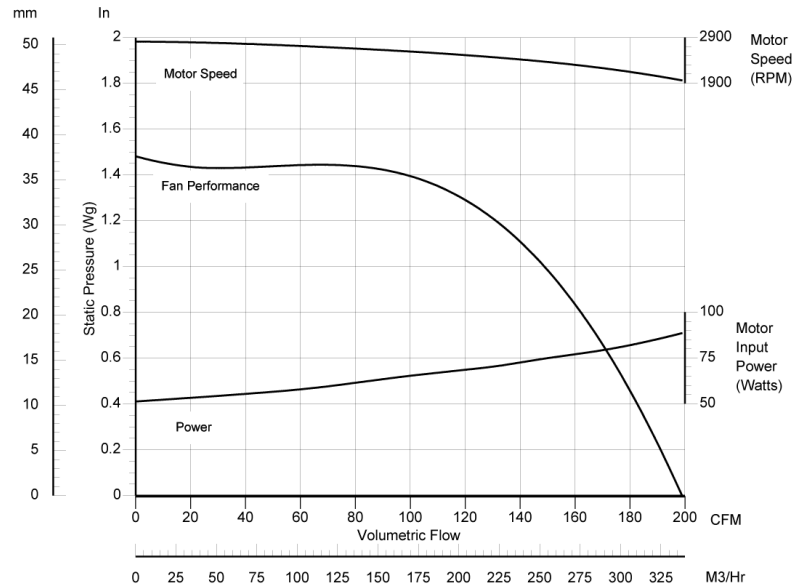
Single Inlet Centrifugal Fan

General Characteristics:

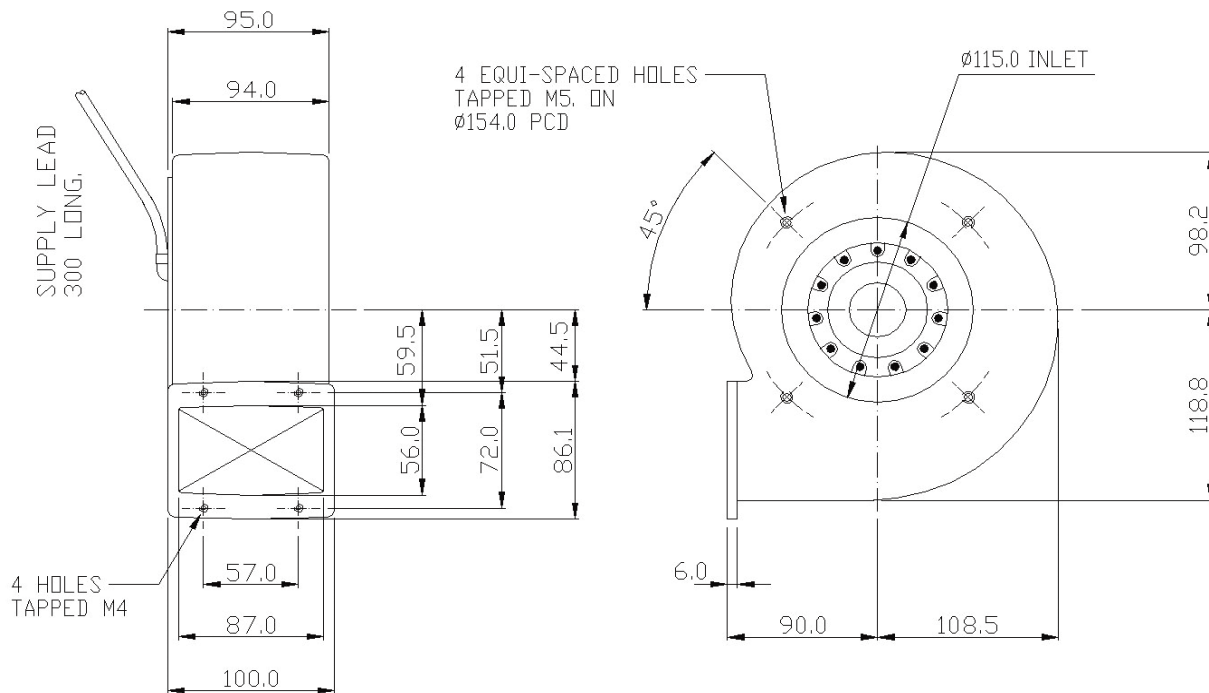


[Please note - image above may not be representative of the unit supplied]

Motor type:	External rotor motor / shaded pole induction IP44
Nominal supply:	115V 1Ph 50/60Hz 230V 1Ph 50/60Hz
Options:	Inlet & discharge guards
Materials:	Fancase - cast aluminium LM6 Impeller - galvanised sheet steel
Finishes:	Unpainted or stove enamel as std (black)
Mounting options:	Foot, inlet & discharge drillings
Noise levels:	63.5dB(A) Free Air, 1 metre
Weight:	3Kg / 6.6Lbs



Outline dimensions:



Please note (1) - all drawings measurements are in millimeters (mm)
Please note (2) - above technical specifications are subject to change

AIR CONTROL INDUSTRIES INC
76 Augusta Rockland Road
Windsor, Maine, ME 04363, USA
t: 207 445 2518 f: 207 445 2497
e: aciinc@aircontrolindustries.com
w: www.aircontrolindustries.com/us