

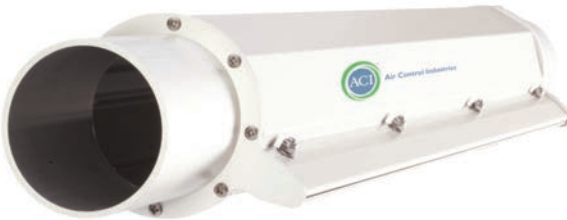


# Air Knife Systems

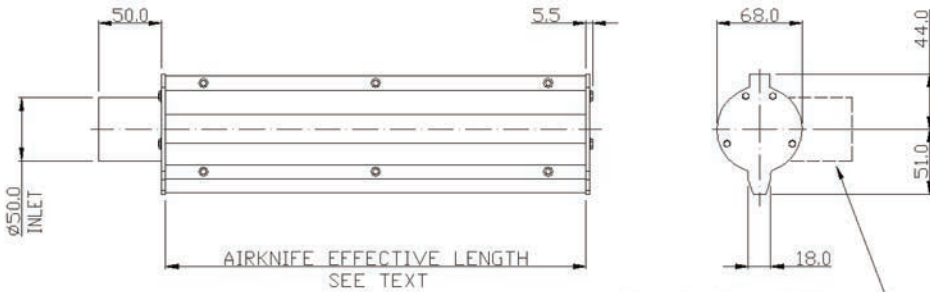
Anodised Aluminium - AK05 / AK08

ACI air knives are a precision engineered plenum chamber. They are designed to produce an efficient, effective, clean, high-velocity air curtain that remove surface debris, dust, water and any other liquids that can form or pool during manufacturing processes.

Powered by a centrifugal blower, ACI air knives are ideal production tools for all surface 'blow-off' and cleaning applications. They are well suited to even the toughest of industrial environments and are available in many configurations and materials.

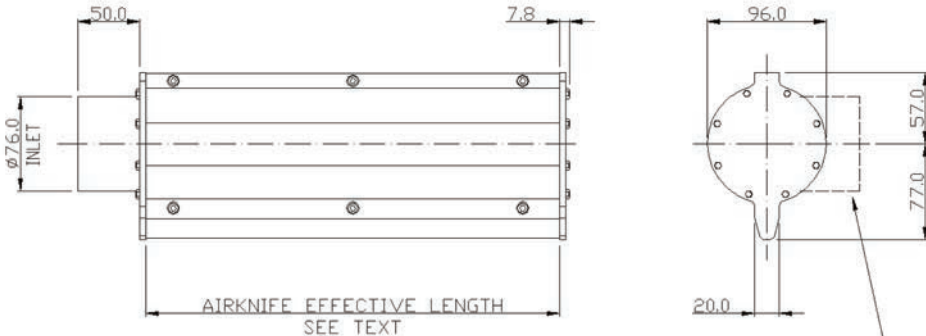


Drawing 1: AK05 Outline



Alternative inlets available along the length of the air knife. See drawings 3, 4 & 5

Drawing 1: AK08 Outline



Alternative inlets available along the length of the air knife. See drawings 3, 4 & 5

Air knife type	Recommended dia. / max length for 1mm slot		
	1 end inlet (mm)	2 end inlets (mm)	multiple inlets
AK05	Ø50mm, up to 450mm long	Ø50mm, up to 900mm long	Ø50mm, up to 3500mm long
AK08	Ø76mm, up to 1200mm long	Ø76mm, up to 2400mm long	Ø76 mm, up to 6000mm long

**Please note** - air knife lengths in increments of 10 mm

**Other features:**

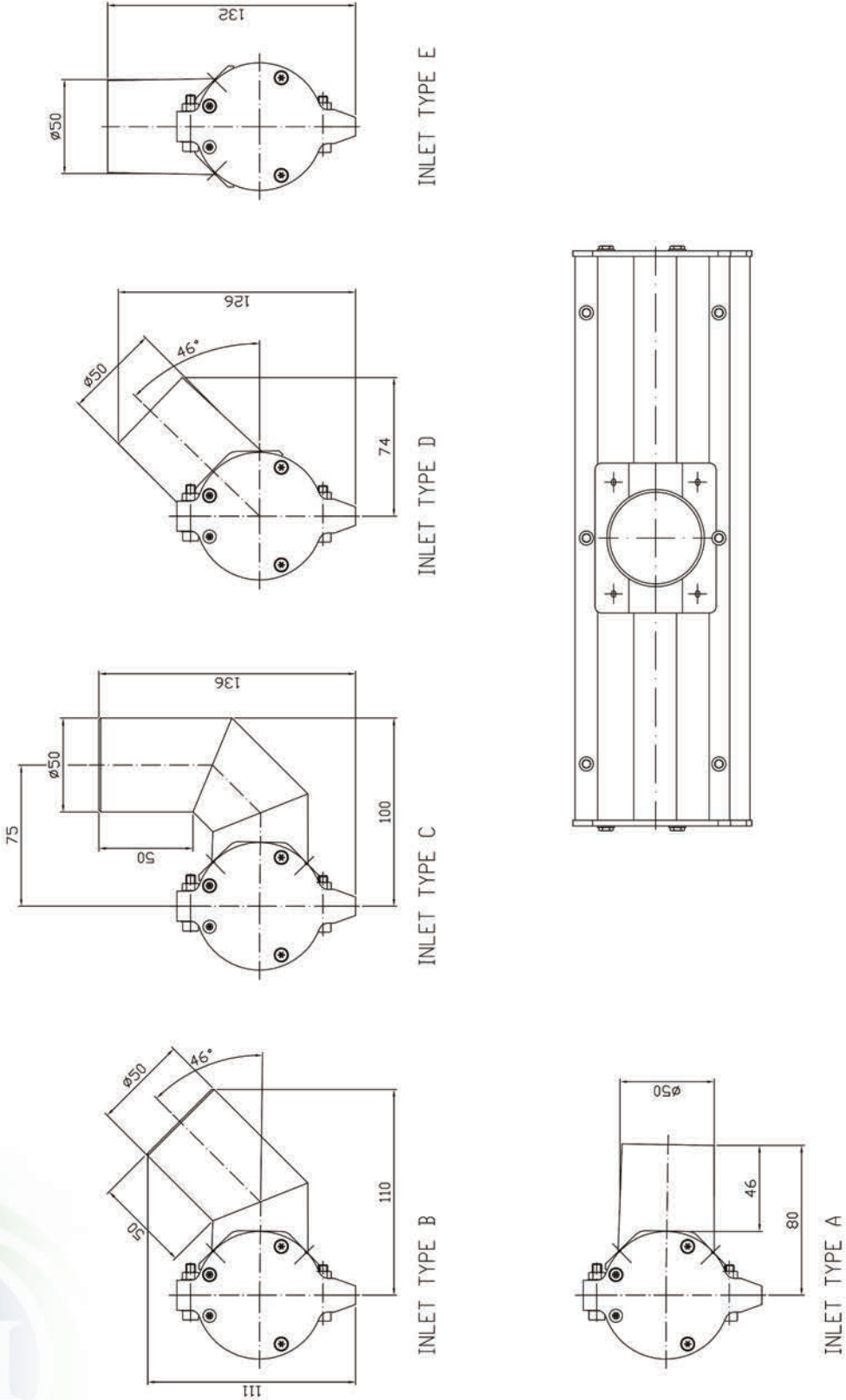
- Materials - anodised aluminium alloy AA25 with stainless steel fittings
- Available in two diameters - 50mm (AK05) and 76mm (AK08)
- Lengths available in 10mm increments
- Various mounting options available, including studs/spigots and tapped holes - see Drawings 3, 4 and 5 for options
- Longer inlets available. (Note - multiple inlets may be required for longer air knives)
- Weights: AK05 = 0.11Kg, plus 2kg per metre / AK08 is 0.5Kg, plus 3Kg per metre



# Air Knife Systems

Anodised Aluminium - AK05 / AK08

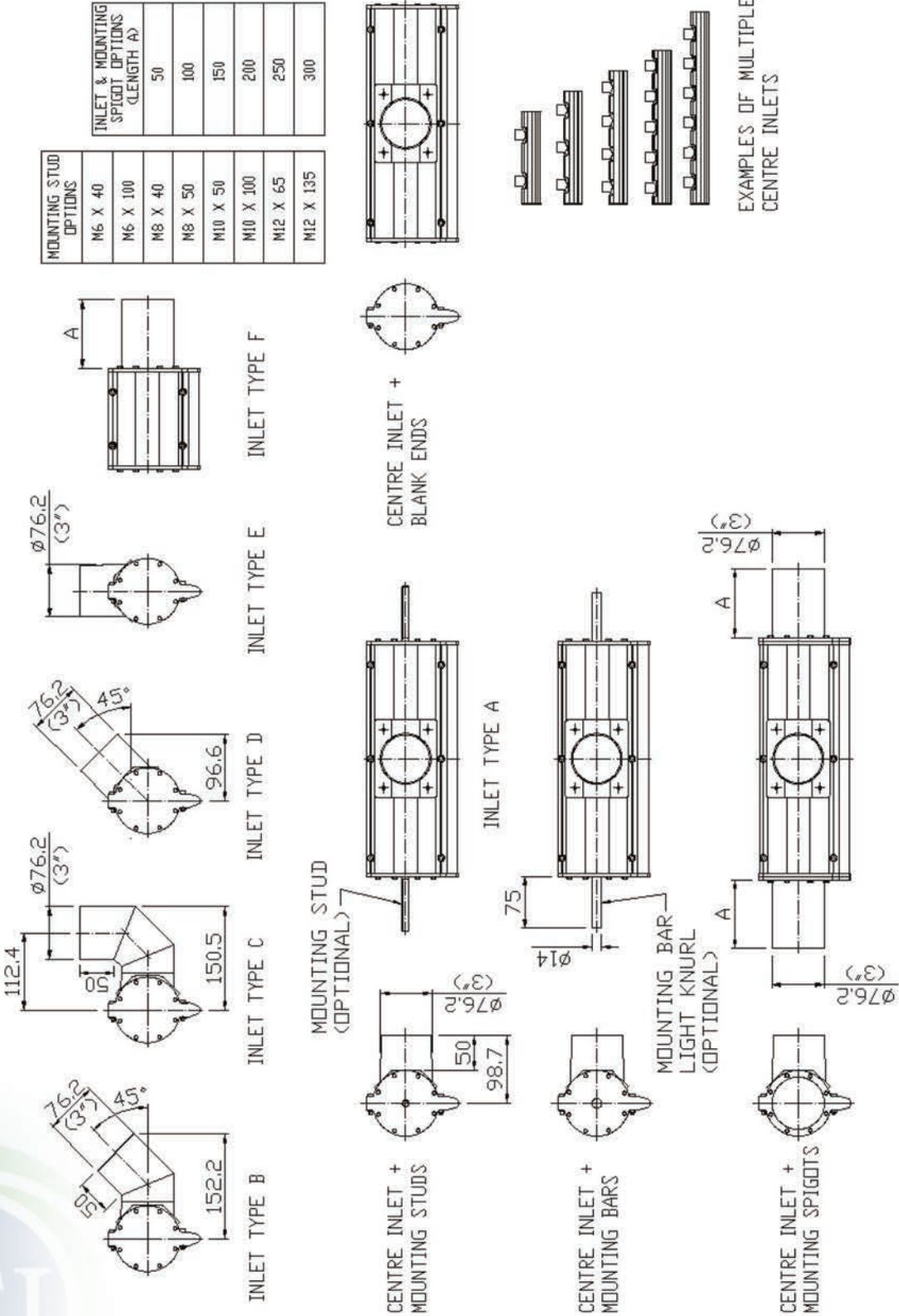
Drawing 3: AK05 Inlet Options



# Air Knife Systems

Anodised Aluminium - AK05 / AK08

**Drawing 4: AK08 Inlet Options**



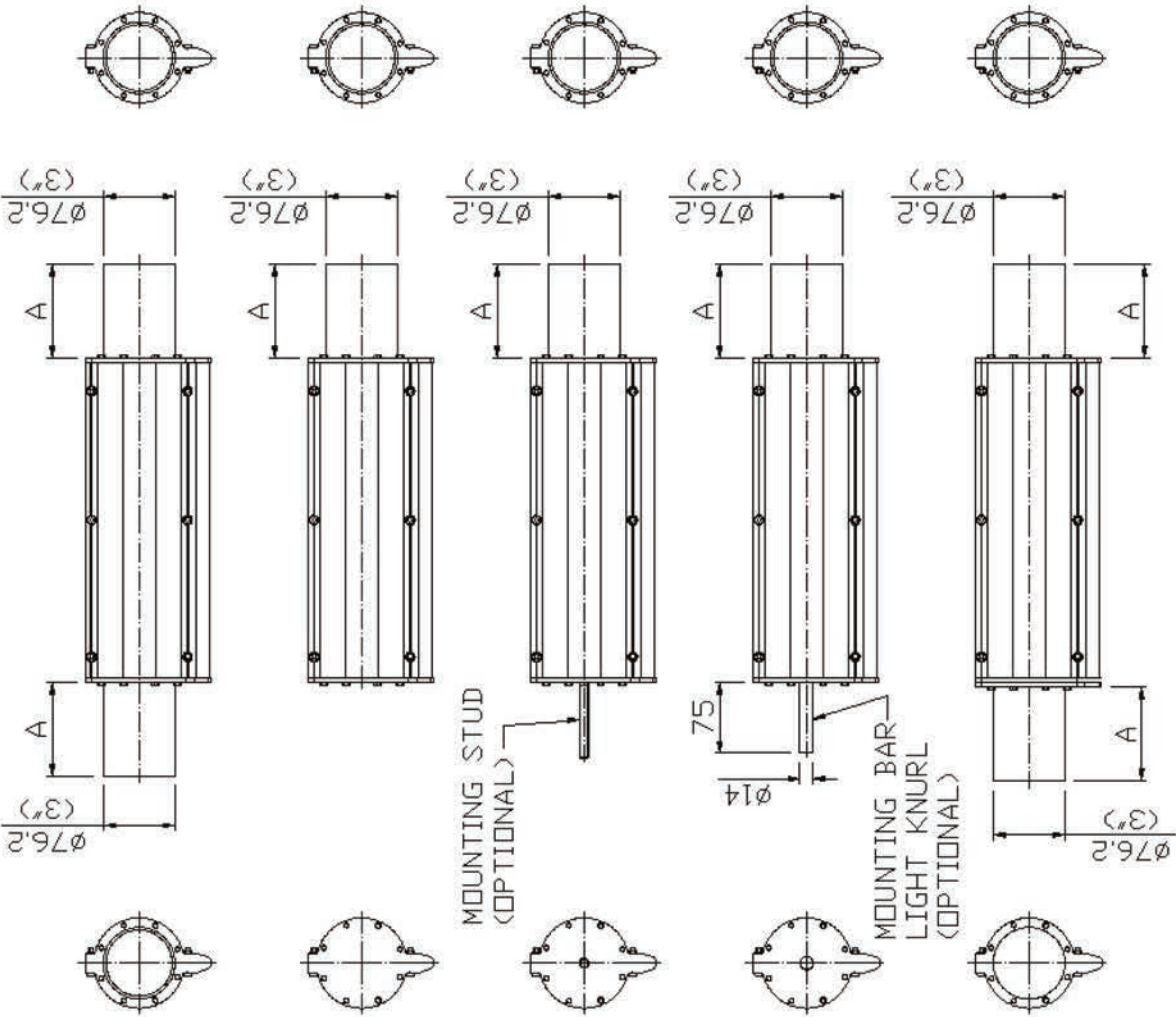
# Air Knife Systems

Anodised Aluminium - AK05 / AK08

**Drawing 5: AK08 Inlet / Mounting Options**

MOUNTING STUD OPTIONS
M6 X 40
M6 X 100
M8 X 40
M8 X 50
M10 X 50
M10 X 100
M12 X 65
M12 X 135

INLET & MOUNTING SPIGOT OPTIONS (LENGTH A)
50
100
150
200
250
300



INLET BOTH ENDS

END INLET +  
BLANK END

END INLET +  
MOUNTING STUD

END INLET +  
MOUNTING BAR

END INLET +  
MOUNTING SPIGOT