



Air Control Industries

DRI-Line Series Air Knives

Air Knife Overview:

ACI Air Knives are a proven drying solution for many applications within the Beverage and Filling Industries.



They can be used on their own, or used in conjunction with other ACI products such as JetPlate, Can Drying Tunnels Neck and Cap dryers.

The benefits of ACI Air Knives include their ability to deliver a continuous curtain of air at an even pressure over the whole product. In addition angled adjustment permits air delivery to be varied to maximise efficiency according to the product dimensions.

Stainless steel (304 or 316) Air Knives

Air Knives commonly employed in the Food and Beverage Industry and will therefore be regularly subjected to thorough clean down operations.

ACI are therefore able to offer Air Knives fabricated from either 304 or dairy standard 316 Stainless Steel, a material which can readily withstand these sorts of environment.

All of ACI's air knife designs can be readily adapted to suit specific individual customer needs.

- Material Stainless Steel 304 S11 1-4307 BSI449
- Various mounting and inlet configurations available
- Air Knife lengths available in 10mm increments
- Alternative positions for inlets available

Anodised Aluminium Air Knives can also be supplied and adapted to suit individual customer needs. Although this material does not have the same hard wearing characteristics of Stainless Steel, they can still be a cost-effective solution for many Food and Beverage applications.

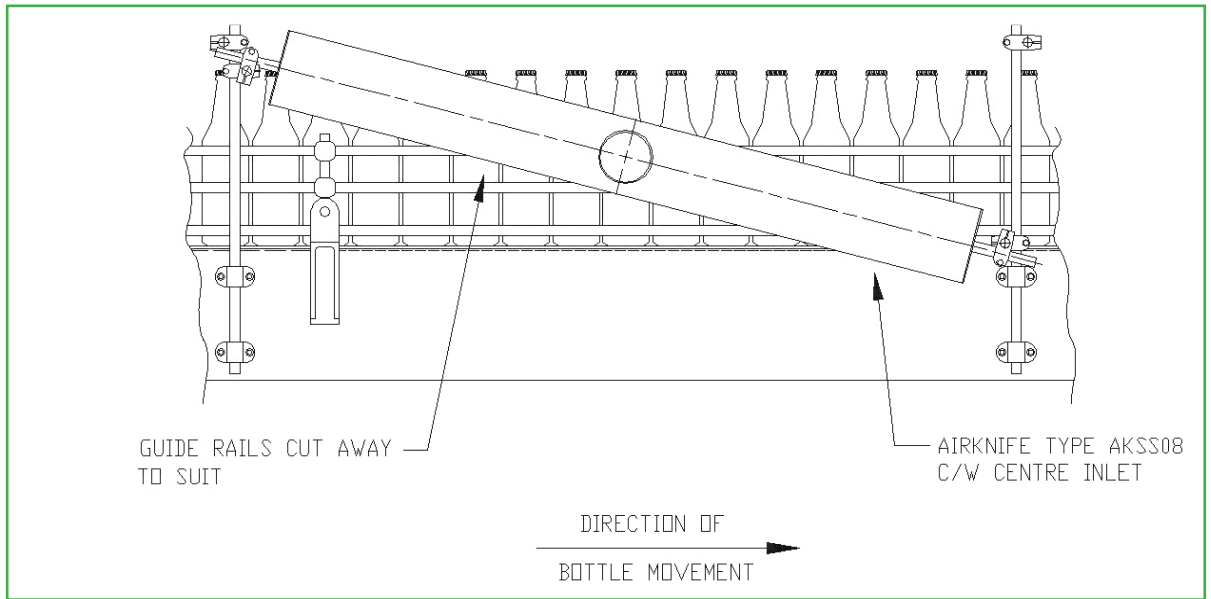
Drying Systems for the Filling Industry
www.bottlecandrying.com



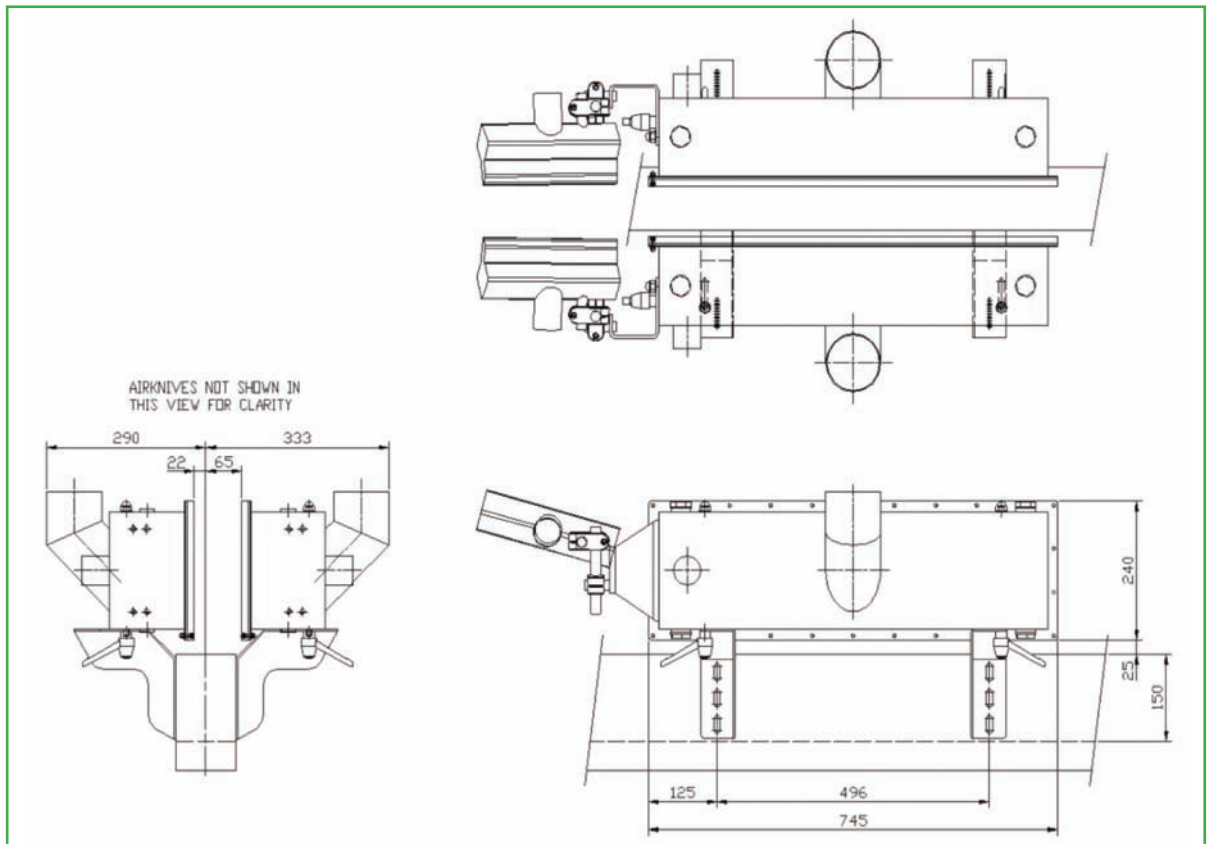
Air Control Industries

DRI-Line Series Air Knives

Air Knife outline drawing (Stainless Steel):



Air Knife & JetPlate outline drawing:



Ref: DRI-Line DS 2014/V1

Please note (1) - all drawings measurements are in millimeters (mm)
Please note (2) - above technical specifications are subject to change

Air Control Industries Ltd
Weycroft Avenue, Millwey Rise Industrial Estate,
Axminster, Devon, EX13 5HU, United Kingdom
Tel: +44 (0)1297 529 242 Fax: +44 (0)845 5000 502
Email: sales@aircontrolindustries.com

www.bottlecandrying.com