

# Centrifugal Fans

A comprehensive range of curved forward bladed centrifugal fans



ACI's fan and blower units are available in a variety of designs including 1 and 3Ph; 400Hz; and ATEX rated versions. All units are engineered for the most demanding applications and can be readily supplied with appropriate control devices and accessories.

#### Key Performance Figures:

- Flow rates up to 4000m<sup>3</sup>/hr (2350cfm)
- Pressure up to 48mBar (19In.Swg)
- 0.012kW (0.016HP) to 22kW (29.5HP)
- Reliable and robust construction
- Many configurations / add-ons available
- ATEX versions available

#### Typical Applications

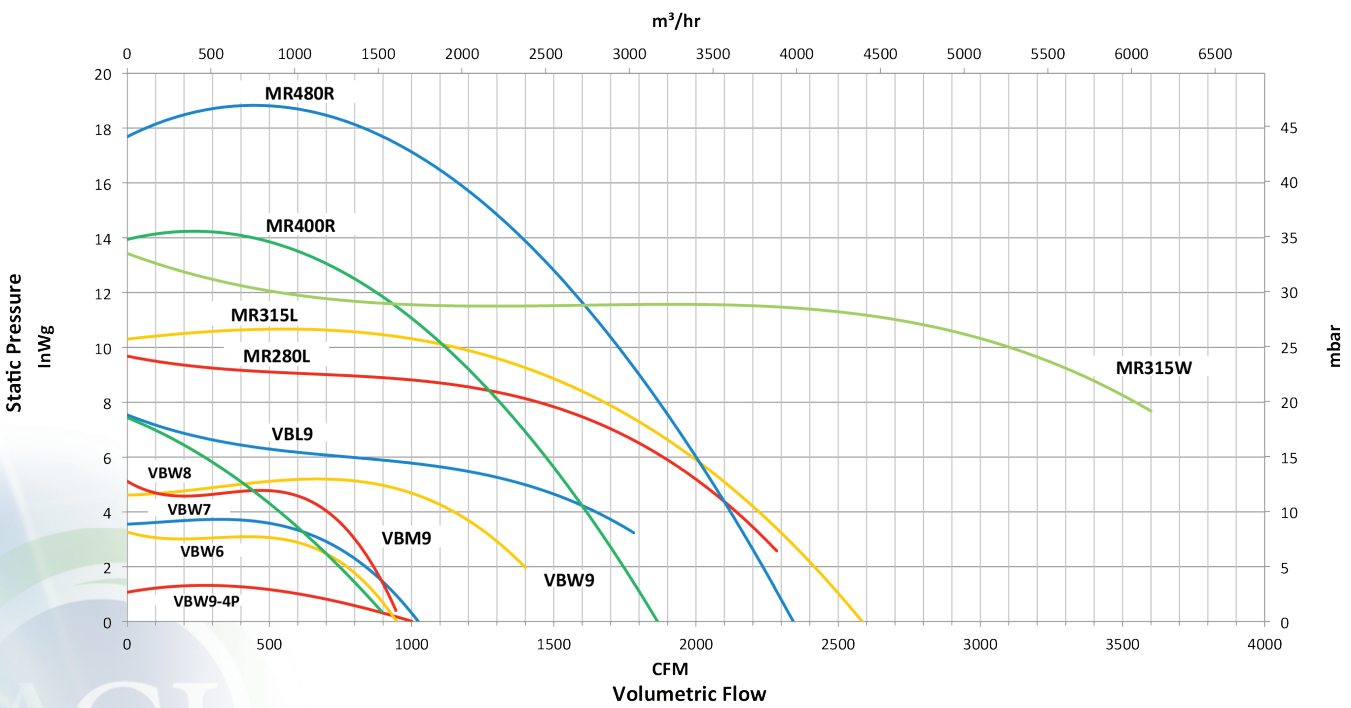
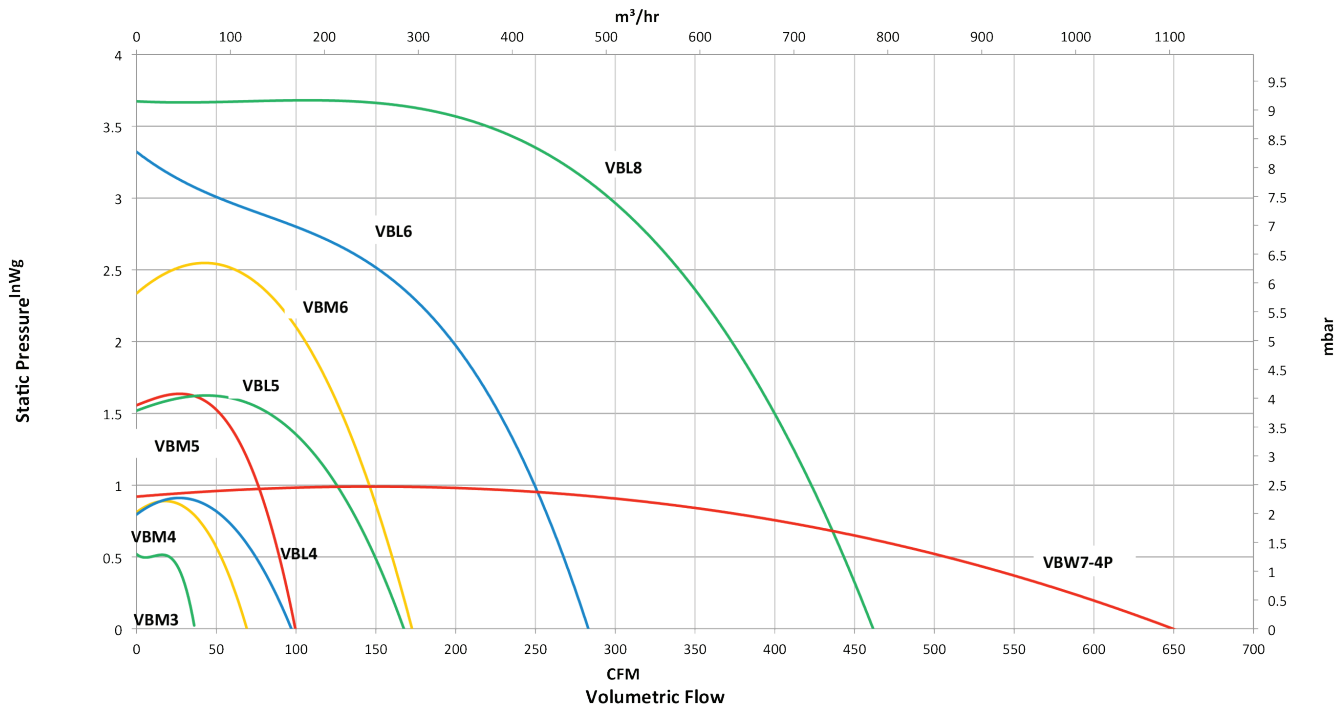
- General Fume Extraction
- Degreasing - Fume Extraction
- Solder Fume Extraction
- Screen Print Dryers
- Crop Drying / Conditioning
- Gas Burners
- Inflatables
- UV Lamp Cooling

# Centrifugal Fans

A comprehensive range of curved forward bladed centrifugal fans

### 50Hz Performance Curves:

The illustrated curves are for 240V 1Ph 50Hz and for selection purposes only. For full performance details please refer to the specific data sheets.

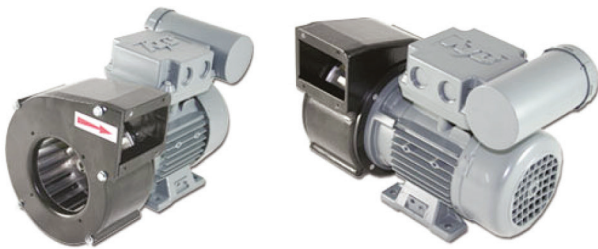


**Air Control Industries Ltd**  
 Weycroft Avenue, Millwey Rise Industrial Estate,  
 Axminster, Devon, EX13 5HU, United Kingdom  
 Tel: +44(0)1297 529242 Fax: +44(0)1297 529241  
 Email: sales@aircontrolindustries.com

# Centrifugal Fan VBL4

## Single Inlet Centrifugal Fan

### General Characteristics:

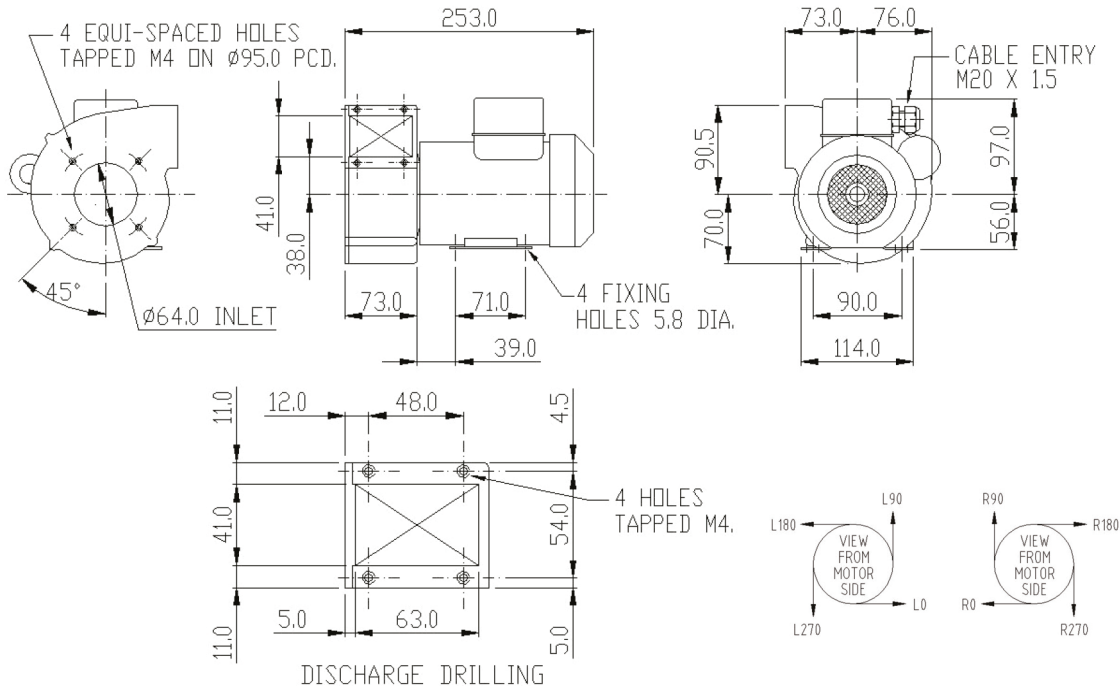


Please note - image above may not be representative of the unit supplied]

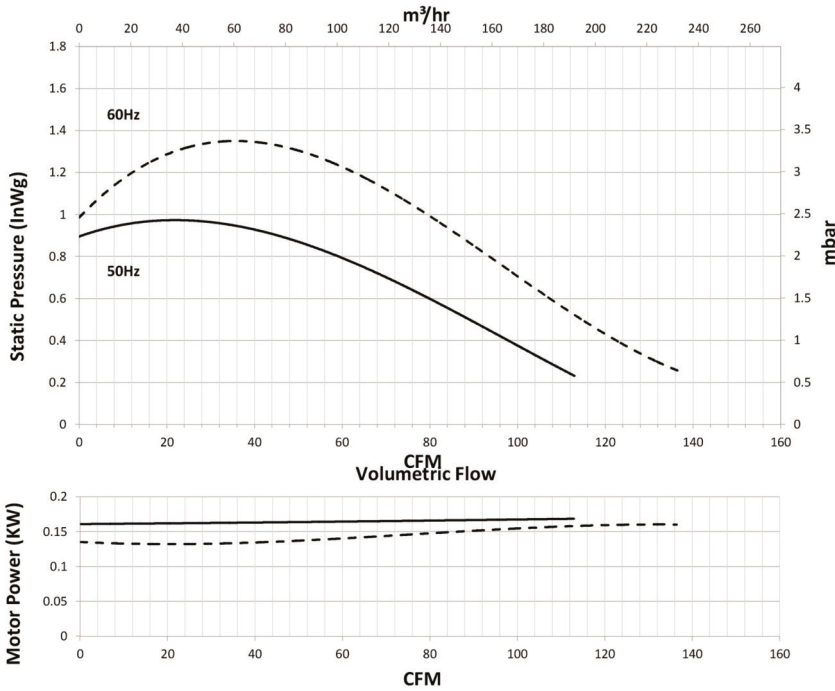
<b>Motor type:</b>	Shaded pole, IP44
<b>Nominal supply:</b>	220/240V or 115V IPh 50Hz
<b>Options:</b>	Inlet & discharge guards, Spigots
<b>Materials:</b>	Fan case: Cast aluminium LM6 Impellers: Aluminium 1200 H14
<b>Finishes:</b>	Unpainted/Stove enamel (black) as std
<b>Mounting options:</b>	Inlet & discharge tappings, Motor feet, Pedestals
<b>Noise levels:</b>	61dB(A) Free Air, 1M
<b>Weight:</b>	4.4Kgs / 9Lbs
<b>Motor variations:</b>	ATEX, CE, CSA, UL available

### Outline dimensions:

[note: motor shown is for 50Hz performance.  
Motor dimensions for 60Hz operation may vary]



Please note (1) - all drawings measurements are in millimeters (mm)  
Please note (2) - above technical specifications are subject to change



# Centrifugal Fan VBL5

## Single Inlet Centrifugal Fan

### General Characteristics:



Please note - image above may not be representative of the unit supplied]

**Motor type:** Squirrel cage induction motor IP44 as std, IP55 available

**Nominal supply:** 220/240V or 115V 1Ph 50/60Hz  
380/420VY / 200/240VD 3Ph 50hz  
440/480VY / 250/280VD 3Ph 60Hz

**Options:** Inlet & discharge guards, Inlet filters, Spigots

**Materials:** Fancase: Cast aluminium LM6  
Impellers: Aluminium 1200 H14

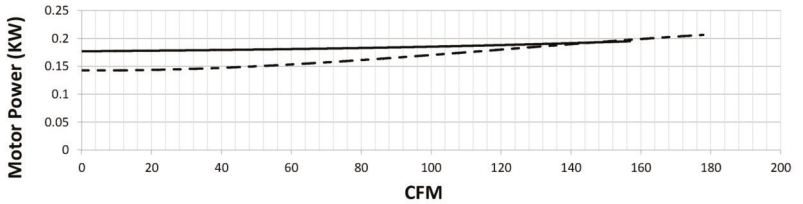
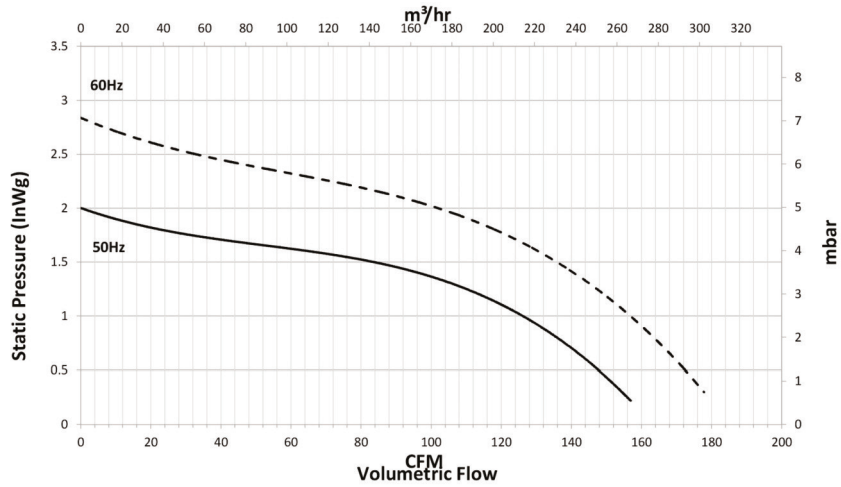
**Finishes:** Unpainted/Stove enamel (black) as std

**Mounting options:** Inlet & discharge tappings, Motor feet, Pedestals

**Noise levels:** 70dB(A) Free Air, 1M

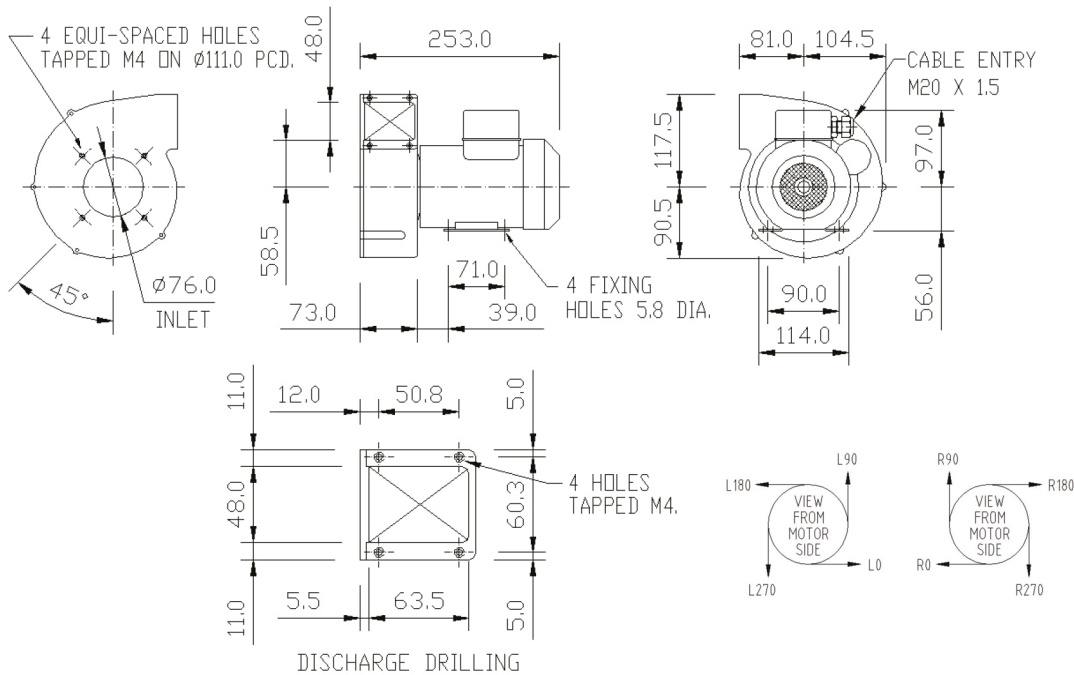
**Weight:** 5Kgs / 11Lbs

**Motor variations:** ATEX, CE, CSA, UL available



### Outline dimensions:

[note: motor shown is for 50Hz performance.  
Motor dimensions for 60Hz operation may vary]



Please note (1) - all drawings measurements are in millimeters (mm)  
Please note (2) - above technical specifications are subject to change

### Air Control Industries Ltd

Weycroft Avenue, Millwey Rise Industrial Estate,  
Axminster, Devon, EX13 5HU, United Kingdom  
Tel: +44(0)1297 529242 Fax: +44(0)1297 529241  
Email: sales@aircontrolindustries.com

[www.aircontrolindustries.com](http://www.aircontrolindustries.com)

# Centrifugal Fan VBL6

## Single Inlet Centrifugal Fan

### General Characteristics:



Please note - image above may not be representative of the unit supplied]

**Motor type:** Squirrel cage induction motor IP44 as std, IP55 available

**Nominal supply:** 220/240V or 115V 1Ph 50Hz  
115/230V 1Ph 50/60Hz  
380/420VY / 220/240VD 3Ph 50Hz  
440/480VY / 250/280VD 3Ph 60Hz

**Options:** Inlet & discharge guards, Inlet filters, Spigots

**Materials:** Fancase: Cast aluminium LM6  
Impellers: Galvanised sheet steel

**Finishes:** Unpainted/Stove enamel (black) as std

**Mounting options:** Motor feet or Pedestal

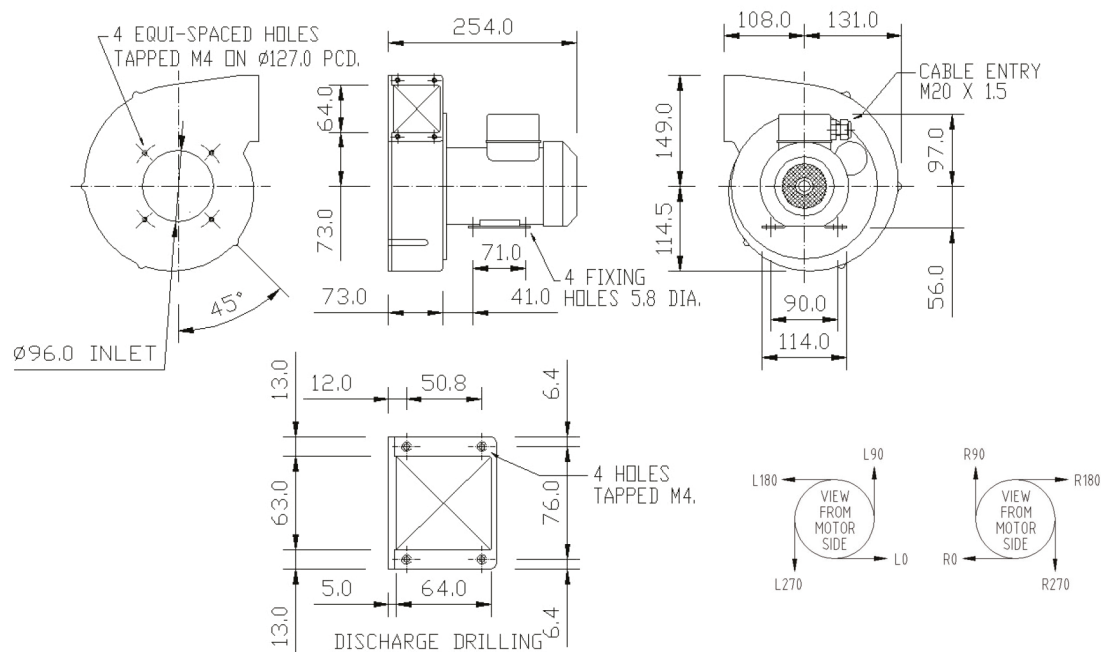
**Noise levels:** 76.5dB(A) Free Air, 1M

**Weight:** 6Kgs / 13Lbs

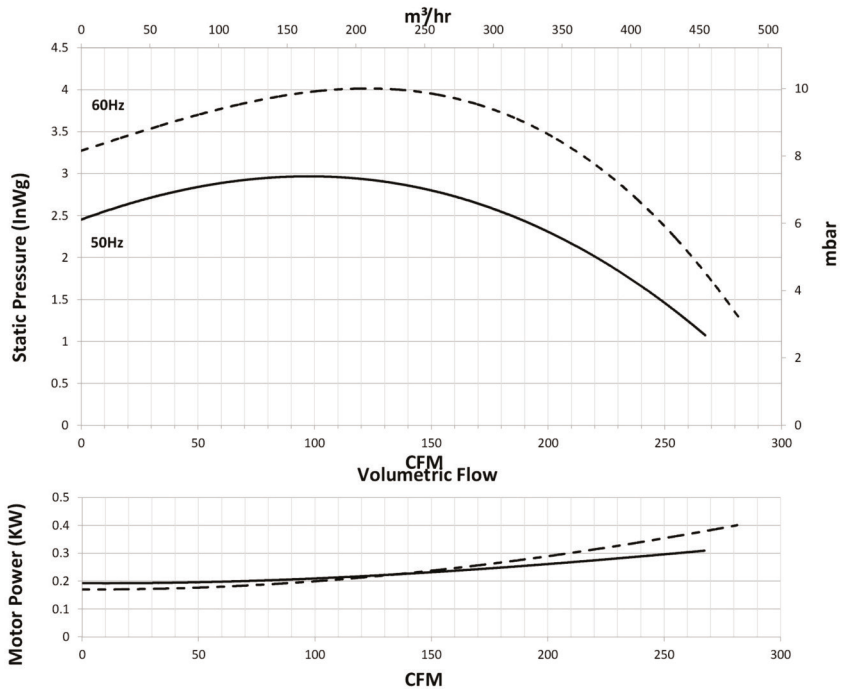
**Motor variations:** ATEX, CE, CSA, UL available

### Outline dimensions:

[note: motor shown is for 50Hz performance.  
Motor dimensions for 60Hz operation may vary]



Please note (1) - all drawings measurements are in millimeters (mm)  
Please note (2) - above technical specifications are subject to change



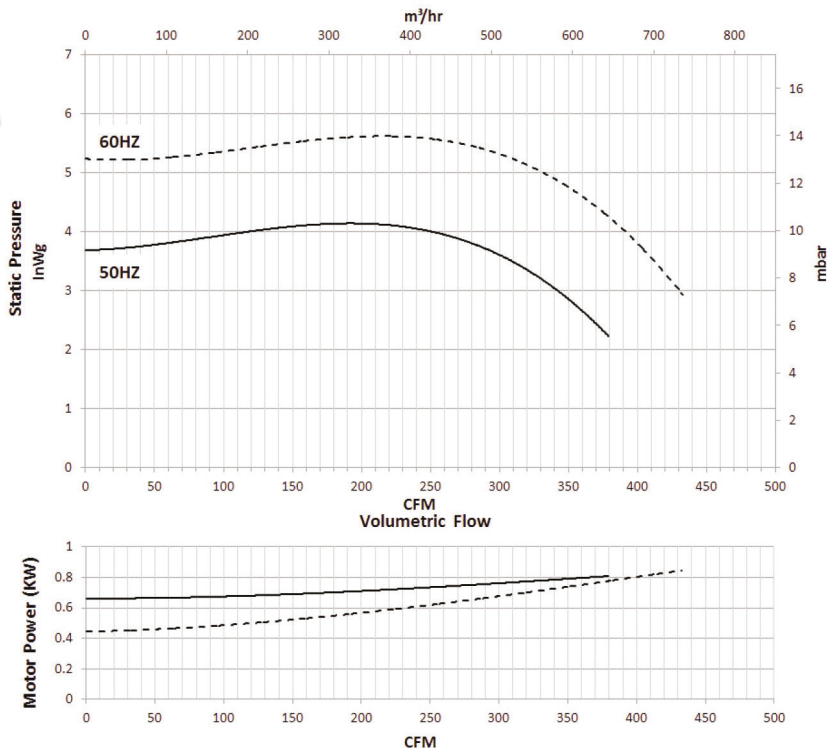
# Centrifugal Fan VBL8

## Single Inlet Centrifugal Fan

### General Characteristics:

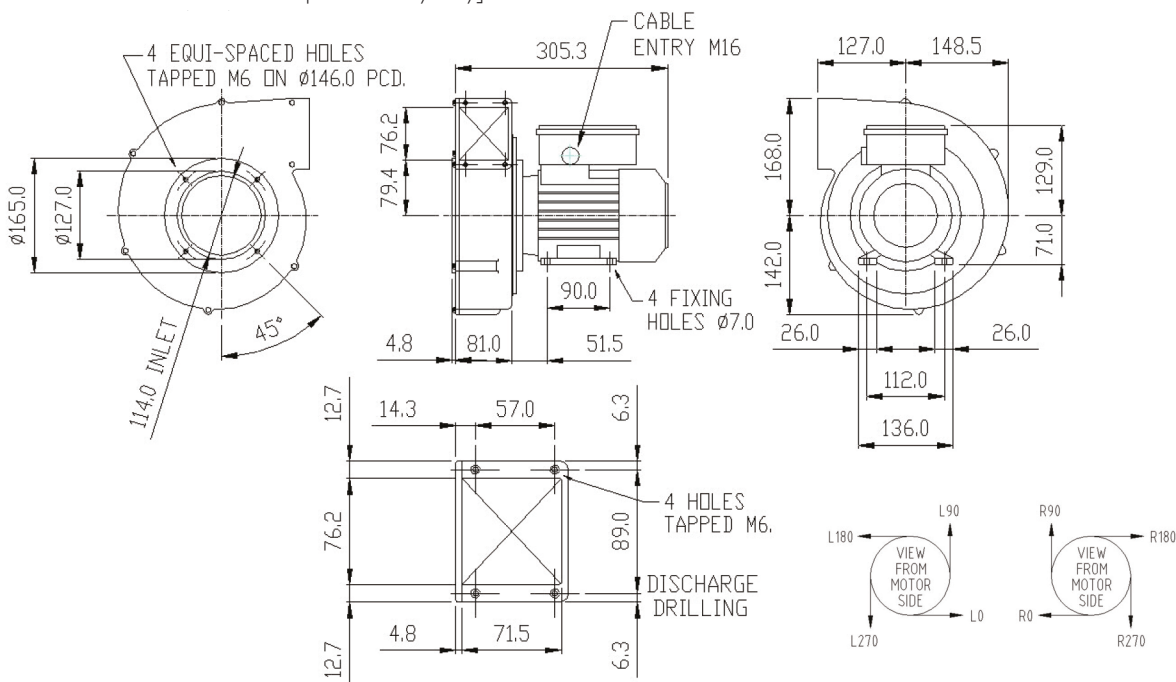


<b>Motor type:</b>	Squirrel cage induction motor IP55 as std
<b>Nominal supply:</b>	220/240V or 115V 1Ph 50/60Hz 380/420VY / 220/240VD 3Ph 50hz 440/480VY / 250/280VD 3Ph 60Hz
<b>Options:</b>	Inlet & discharge guards, Inlet filters, Spigots
<b>Materials:</b>	Fancase: Cast aluminium LM6 Impellers: Aluminium 1200 H14
<b>Finishes:</b>	Unpainted / Stove enamel (black) as std
<b>Mounting options:</b>	Motor feet or Pedestal
<b>Noise levels:</b>	78dB(A) Free Air, 1M
<b>Weight:</b>	12Kgs / 26Lbs
<b>Motor variations:</b>	ATEX, CE, CSA, UL available



### Outline dimensions:

[note: motor shown is for 50Hz performance.  
Motor dimensions for 60Hz operation may vary]



**Please note:**

- 1 - all drawings measurements are in millimeters (mm)
- 2 - above technical specifications are subject to change
- 3 - Images used may not be representative of the fan supplied

# Centrifugal Fan VBL9

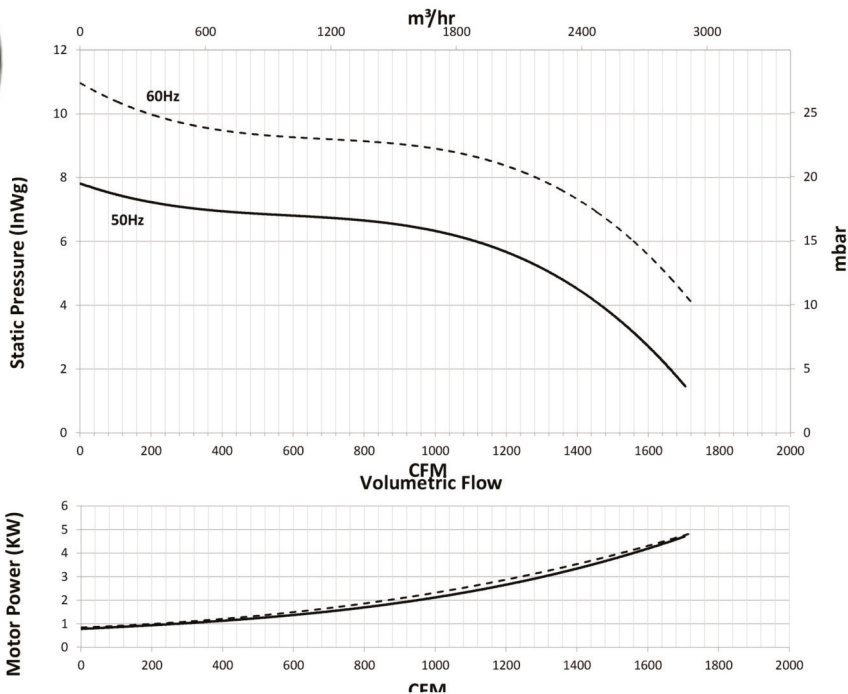
## Single Inlet Centrifugal Fan

### General Characteristics:



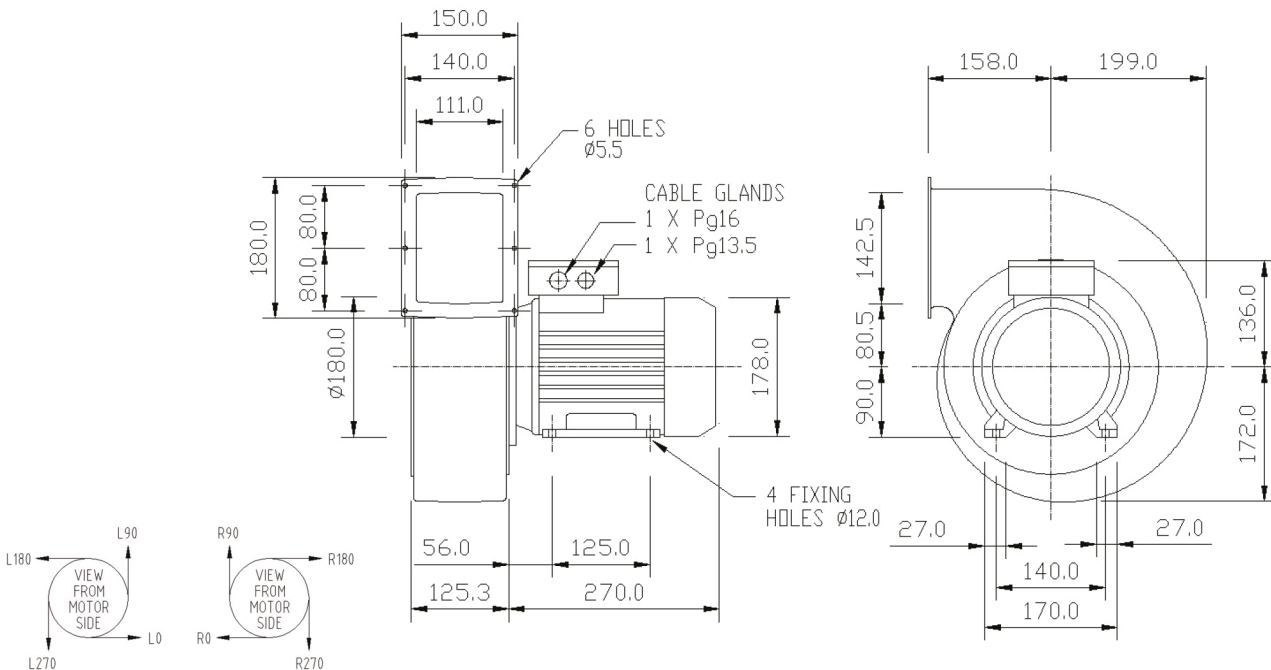
Please note - image above may not be representative of the unit supplied]

<b>Motor type:</b>	Squirrel cage induction motor IP55 as std
<b>Nominal supply:</b>	380/420VY / 200/240VD 3Ph 50hz 440/480VY / 250/280VD 3Ph 60Hz
<b>Options:</b>	Inlet & discharge guards, Inlet filters, Spigots
<b>Materials:</b>	Fancase: Cast aluminium LM6 Impellers: Galvanised sheet steel
<b>Finishes:</b>	Unpainted/Stove enamel (black) as std
<b>Mounting options:</b>	Motor feet or Pedestal
<b>Noise levels:</b>	95dB(A) Free Air, 1M
<b>Weight:</b>	22Kgs / 49Lbs
<b>Motor variations:</b>	ATEX, CE, CSA, UL available



### Outline dimensions:

[note: motor shown is for 50Hz performance. Motor dimensions for 60Hz operation may vary]



Please note (1) - all drawings measurements are in millimeters (mm)  
Please note (2) - above technical specifications are subject to change

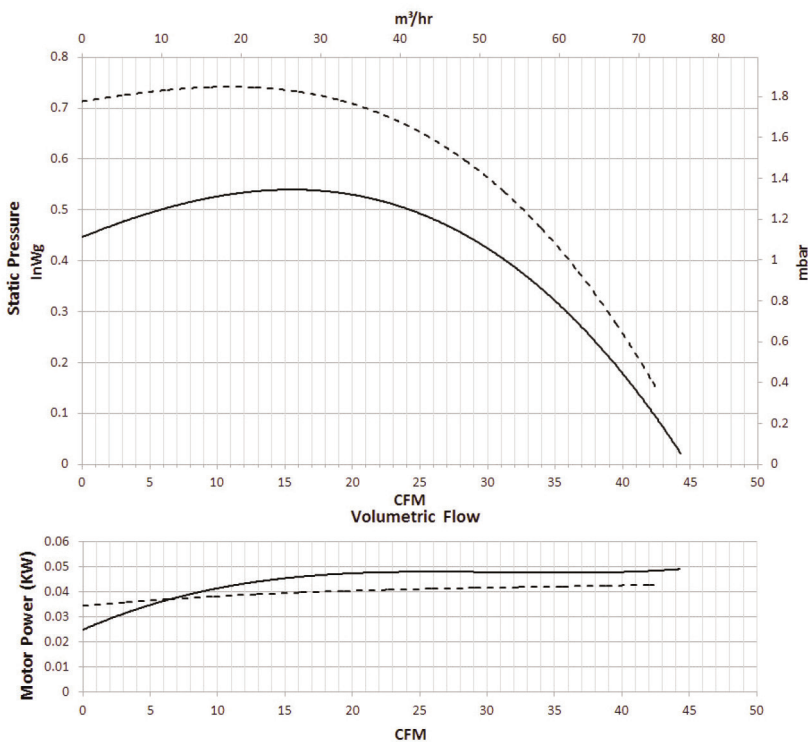
# Centrifugal Fan VBM3

## Single Inlet Centrifugal Fan

### General Characteristics:

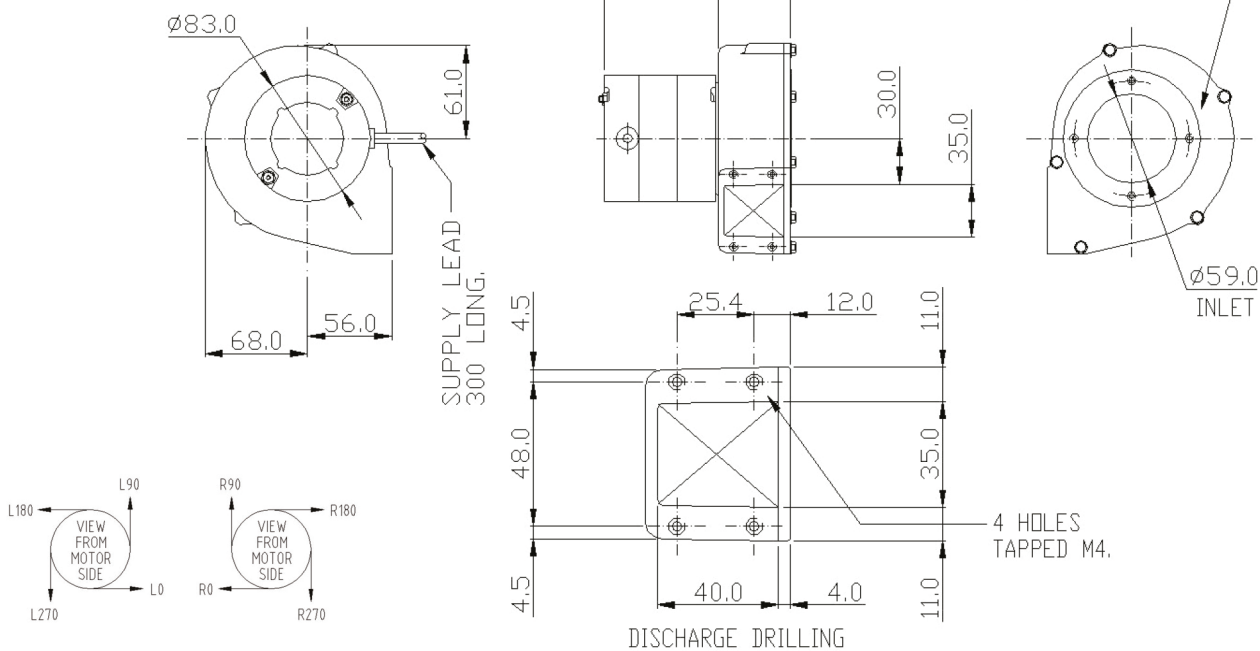


<b>Motor type:</b>	Shaded pole, IP44
<b>Nominal supply:</b>	240V 1Ph 50Hz 110V 1Ph 60Hz
<b>Options:</b>	Inlet & discharge guards
<b>Materials:</b>	Fancase: Cast aluminium LM6 Impellers: Aluminium I200 H14
<b>Finishes:</b>	Unpainted/Stove enamel (black) as std
<b>Mounting options:</b>	Inlet & discharge tappings
<b>Noise levels:</b>	72.5dB(A) Free Air, 1M
<b>Weight:</b>	1.8Kgs / 3.9Lbs
<b>Motor variations:</b>	CE, CSA, UL available



### Outline dimensions:

[note: motor shown is for 50Hz performance. Motor dimensions for 60Hz operation may vary]



### Please note:

- 1 - all drawings measurements are in millimeters (mm)
- 2 - above technical specifications are subject to change
- 3 - Images used may not be representative of the fan supplied

# Centrifugal Fan VBM4

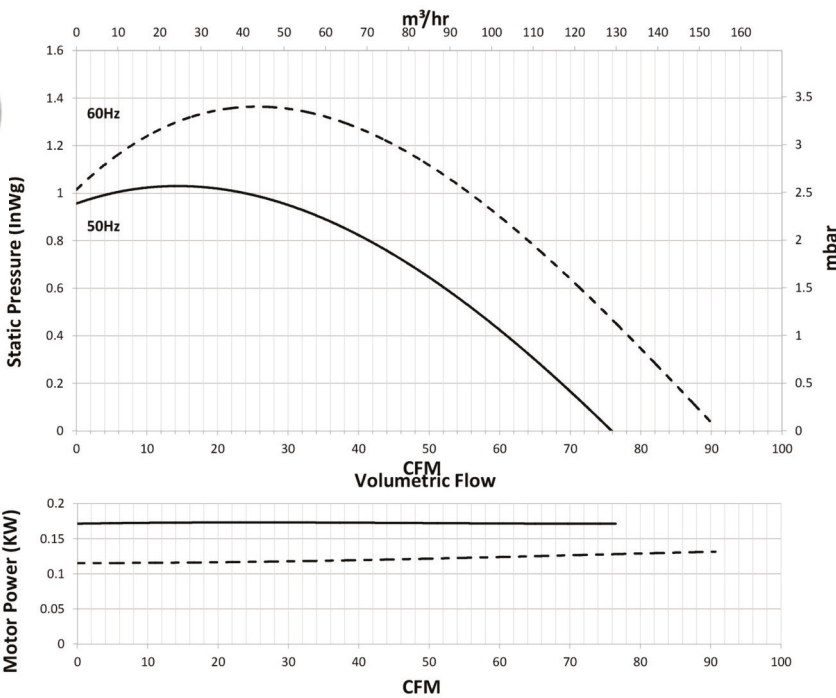
## Single Inlet Centrifugal Fan

### General Characteristics:



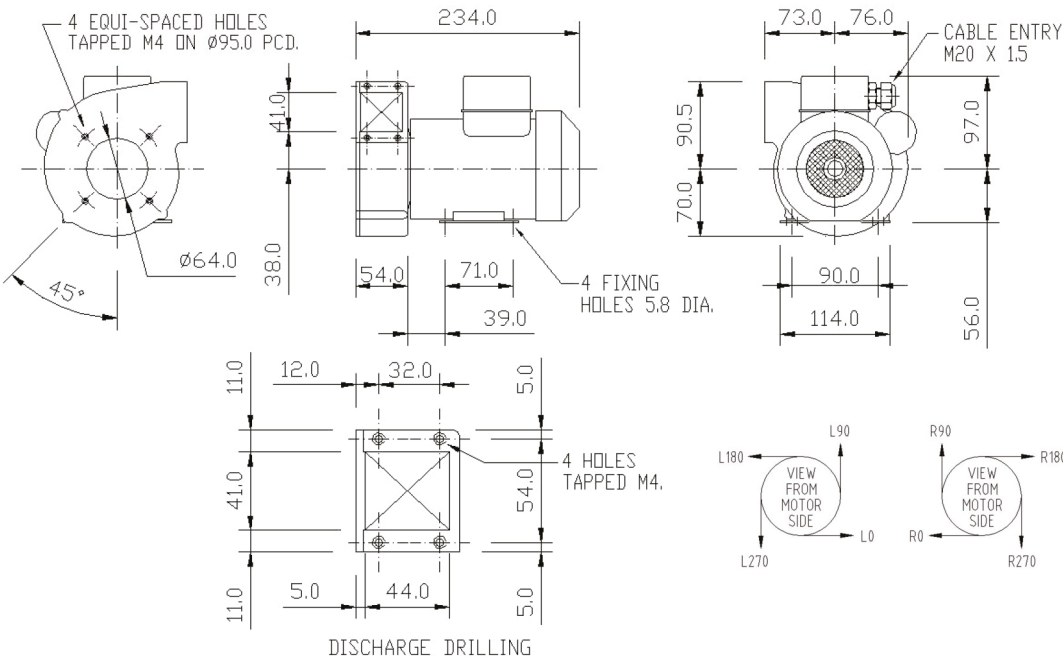
Please note - image above may not be representative of the unit supplied]

<b>Motor type:</b>	Squirrel cage induction motor IP44 as std, IP55 available
<b>Nominal supply:</b>	240V 1Ph 50Hz 110V 1Ph 60Hz 380-420 / 220-240V 3Ph 50/60Hz
<b>Options:</b>	Inlet & discharge guards, Inlet filters, Spigots, Heat spinners
<b>Materials:</b>	Fan case: Cast aluminium LM6 Impellers: Aluminium 1200 H14
<b>Finishes:</b>	Unpainted/Stove enamel (black) as std
<b>Mounting options:</b>	Inlet & discharge tappings, Motor feet, Pedestals
<b>Noise levels:</b>	67.0dB(A) Free Air, 1M
<b>Weight:</b>	4Kgs / 8.8Lbs
<b>Motor variations:</b>	ATEX, CE, CSA, UL available



### Outline dimensions:

[note: motor shown is for 50Hz performance. Motor dimensions for 60Hz operation may vary]



Please note (1) - all drawings measurements are in millimeters (mm)  
Please note (2) - above technical specifications are subject to change

**Air Control Industries Ltd**  
Weycroft Avenue, Millwey Rise Industrial Estate,  
Axminster, Devon, EX13 5HU, United Kingdom  
Tel: +44(0)1297 529242 Fax: +44(0)1297 529241  
Email: sales@aircontrolindustries.com

[www.aircontrolindustries.com](http://www.aircontrolindustries.com)

# Centrifugal Fan VBM5

## Single Inlet Centrifugal Fan

### General Characteristics:

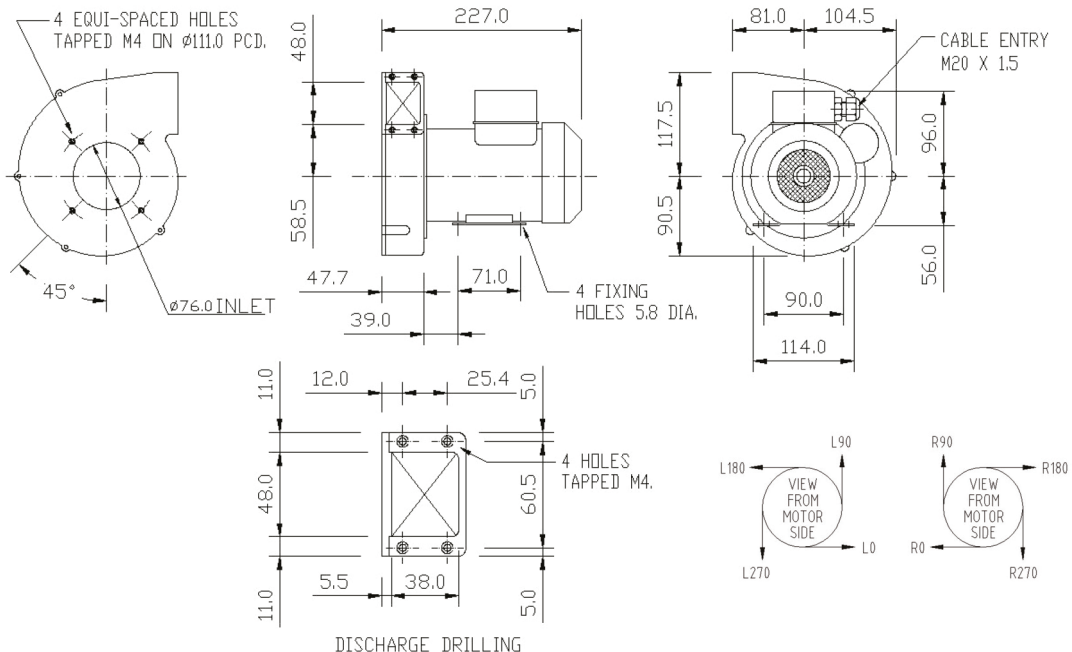


Please note - image above may not be representative of the unit supplied]

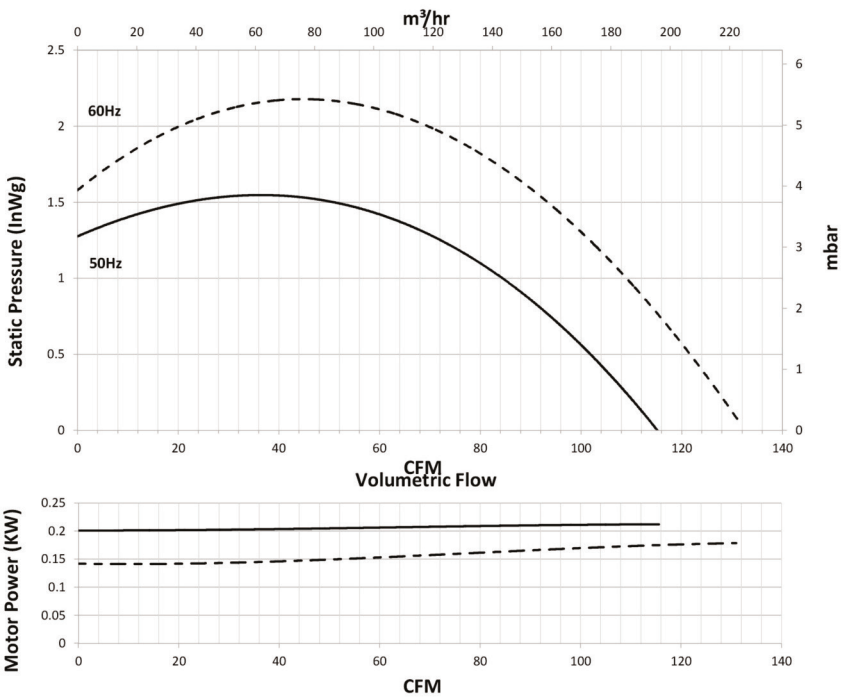
<b>Motor type:</b>	Squirrel cage induction motor IP44 as std, IP55 available
<b>Nominal supply:</b>	230V 1Ph 50/60Hz 110/115V 1Ph 50/60Hz Dual Voltage 3Ph 50/60Hz
<b>Options:</b>	Inlet & discharge guards, Inlet filters, Spigots, Heat spinners
<b>Materials:</b>	Fan case: Cast aluminium LM6 Impellers: Aluminium 1200 H14
<b>Finishes:</b>	Unpainted/Stove enamel (black) as std
<b>Mounting options:</b>	Motor feet or Pedestals
<b>Noise levels:</b>	70dB(A) Free Air, 1M
<b>Weight:</b>	5Kgs / 11Lbs
<b>Motor variations:</b>	ATEX, CE, CSA, UL available

### Outline dimensions:

[note: motor shown is for 50Hz performance.  
Motor dimensions for 60Hz operation may vary]



Please note (1) - all drawings measurements are in millimeters (mm)  
Please note (2) - above technical specifications are subject to change



# Centrifugal Fan VBM6

## Single Inlet Centrifugal Fan

### General Characteristics:

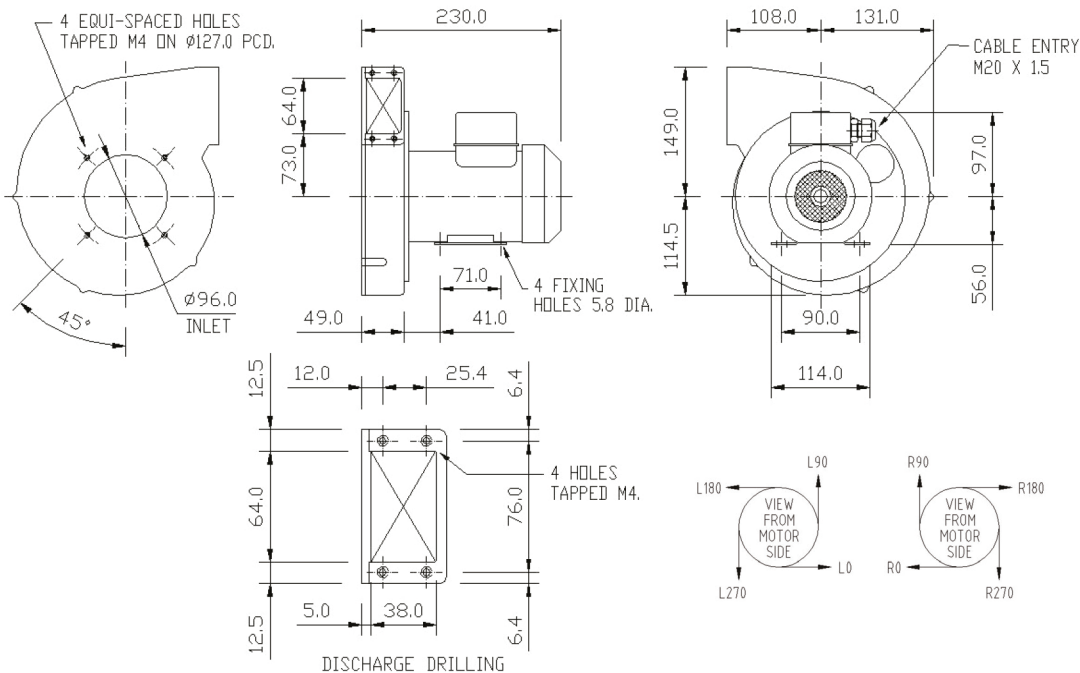


Please note - image above may not be representative of the unit supplied]

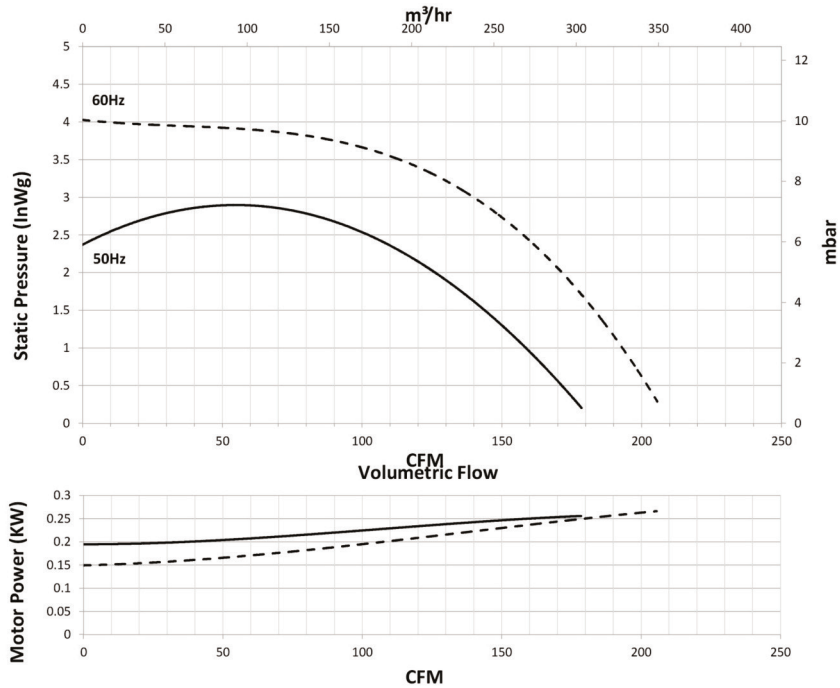
<b>Motor type:</b>	Squirrel cage induction motor IP44 as std, IP55 available
<b>Nominal supply:</b>	230V 1Ph 50/60Hz 110/115V 1Ph 50/60Hz Dual Voltage 3Ph 50/60Hz
<b>Options:</b>	Inlet & discharge guards, Inlet filters, Spigots, Heat spinners
<b>Materials:</b>	Fan case: Cast aluminium LM6 Impellers: Aluminium 1200 H14
<b>Finishes:</b>	Unpainted/Stove enamel (black) as std
<b>Mounting options:</b>	Motor feet or Pedestals
<b>Noise levels:</b>	74.5dB(A) Free Air, 1M
<b>Weight:</b>	6Kgs / 13Lbs
<b>Motor variations:</b>	ATEX, CE, CSA, UL available

### Outline dimensions:

[note: motor shown is for 50Hz performance.  
Motor dimensions for 60Hz operation may vary]



Please note (1) - all drawings measurements are in millimeters (mm)  
Please note (2) - above technical specifications are subject to change



# Centrifugal Fan VBM9

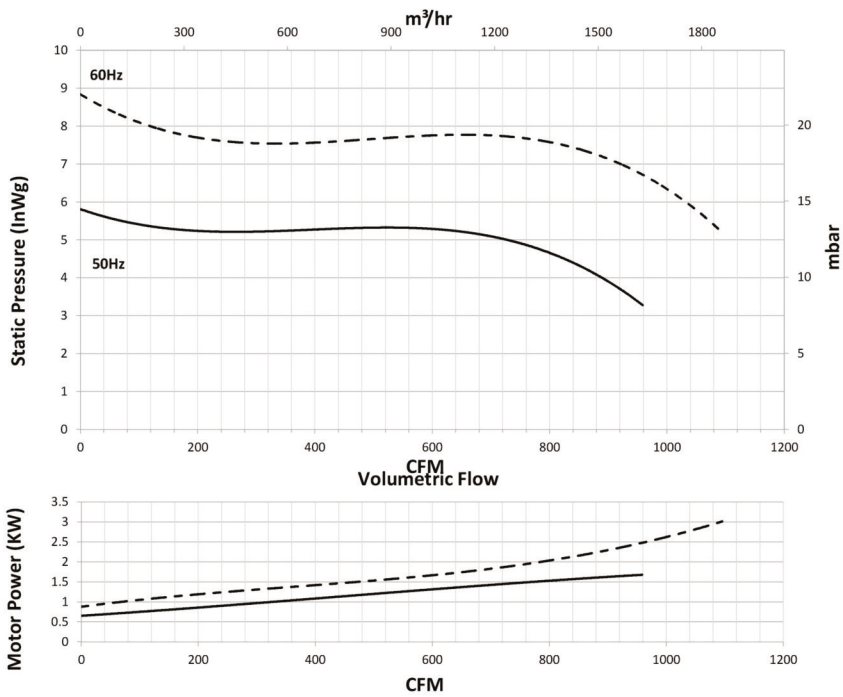
## Single Inlet Centrifugal Fan

### General Characteristics:



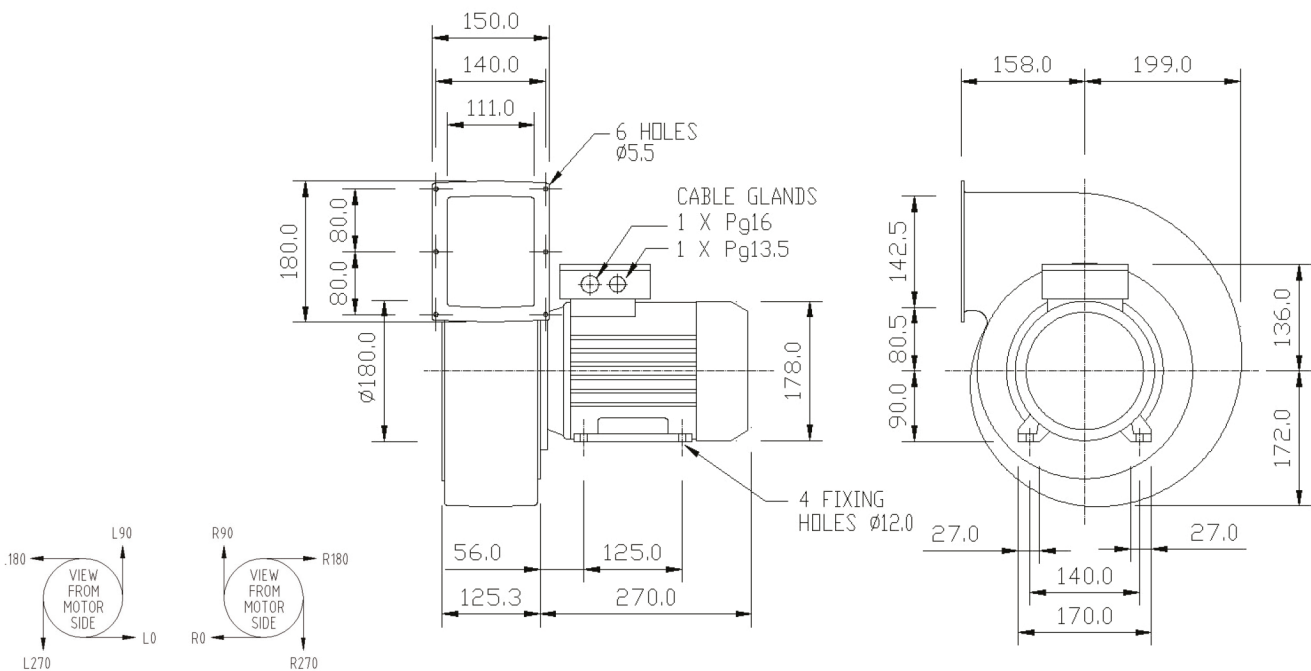
Please note - image above may not be representative of the unit supplied]

<b>Motor type:</b>	Squirrel cage induction motor IP55 as std
<b>Nominal supply:</b>	380/420VY / 200/240VD 3Ph 50hz 440/480VY / 250/280VD 3Ph 60Hz
<b>Options:</b>	Inlet & discharge guards, Inlet filters, Spigots
<b>Materials:</b>	Fancase: Cast aluminium LM6 Impellers: Galvanised sheet steel
<b>Finishes:</b>	Unpainted/Stove enamel (black) as std
<b>Mounting options:</b>	Motor feet or Pedestal
<b>Noise levels:</b>	80dB(A) Free Air, 1M
<b>Weight:</b>	16Kgs / 35Lbs
<b>Motor variations:</b>	ATEX, CE, CSA, UL available



### Outline dimensions:

[note: motor shown is for 50Hz performance. Motor dimensions for 60Hz operation may vary]



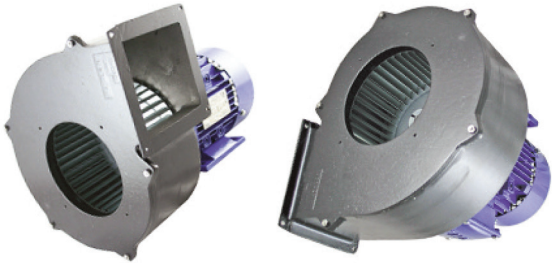
Please note (1) - all drawings measurements are in millimeters (mm)  
Please note (2) - above technical specifications are subject to change

**Air Control Industries Ltd**  
Weycroft Avenue, Millwey Rise Industrial Estate,  
Axminster, Devon, EX13 5HU, United Kingdom  
Tel: +44(0)1297 529242 Fax: +44(0)1297 529241  
Email: sales@aircontrolindustries.com  
[www.aircontrolindustries.com](http://www.aircontrolindustries.com)

# Centrifugal Fan VBW6

## Single Inlet Centrifugal Fan

### General Characteristics:



**Motor type:** Squirrel cage induction motor IP55 as std, IP65 available

**Nominal supply:** 220/240V or 115V 1Ph 50/60Hz  
380/420VY / 220/240VD 3Ph 50Hz  
440/480VY / 250/280VD 3Ph 60Hz

**Options:** Inlet & discharge guards, Inlet filters, Spigots

**Materials:** Fancase: Cast aluminium LM6  
Impellers: Galvanised sheet steel

**Finishes:** Unpainted/Stove enamel (black) as std

**Mounting options:** Motor feet or Pedestal

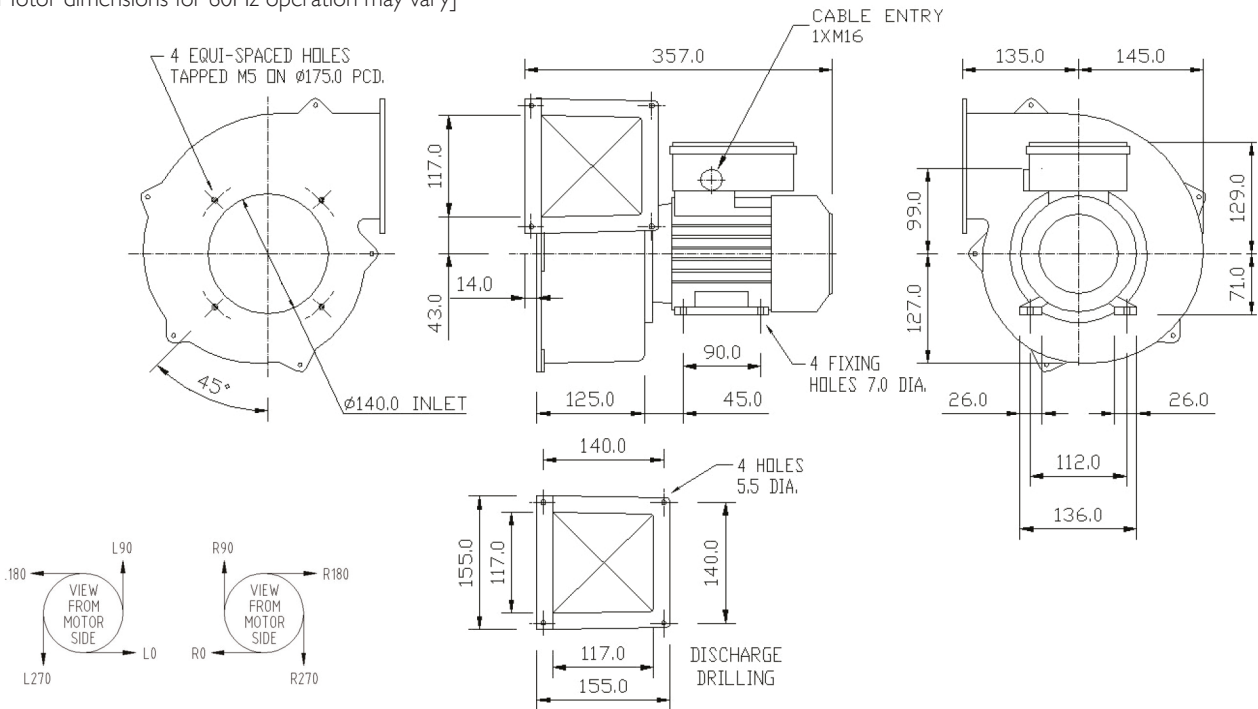
**Noise levels:** 86.5dB(A) Free Air, 1M

**Weight:** 14Kgs / 31Lbs

**Motor variations:** ATEX, CE, CSA, UL available

### Outline dimensions:

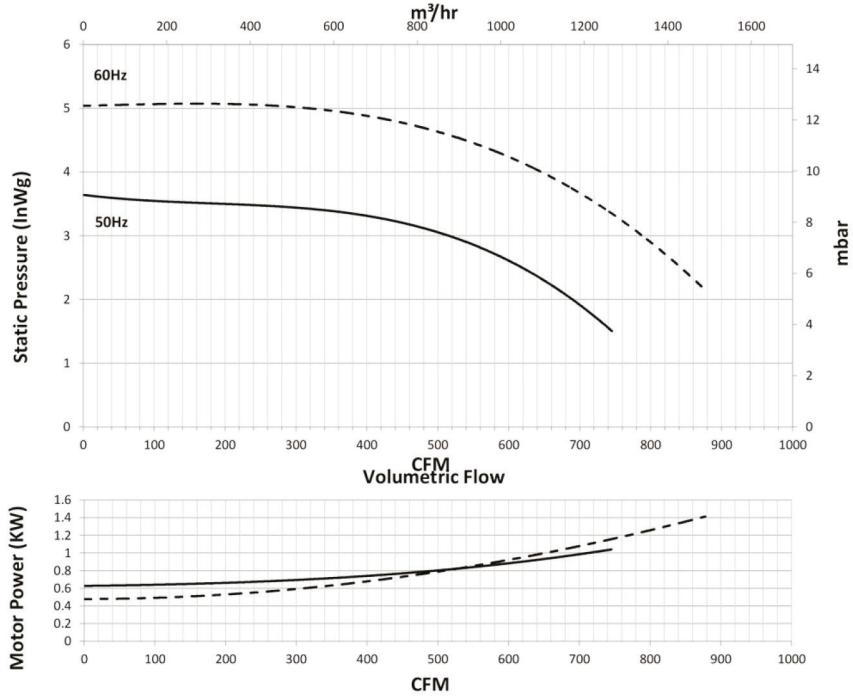
[note: motor shown is for 50Hz performance.  
Motor dimensions for 60Hz operation may vary]



### Please note:

- 1 - all drawings measurements are in millimeters (mm)
- 2 - above technical specifications are subject to change
- 3 - Images used may not be representative of the fan supplied

ref:VBW6 2014/V1



### Air Control Industries Ltd

Weycroft Avenue, Millway Rise Industrial Estate,  
Axminster, Devon, EX13 5HU, United Kingdom  
Tel: +44(0)1297 529242 Fax: +44(0)1297 529241  
Email: sales@aircontrolindustries.com

[www.aircontrolindustries.com](http://www.aircontrolindustries.com)

# Centrifugal Fan VBW7

## Single Inlet Centrifugal Fan (2 & 4 Pole)

### General Characteristics:



**Motor type:** Squirrel cage induction motor IP55 as std, IP65 available

**Nominal supply:** 220/240V or 115V 1Ph 50/60Hz  
380/420VY / 220/240VD 3Ph 50Hz  
440/480VY / 250/280VD 3Ph 60Hz

**Options:** Inlet & discharge guards, Inlet filters, Spigots

**Materials:** Fancase: Cast aluminium LM6  
Impellers: Galvanised sheet steel

**Finishes:** Unpainted/Stove enamel (black) as std

**Mounting options:** Motor feet or Pedestal

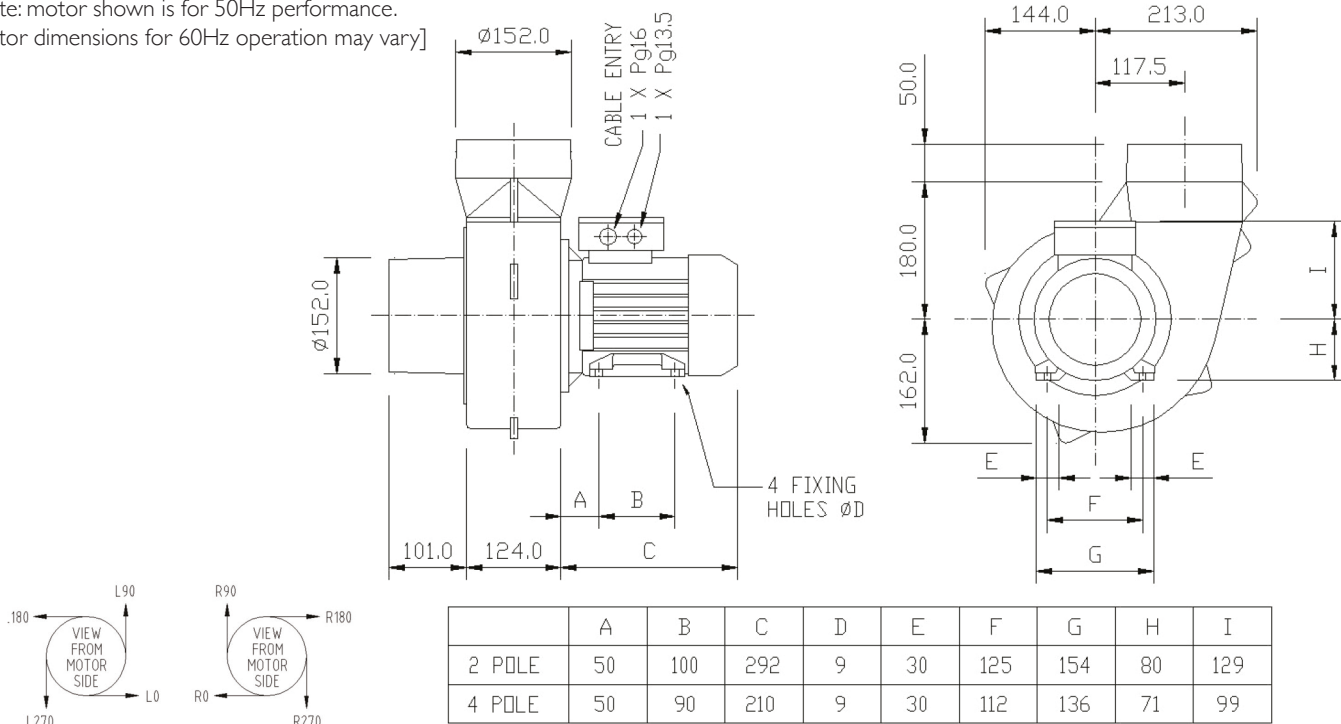
**Noise levels:** 94dB(A) for 2 Pole, Free Air, IM  
73dB(A) for 4 Pole, Free Air, IM

**Weight:** 14Kgs / 31Lbs

**Motor variations:** ATEX, CE, CSA, UL available

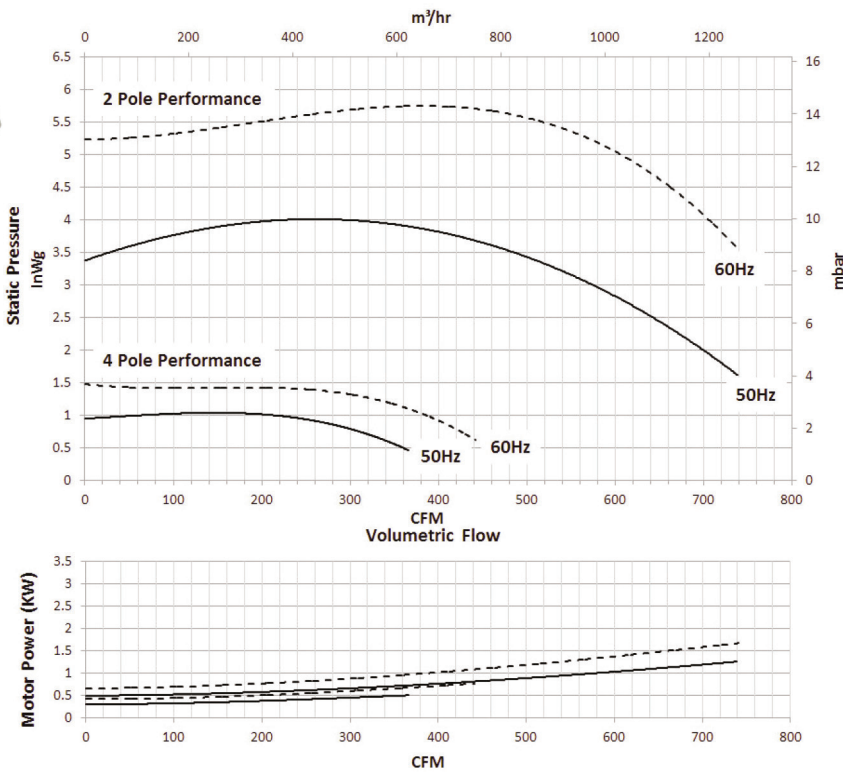
### Outline dimensions:

[note: motor shown is for 50Hz performance.  
Motor dimensions for 60Hz operation may vary]



**Please note:**

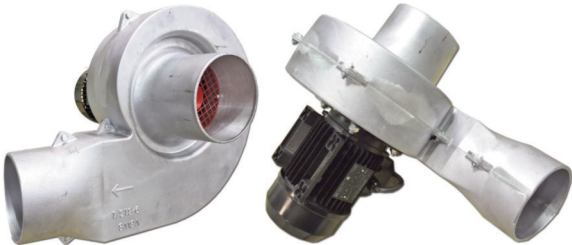
- 1 - all drawings measurements are in millimeters (mm)
- 2 - above technical specifications are subject to change
- 3 - Images used may not be representative of the fan supplied



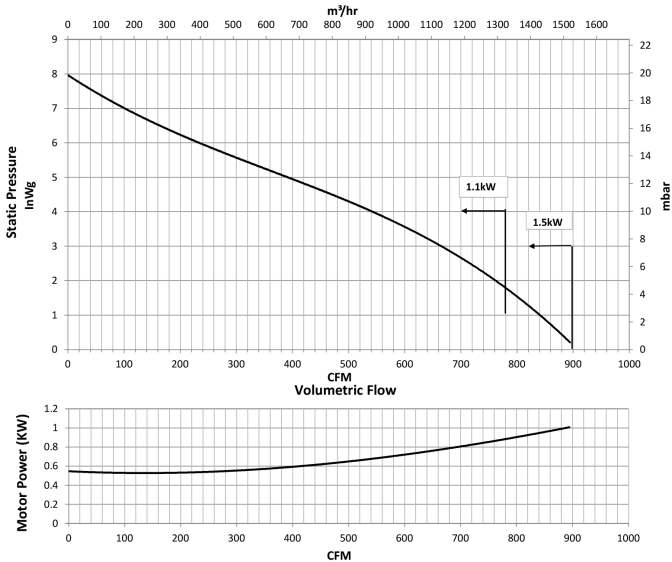
# Centrifugal Fan VBW8

## Single Inlet Centrifugal Fan

### General Characteristics:

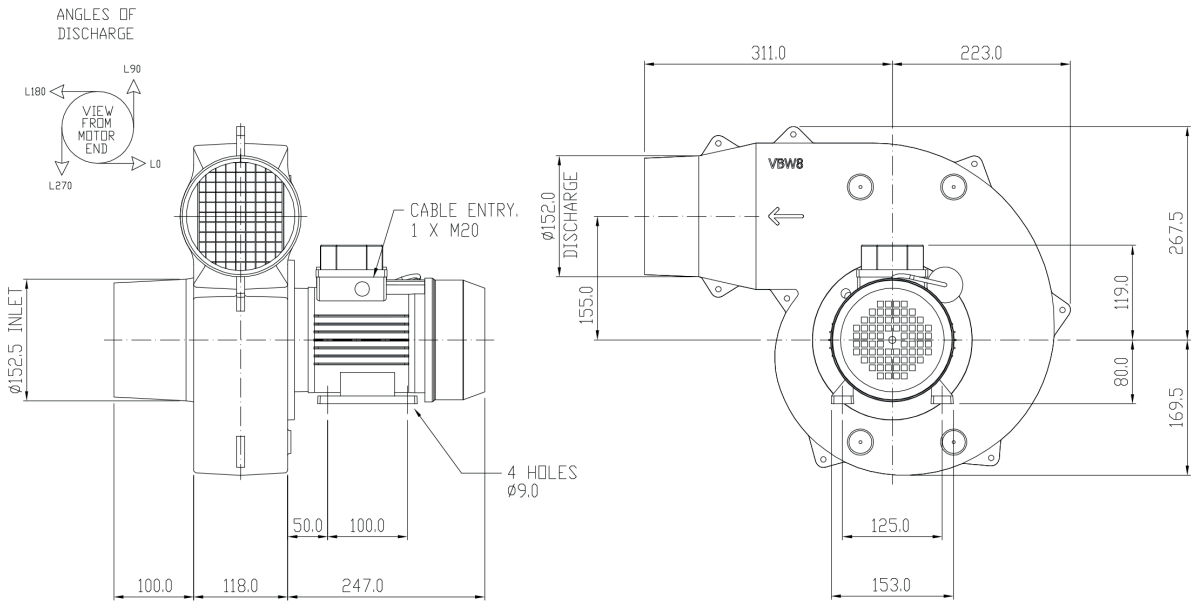


<b>Motor type:</b>	Squirrel cage induction motor IP55 as standard, IP65 available
<b>Nominal supply:</b>	690/400V 3Ph 50Hz 720/460V 3Ph 60Hz
<b>Options:</b>	Inlet & discharge guards, Inlet filters, Spigots
<b>Materials:</b>	Fancase: Cast aluminium LM6 Impellers: Steel
<b>Finishes:</b>	Unpainted/Stove enamel (black) as standard
<b>Mounting options:</b>	Motor feet or Pedestal
<b>Noise Levels:</b>	89dB(A) Free Air, 1M
<b>Weight:</b>	19Kgs / 42Lbs
<b>Motor Variations:</b>	ATEX, CE, CSA, UL available



### Other dimensions:

[note: motor shown is for 50Hz performance. Motor dimensions for 60Hz operation may vary]



**Please note:**  
 1 - all drawings measurements are in millimeters (mm)  
 2 - above technical specifications are subject to change  
 3 - Images used may not be representative of the fan supplied

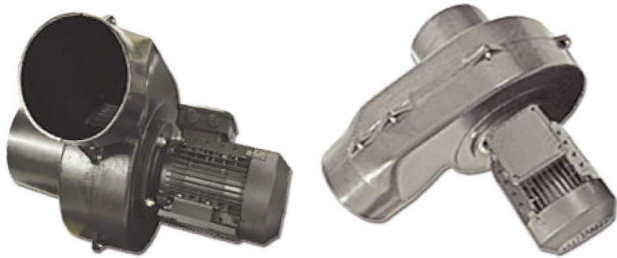
ref:VBW8 2016/V1

**Air Control Industries Ltd**  
 Weycroft Avenue, Millwey Rise Industrial Estate,  
 Axminster, Devon, EX13 5HU, United Kingdom  
 Tel: +44(0)1297 529242 Fax: +44(0)1297 529241  
 Email: sales@aircontrolindustries.com  
[www.aircontrolindustries.com](http://www.aircontrolindustries.com)

# Centrifugal Fan VBW9

## Single Inlet Centrifugal Fan

### General Characteristics:



**Motor type:** Squirrel cage induction motor IP55 as std

**Nominal supply:** 380/420VY / 220/240VD 3Ph 50Hz  
440/480VY / 250/280VD 3Ph 60Hz  
1Ph available

**Options:** Inlet & discharge guards, Inlet filters, Spigots

**Materials:** Fancase: Cast aluminium LM6  
Impellers: Galvanised sheet steel

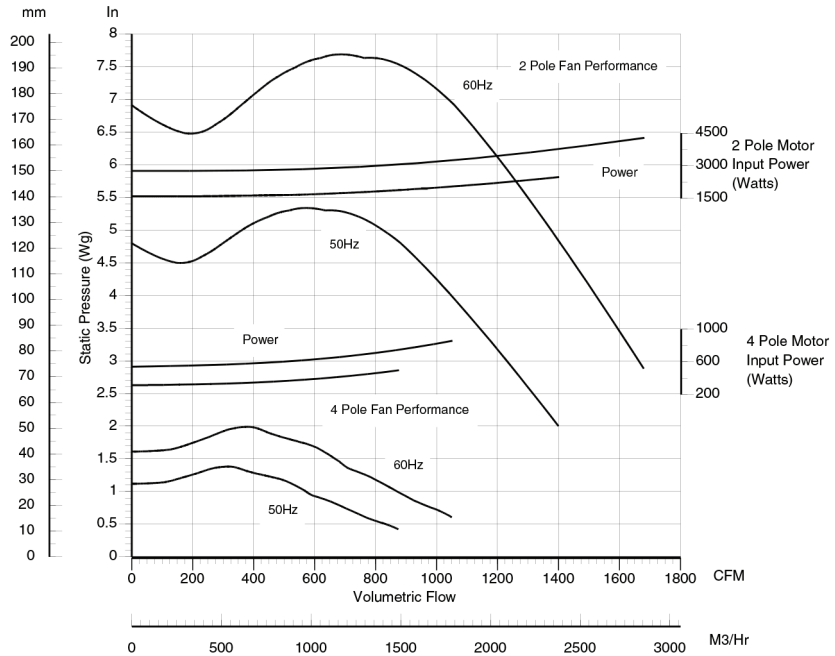
**Finishes:** Unpainted/Stove enamel (black) as std

**Mounting options:** Motor feet or Pedestal

**Noise levels:** 94dB(A) for 2 Pole, Free Air, IM  
73dB(A) for 4 Pole, Free Air, IM

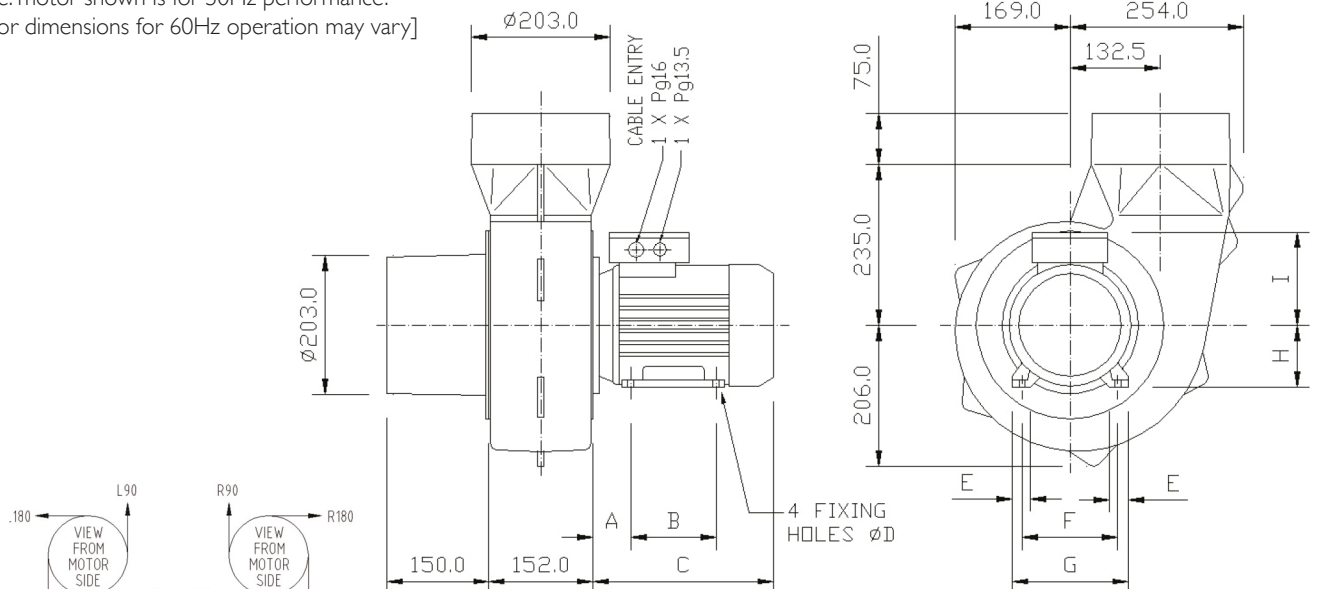
**Weight:** 30Kgs / 66Lbs

**Motor variations:** ATEX, CE, CSA, UL available



### Outline dimensions:

[note: motor shown is for 50Hz performance.  
Motor dimensions for 60Hz operation may vary]



	A	B	C	D	E	F	G	H	I
2 POLE	56	125	265	12	27	140	170	90	136
4 POLE	50	90	210	9	20	112	136	71	99

**Please note:**

- 1 - all drawings measurements are in millimeters (mm)
- 2 - above technical specifications are subject to change
- 3 - Images used may not be representative of the fan supplied

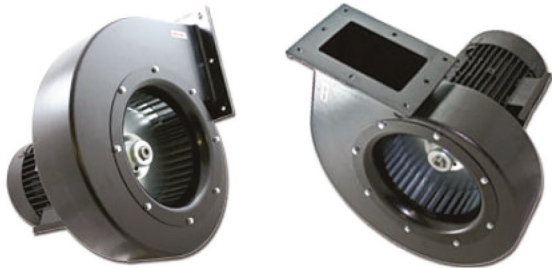
**Air Control Industries Ltd**

Weycroft Avenue, Millwey Rise Industrial Estate,  
Axminster, Devon, EX13 5HU, United Kingdom  
Tel: +44(0)1297 529242 Fax: +44(0)1297 529241  
Email: sales@aircontrolindustries.com

# Centrifugal Fan MR280L

## Single Inlet Centrifugal Fan (2 & 4 Pole)

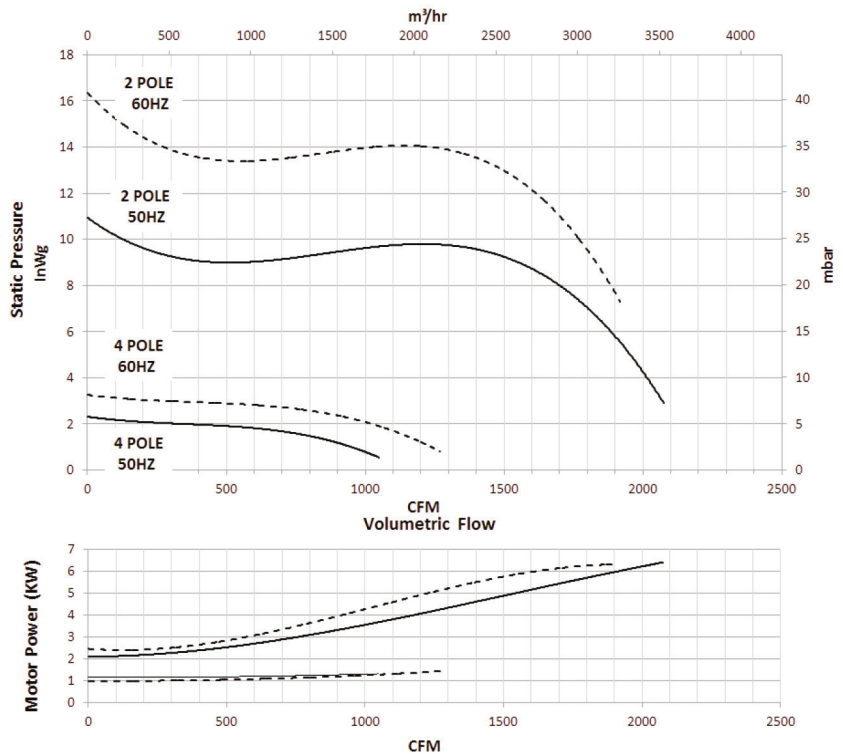
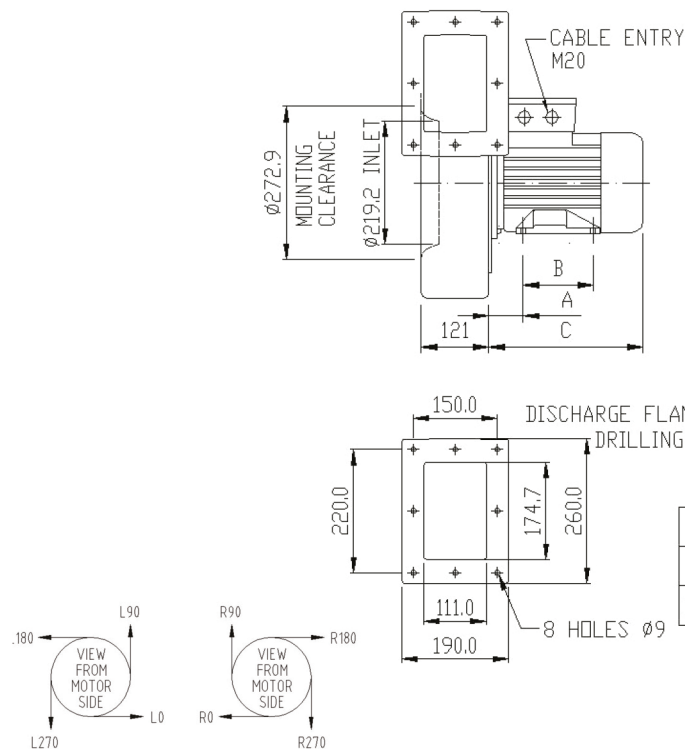
### General Characteristics:



<b>Motor type:</b>	Squirrel cage induction motor IP55 as std
<b>Nominal supply:</b>	380/420VY / 220/240VD 3Ph 50Hz 440/480VY / 250/280VD 3Ph 60Hz
<b>Options:</b>	Inlet & discharge guards, Inlet filters, Spigots
<b>Materials:</b>	Fancase: Cast aluminium LM6 Impellers: Galvanised sheet steel
<b>Finishes:</b>	Unpainted/Stove enamel (black) as std
<b>Mounting options:</b>	Motor feet or Pedestal
<b>Noise levels:</b>	95dB(A) Free Air, 1M
<b>Weight:</b>	37Kgs / 82Lbs
<b>Motor variations:</b>	ATEX, CE, CSA, UL available

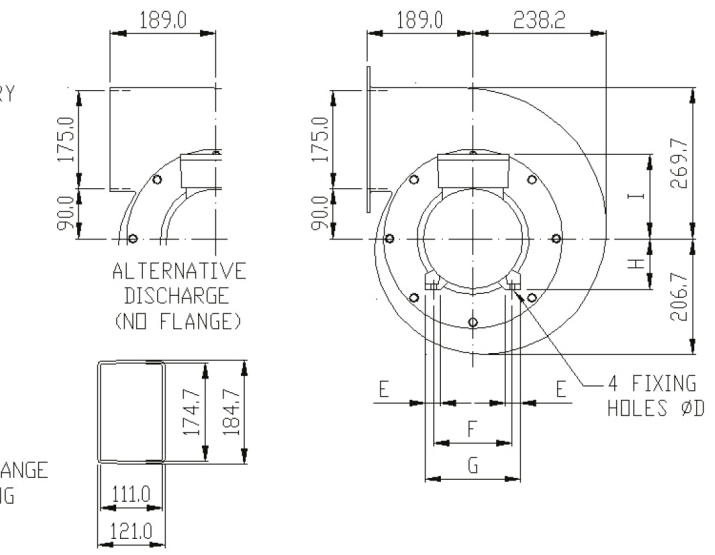
### Outline dimensions:

[note: motor shown is for 50Hz performance.  
Motor dimensions for 60Hz operation may vary]



**Please note:**

- 1 - all drawings measurements are in millimeters (mm)
- 2 - below technical specifications are subject to change
- 3 - Images used may not be representative of the fan supplied



	A	B	C	D	E	F	G	H	I
90F MTR 3KW	61	125	275	9	27	140	170	90	151
112F MTR 4KW	75	140	306	12	41	190	222	112	146

**Air Control Industries Ltd**

Weycroft Avenue, Millwey Rise Industrial Estate,  
Axminster, Devon, EX13 5HU, United Kingdom  
Tel: +44(0)1297 529242 Fax: +44(0)1297 529241  
Email: sales@aircontrolindustries.com

[www.aircontrolindustries.com](http://www.aircontrolindustries.com)

# Centrifugal Fan MR315L

## 2 Pole Single Inlet Centrifugal Fan

### General Characteristics:



- Motor type:** Squirrel cage induction motor IP55 as std, IP65 available

---

- Nominal supply:** 380/420VY / 220/240VD 3Ph 50Hz  
440/480VY / 250/280VD 3Ph 60Hz

---

- Options:** Inlet & discharge guards, Inlet filters, Spigots

---

- Materials:** Fancase: Cast aluminium LM6  
Impellers: Galvanised sheet steel

---

- Finishes:** Unpainted / Stove enamel (black) as std

---

- Mounting options:** Motor feet or Pedestal

---

- Noise levels:** 96dB(A) Free Air, 1M

---

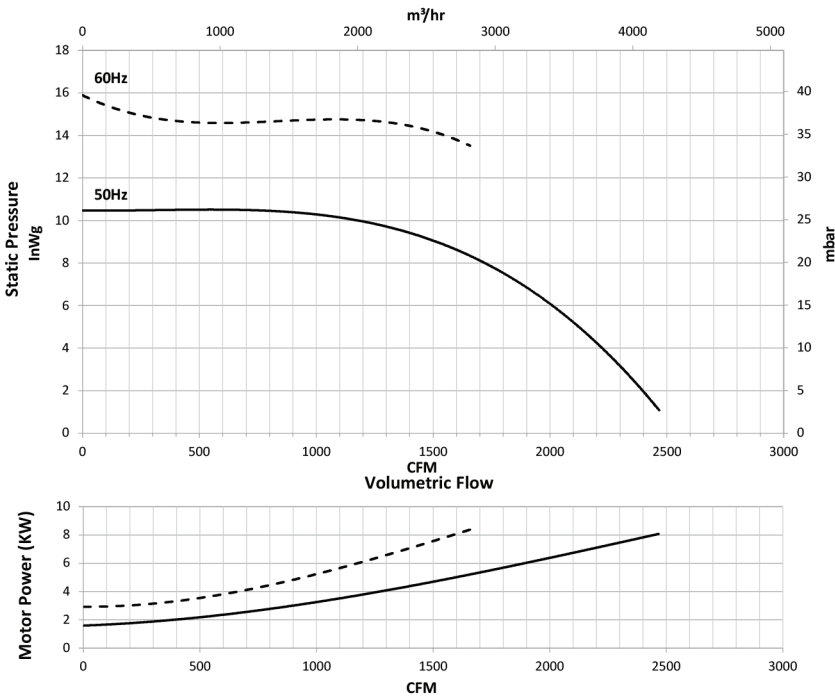
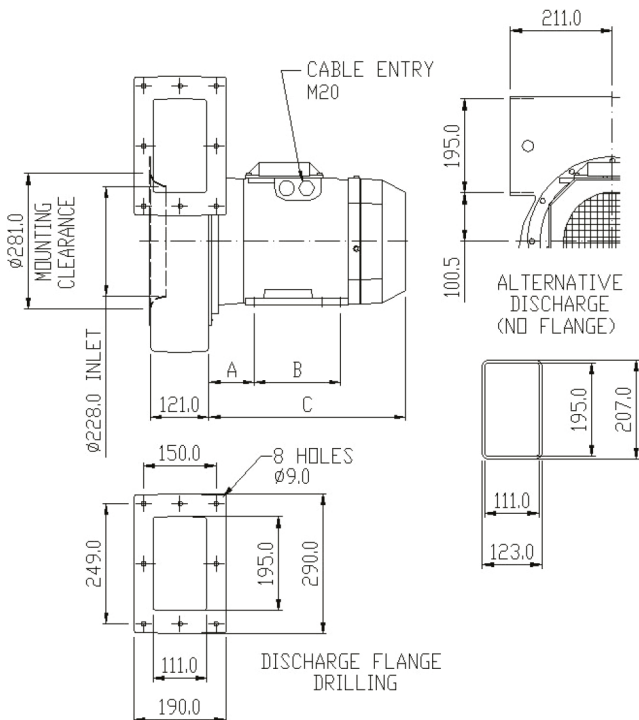
- Weight:** 71Kgs / 157Lbs

---

- Motor variations:** ATEX, CE, CSA, UL available

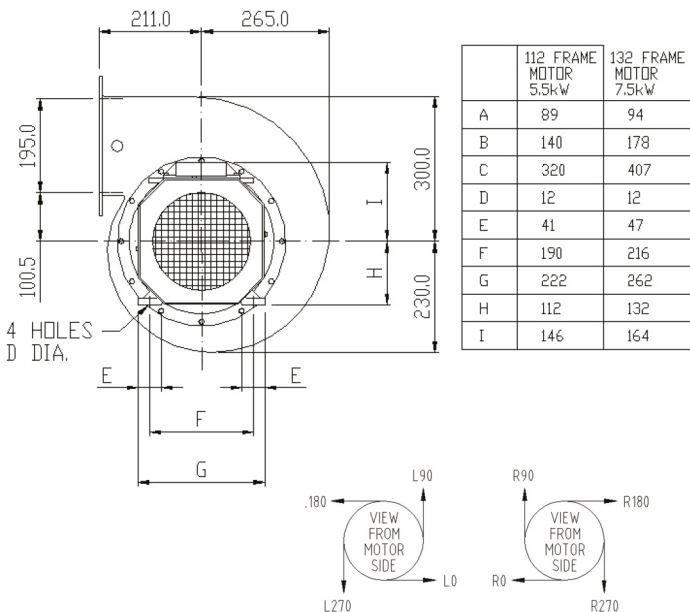
### Outline dimensions:

[note: motor shown is for 50Hz performance.  
Motor dimensions for 60Hz operation may vary]



**Please note:**

- 1 - all drawings measurements are in millimeters (mm)
- 2 - below technical specifications are subject to change
- 3 - Images used may not be representative of the fan supplied



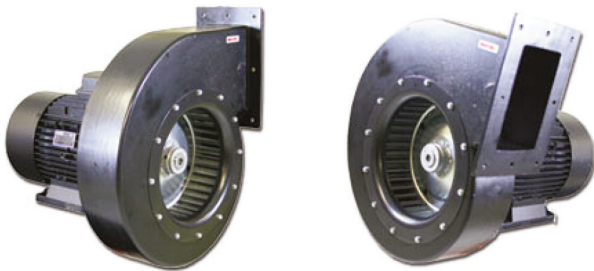
**Air Control Industries Ltd**  
 Weycroft Avenue, Millwey Rise Industrial Estate,  
 Axminster, Devon, EX13 5HU, United Kingdom  
 Tel: +44(0)1297 529242 Fax: +44(0)1297 529241  
 Email: sales@aircontrolindustries.com

[www.aircontrolindustries.com](http://www.aircontrolindustries.com)

# Centrifugal Fan MR315W

## 2 Pole Single Inlet Centrifugal Fan

### General Characteristics:



**Motor type:** Squirrel cage induction motor IP55 as std, IP65 available

**Nominal supply:** 380/420VY / 220/240VD 3Ph 50Hz  
440/480VY / 250/280VD 3Ph 60Hz

**Ancillaries:** Inlet & discharge guards, Inlet filters, Spigots

**Materials:** Fancase: Mild steel painted  
Impellers: Galvanised sheet steel

**Finishes:** Unpainted / Stove enamel (black) as std

**Mounting options:** Motor feet or Pedestal

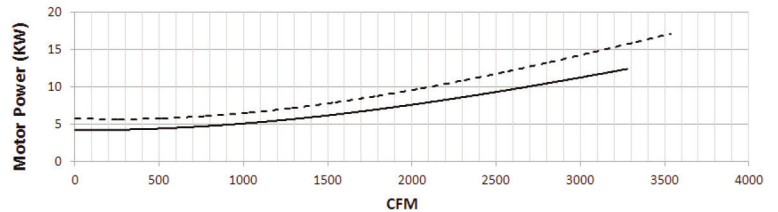
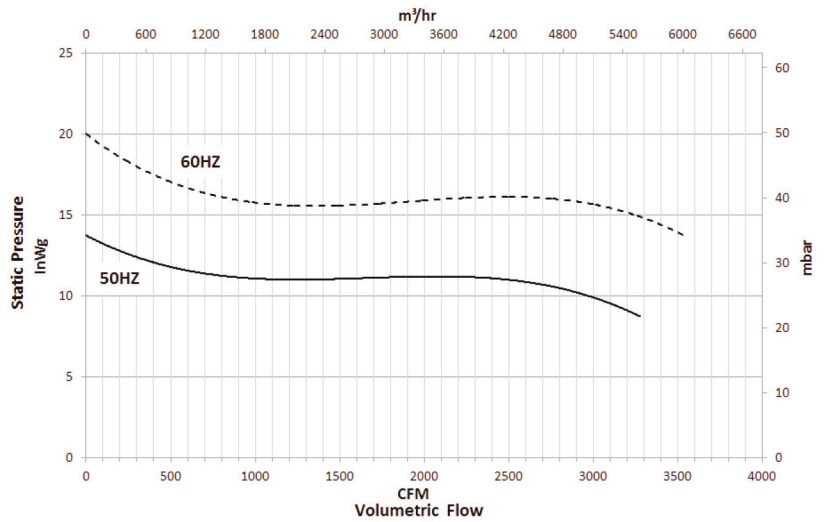
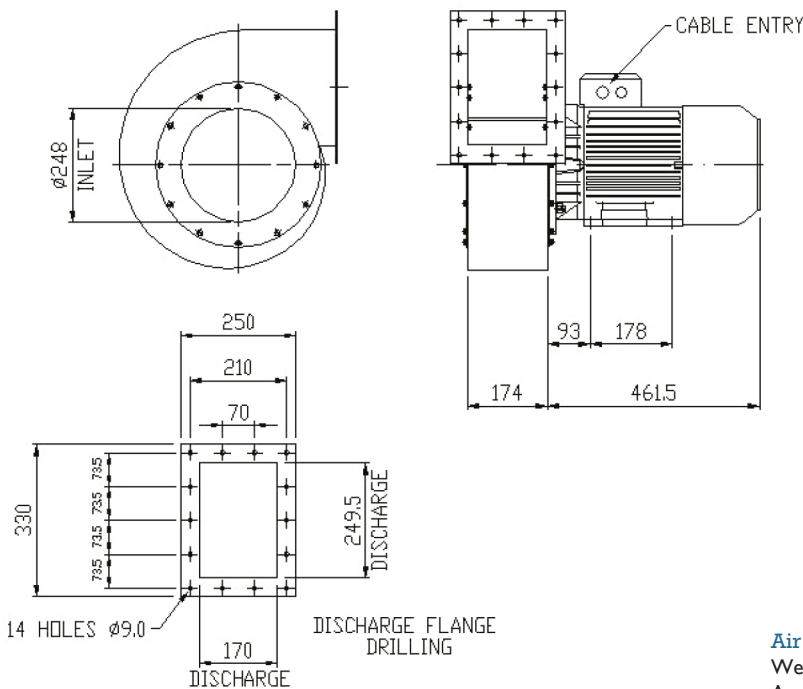
**Noise levels:** 99dB(A) Free Air, 1M

**Weight:** 51.5Kgs / 113.5Lbs

**Motor variations:** ATEX, CE, CSA, UL available

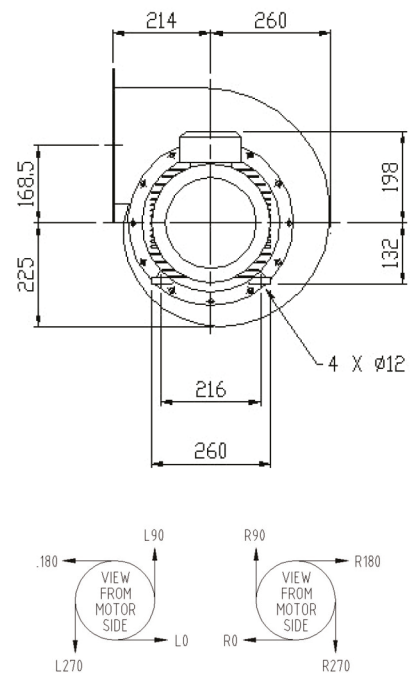
### Outline dimensions:

[note: motor shown is for 50Hz performance.  
Motor dimensions for 60Hz operation may vary]



### Please note:

- 1 - all drawings measurements are in millimeters (mm)
- 2 - below technical specifications are subject to change
- 3 - Images used may not be representative of the fan supplied



### Air Control Industries Ltd

Weycroft Avenue, Millwey Rise Industrial Estate,  
Axminster, Devon, EX13 5HU, United Kingdom  
Tel: +44(0)1297 529242 Fax: +44(0)1297 529241  
Email: sales@aircontrolindustries.com

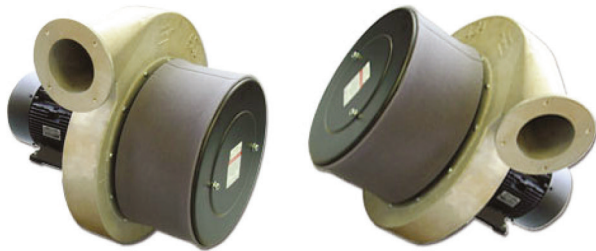
[www.aircontrolindustries.com](http://www.aircontrolindustries.com)



# Centrifugal Fan MR480M

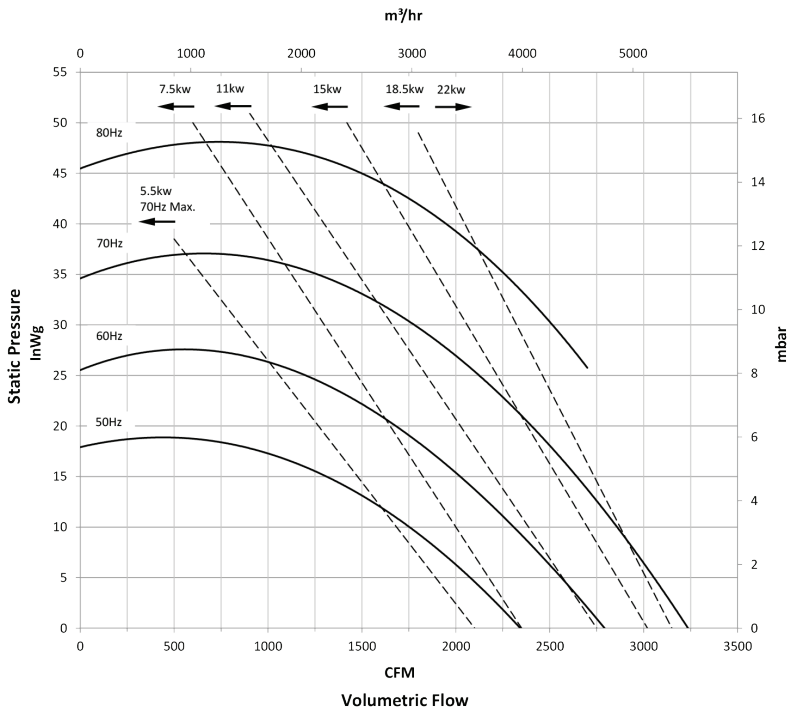
## Single Inlet Centrifugal Fan

### General Characteristics:



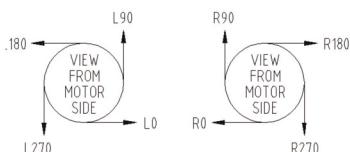
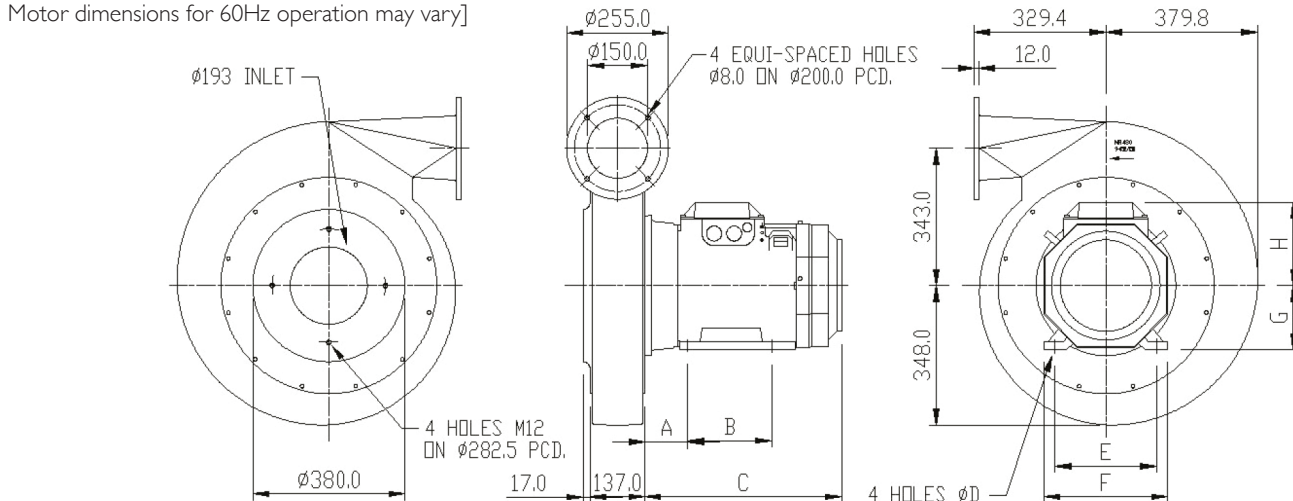
Please note - image above may not be representative of the unit supplied]

<b>Motor type:</b>	Squirrel cage induction motor IP55 as std, IP65 available
<b>Nominal supply:</b>	690/400V 3Ph 50Hz 720/460V 3Ph 60Hz
<b>Options:</b>	Inlet & discharge guards, Inlet filters, Spigots
<b>Materials:</b>	Fancase: Cast aluminium LM6 Impellers: Steel
<b>Finishes:</b>	Unpainted/Stove enamel (black) as std
<b>Mounting options:</b>	Motor feet or Pedestal
<b>Noise levels:</b>	84.2dB(A) Free Air, 1M
<b>Weight:</b>	148Kgs / 326Lbs (fitted with I32 frame motor, 11kW)
<b>Motor variations:</b>	ATEX, CE, CSA, UL available



### Outline dimensions:

[note: motor shown is for 50Hz performance. Motor dimensions for 60Hz operation may vary]



	A	B	C	D	E	F	G	H
132F MTR 7.5KW	89	140	408	10	216	260	132	198
160F MTR 15KW	108	210	503	12	254	292	160	246
180F MTR 22KW	121	241	602	12	279	330	180	266
200F MTR 30KW	133	305	669	16	318	380	200	341

Please note (1) - all drawings measurements are in millimeters (mm)  
Please note (2) - above technical specifications are subject to change

**Air Control Industries Ltd**  
Weycroft Avenue, Millwey Rise Industrial Estate,  
Axminster, Devon, EX13 5HU, United Kingdom  
Tel: +44(0)1297 529242 Fax: +44(0)1297 529241  
Email: sales@aircontrolindustries.com

[www.aircontrolindustries.com](http://www.aircontrolindustries.com)